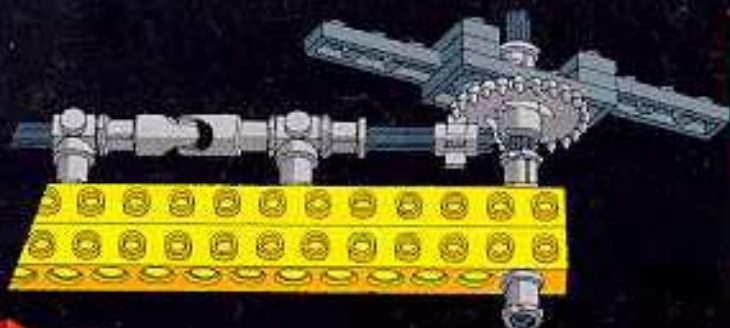


8888

Expert Builder

Ages 9-14



LEGO



Here's a new challenge for the Expert Builder!

THE LEGO® EXPERT BUILDER IDEA BOOK

Now that you have started to collect Expert Builder Sets, you've practiced building with precise technical elements. You know how to combine axles and gear wheels; you've built pistons that move up and down like the real thing; you've used gears and ratchets to move and steer your models. Now you're ready for a new challenge - a whole book of ideas for new models that you can build with the elements from your Expert Builder collection.

This book contains ideas and plans for a helicopter, an airplane, cranes, cars, robots, farm machinery and more. There are detailed building instructions for 11 different models plus ideas for even more. Since you may not have every element pictured in these models, you can test your skill as an Expert Builder by combining the elements from your LEGO collection in new ways. Here are some building hints that should be helpful:

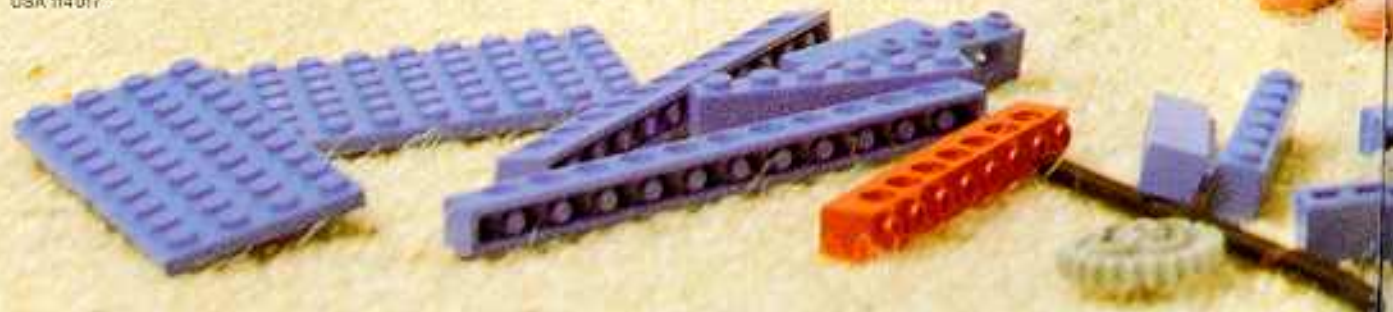
BUILDING HINTS

1. The book is designed so that the models pictured are "easier" in the beginning and become increasingly more difficult as the book progresses.
2. You can find the detailed instructions for the models in the photographs by following the colored line that will lead you from the photograph to the first construction step. These detailed instructions are divided into individual construction phases. Each phase is numbered starting with number one.
3. If you do not have an element pictured in the construction, combine the elements you do have to duplicate as closely as possible the unit or function that is pictured. This way, you'll learn to use the elements from your collection to create new functions and new constructions.
4. If a step in the instruction seems difficult to understand, it often helps to look at the earlier and later stages.
5. As you build, test and adjust all moving parts, such as gear wheels and axles, to run freely and easily. This will assure that your finished model will function smoothly.

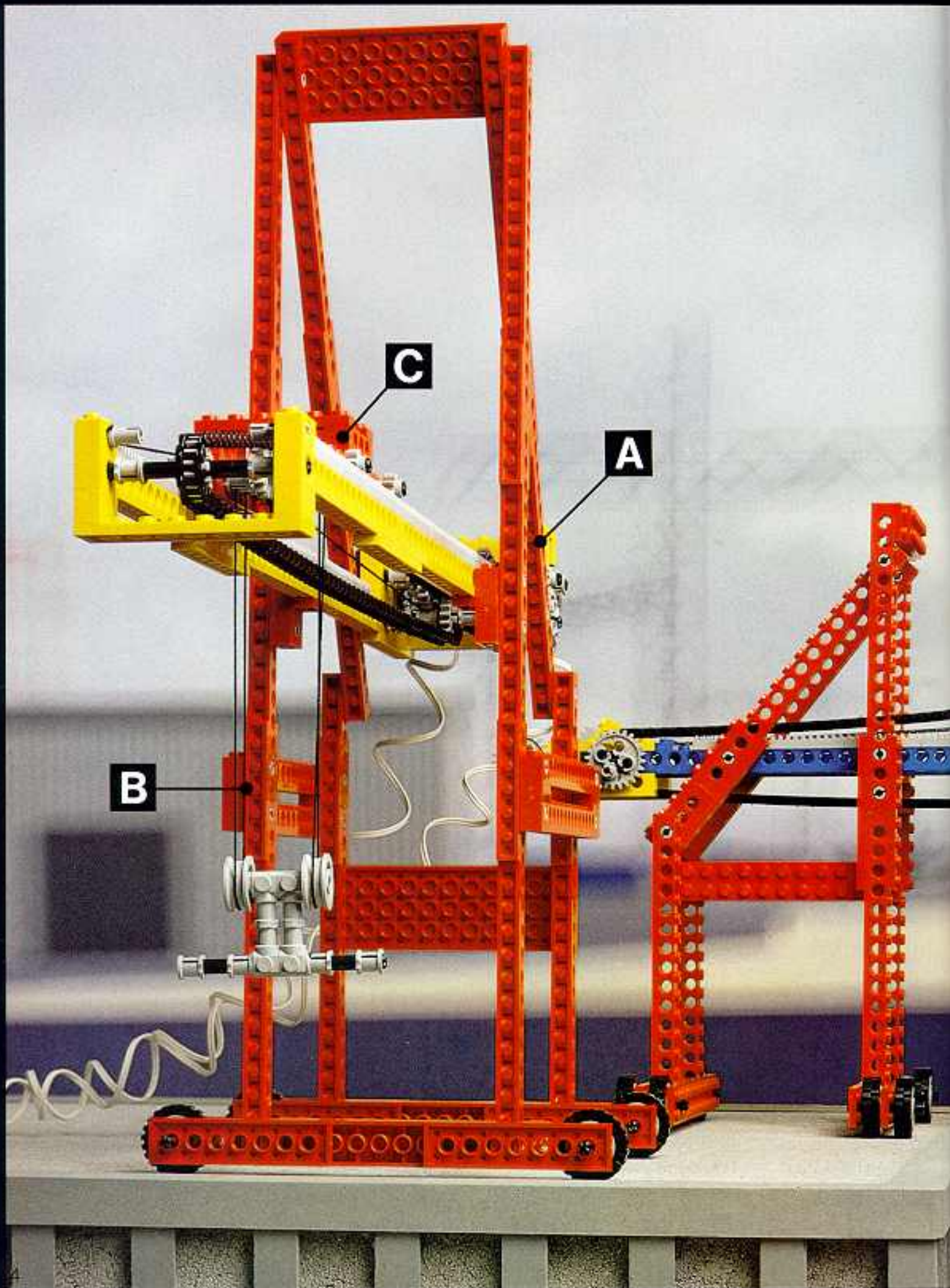
Now you're ready to build a whole new range of Expert Builder models. So happy building - - you've got hours of challenge and fun ahead.

NEW EXPERT BUILDER PARTS PACKS - - Seven, brand new supplementary sets, each containing unique building elements, such as gears, piston heads and special girder beams, are now available through the mail! For complete information about these sets and other accessory items, including our new LEGO® Storage Case, write to Susan Williams/Consumer Services Dept., 555 Taylor Road, Enfield, CT 06082.

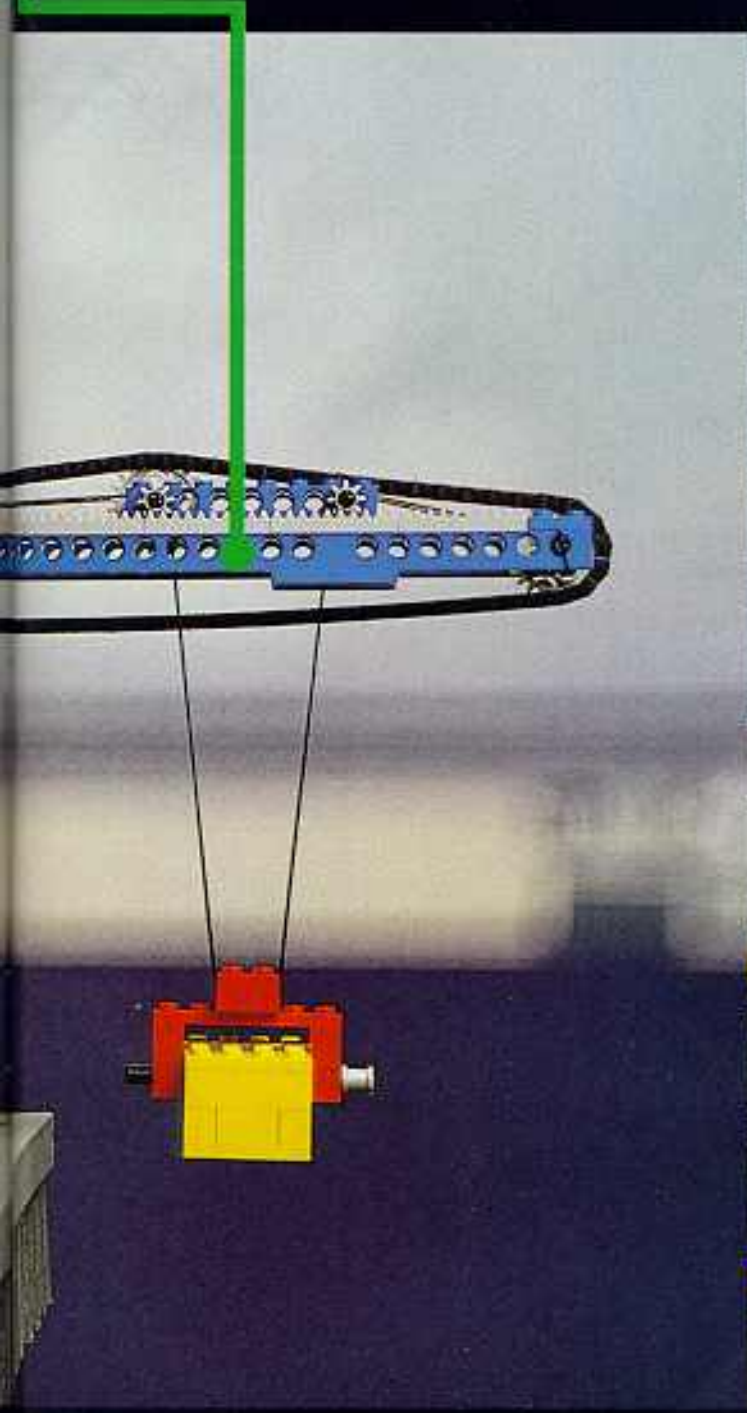
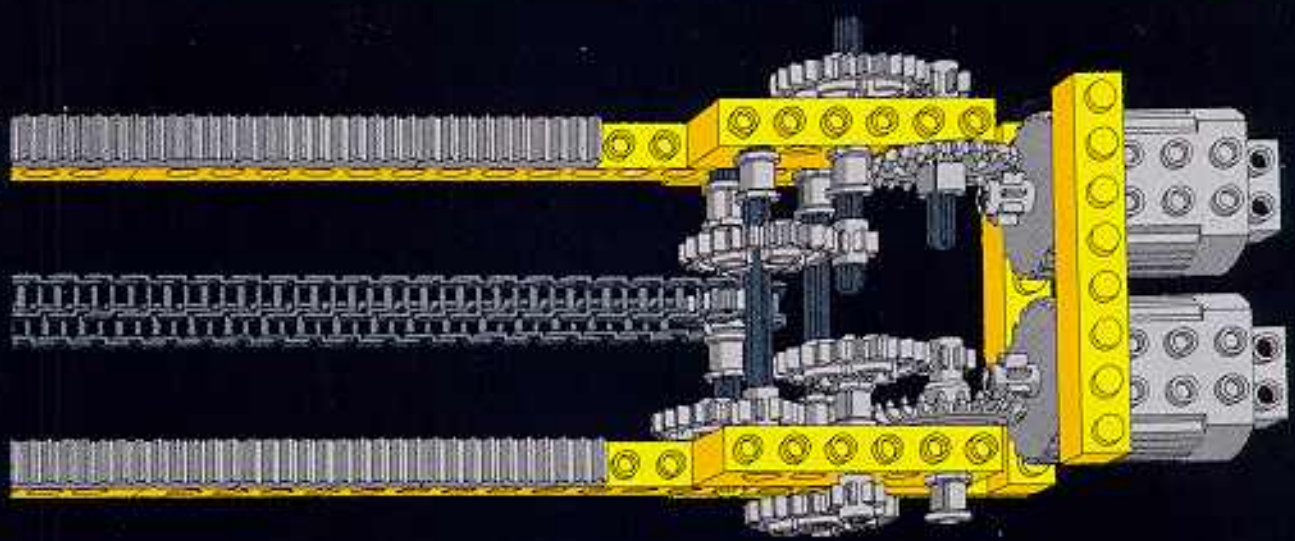
USA 114 017



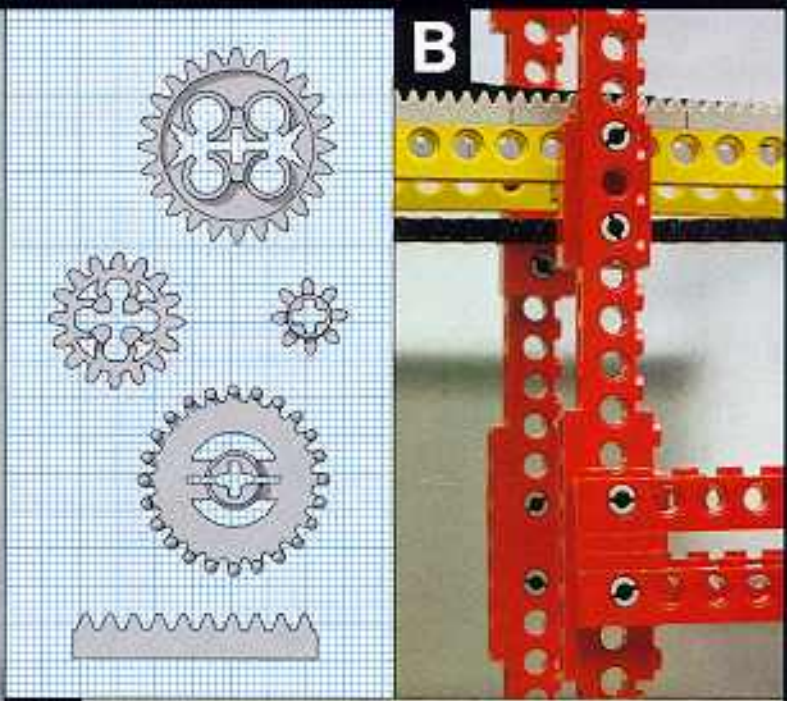




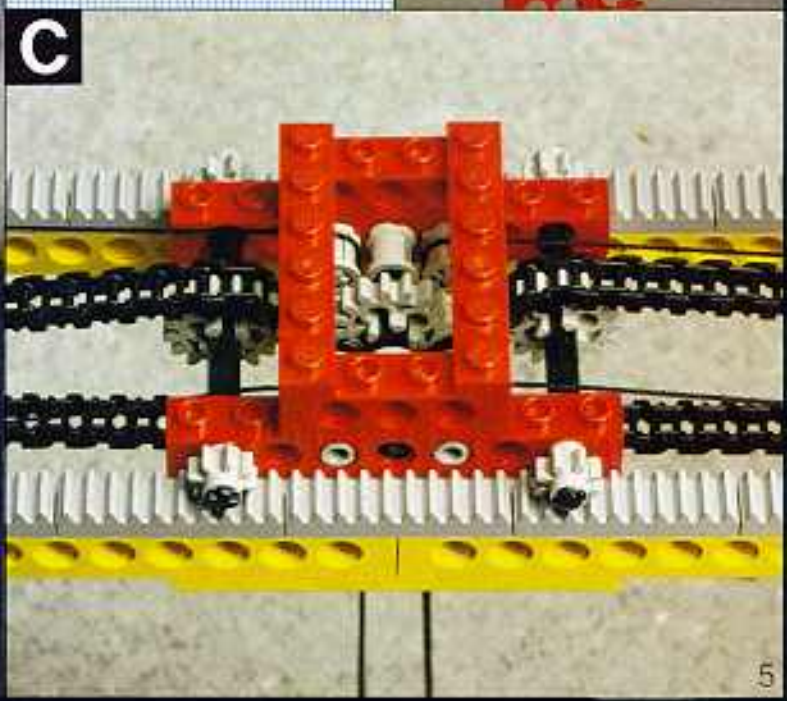
A

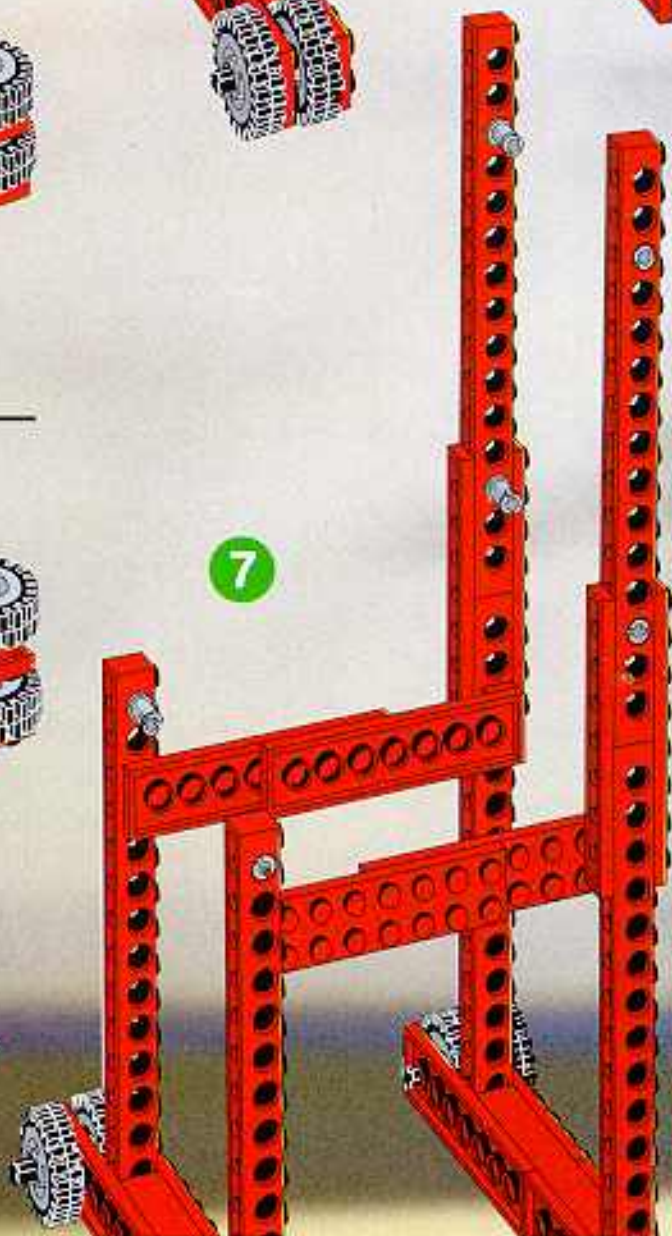
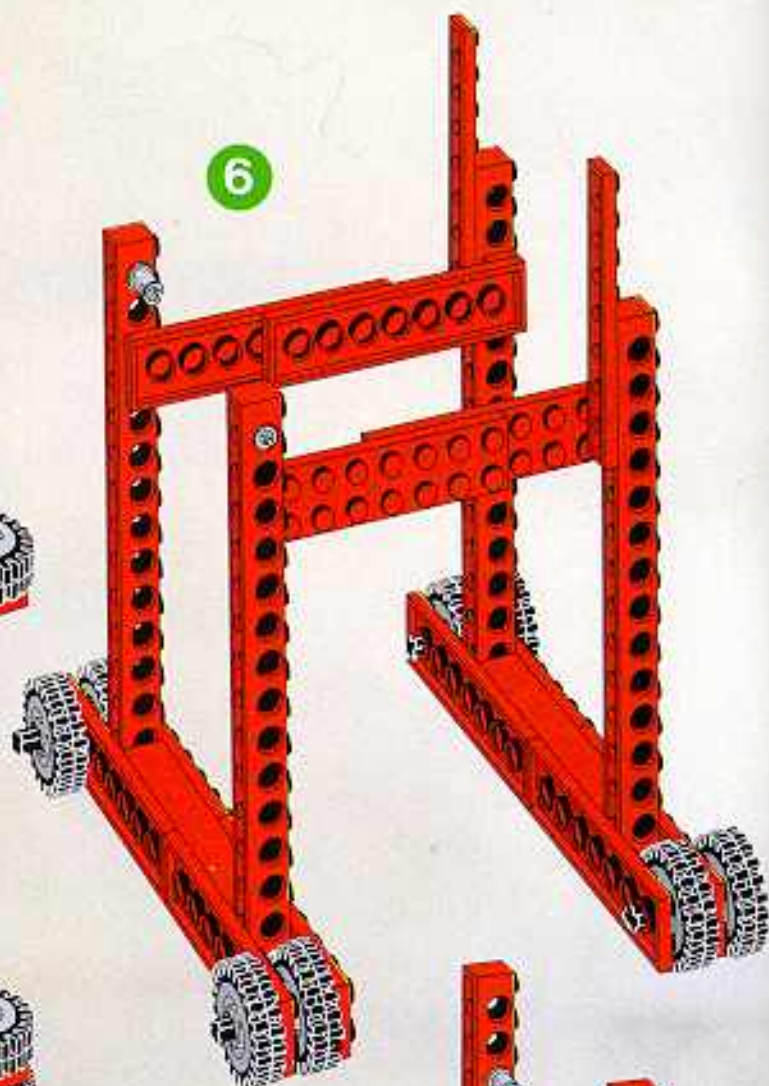
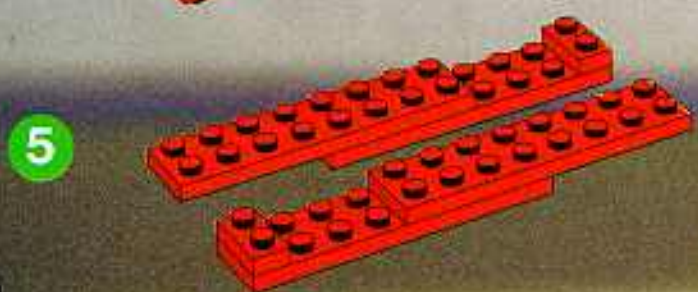
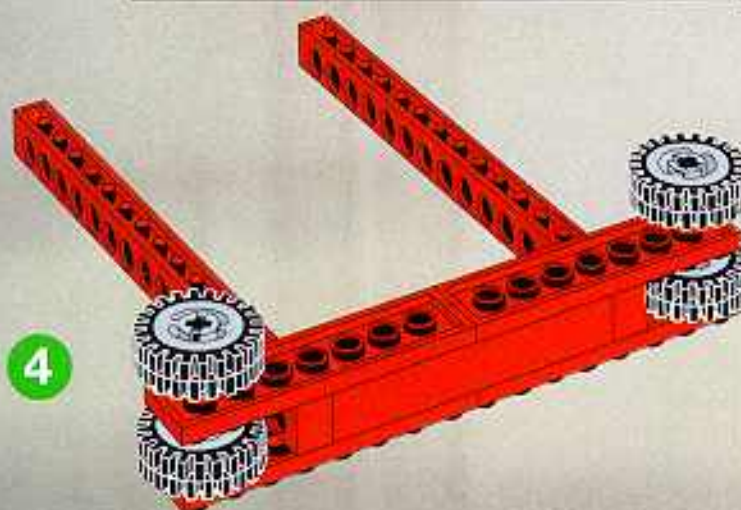
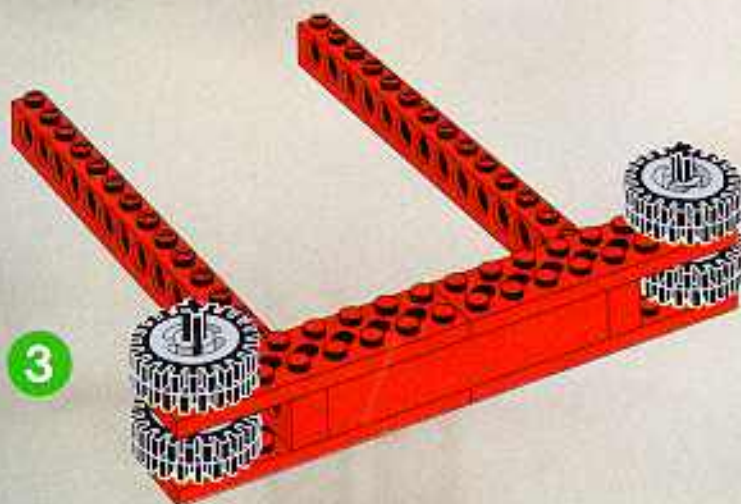
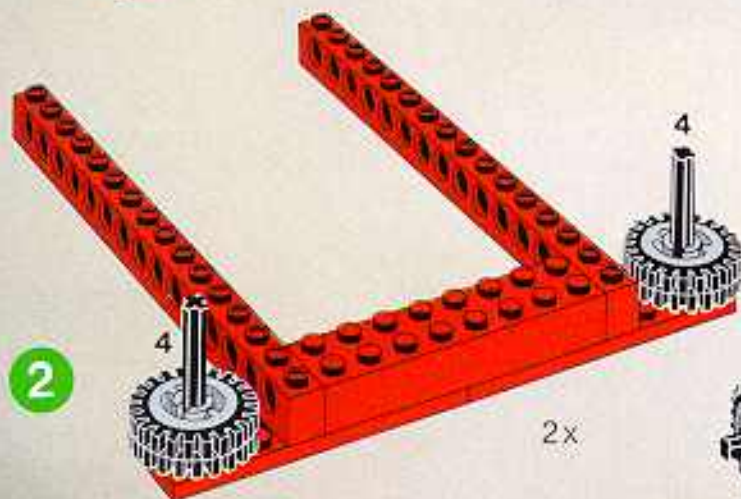
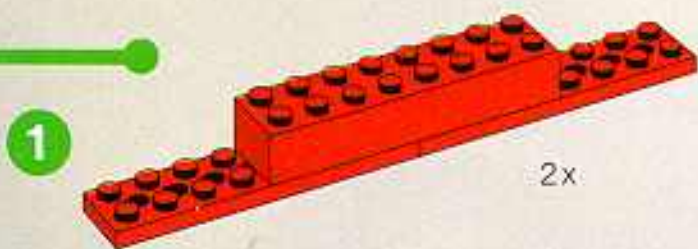


B

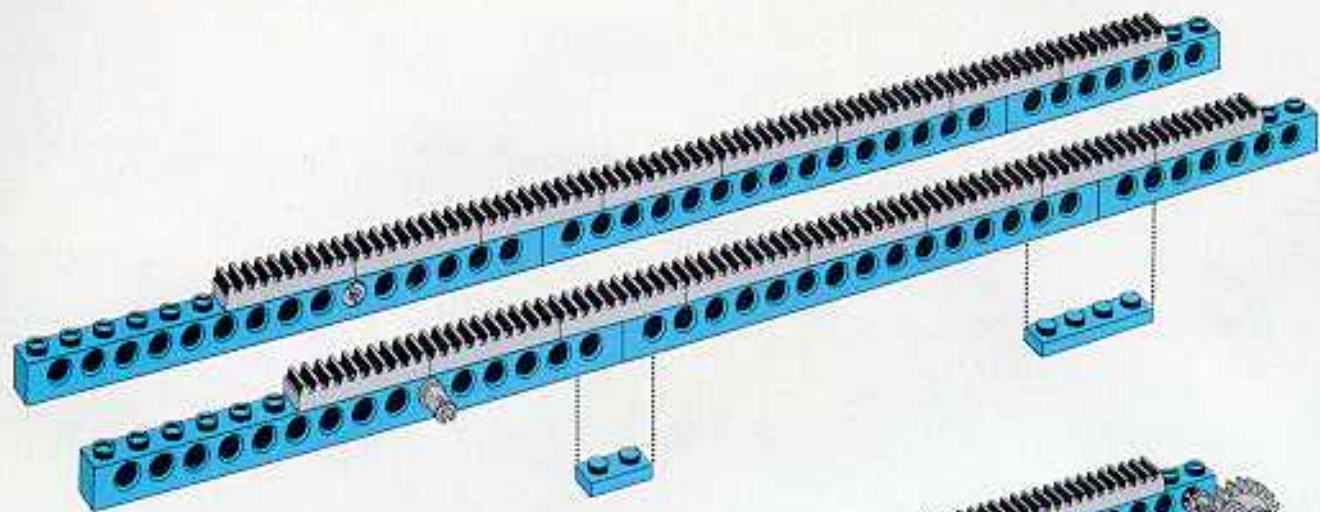


C

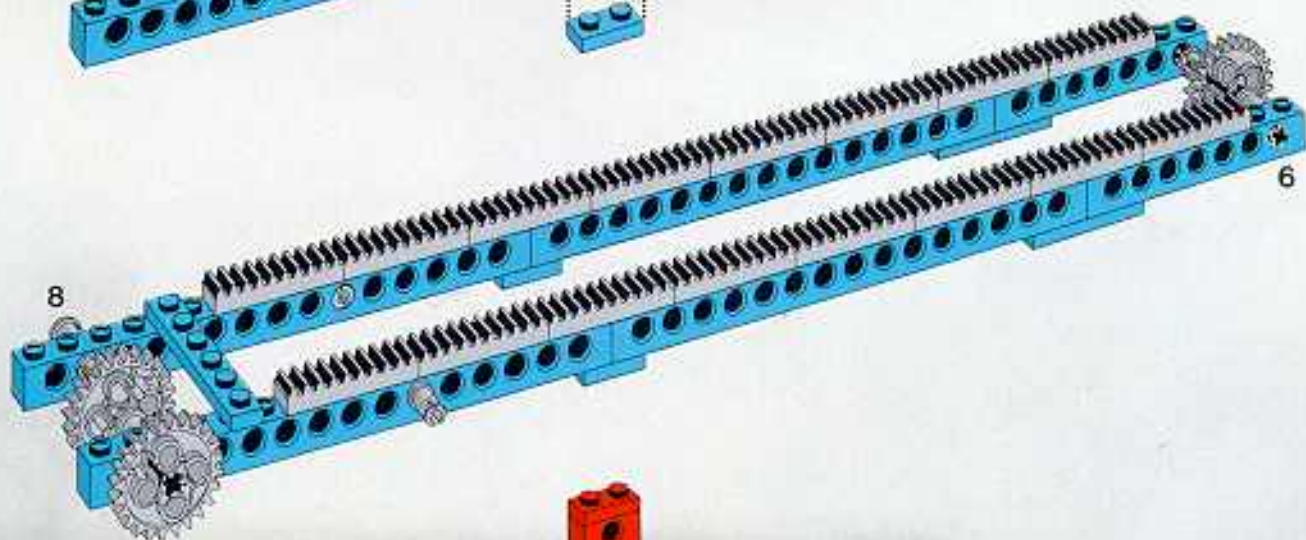




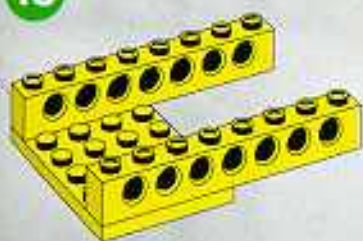
8



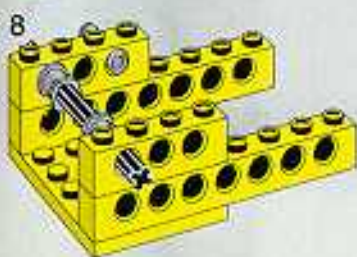
9



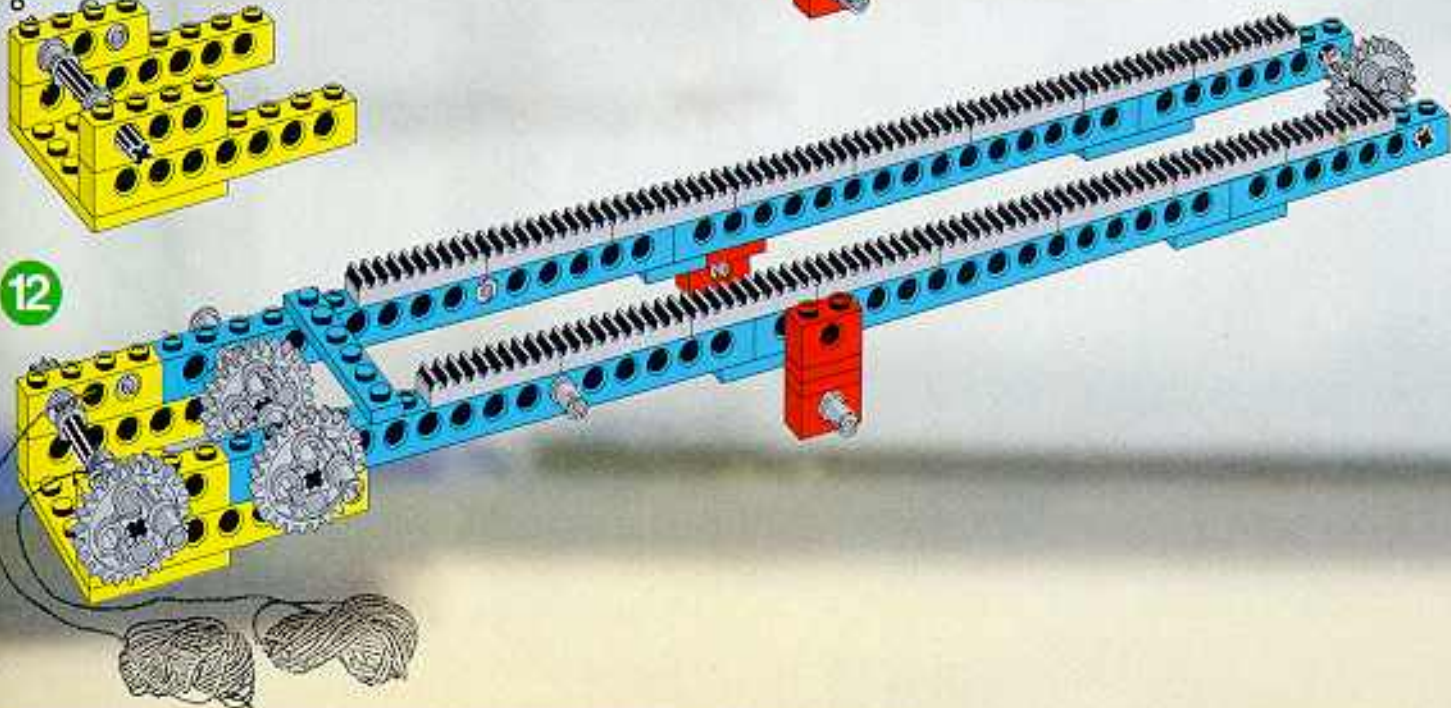
10



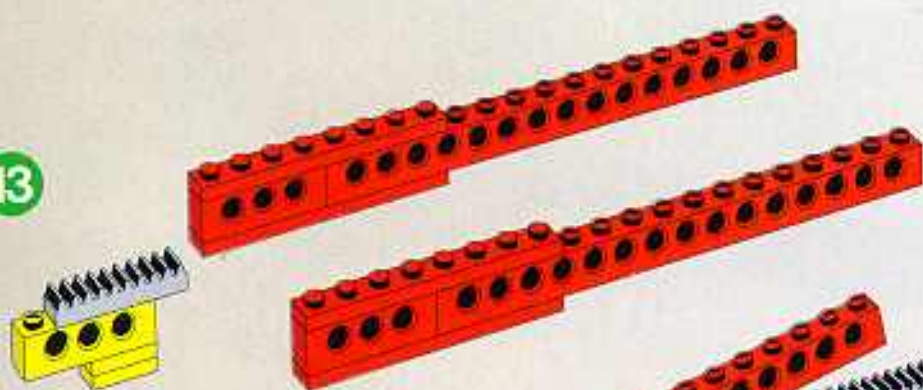
11



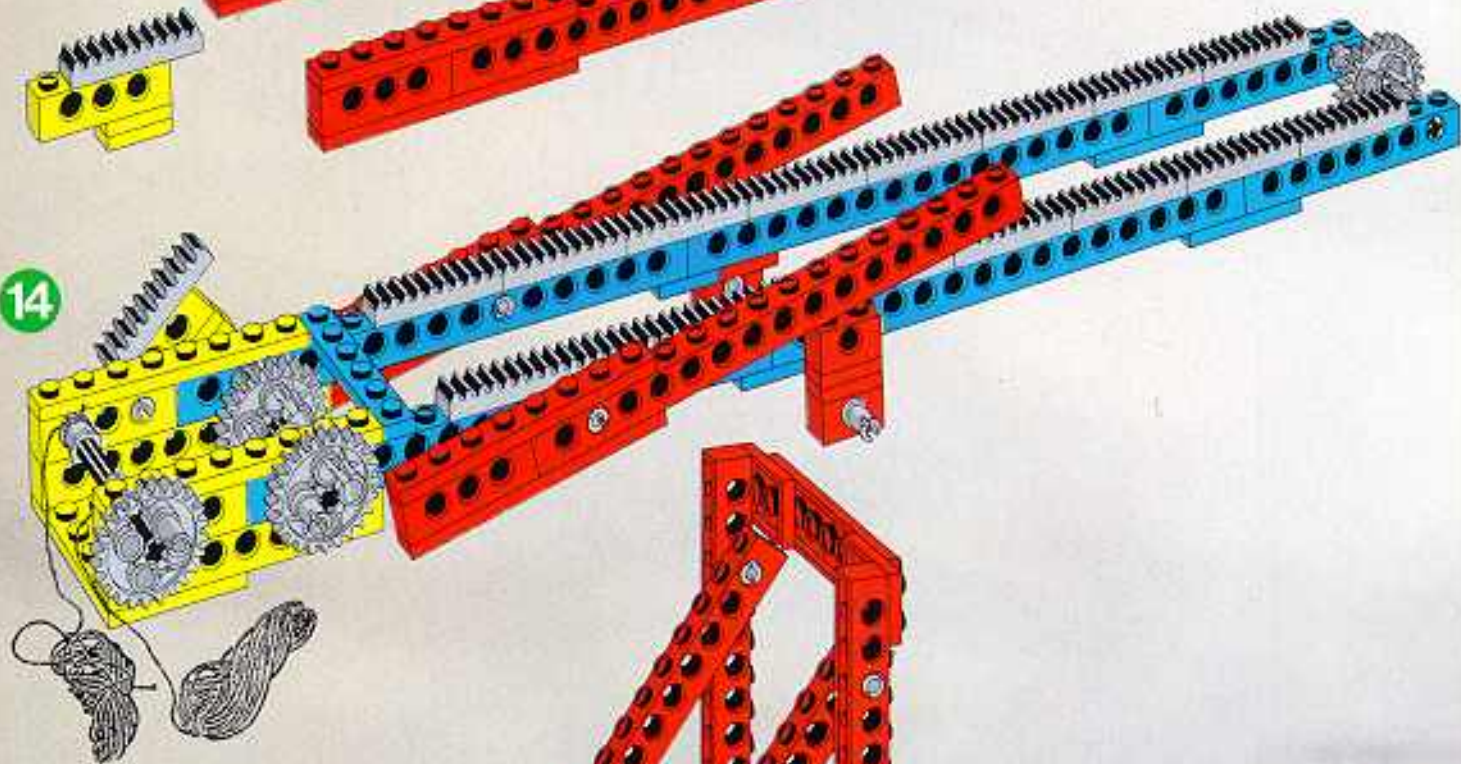
12



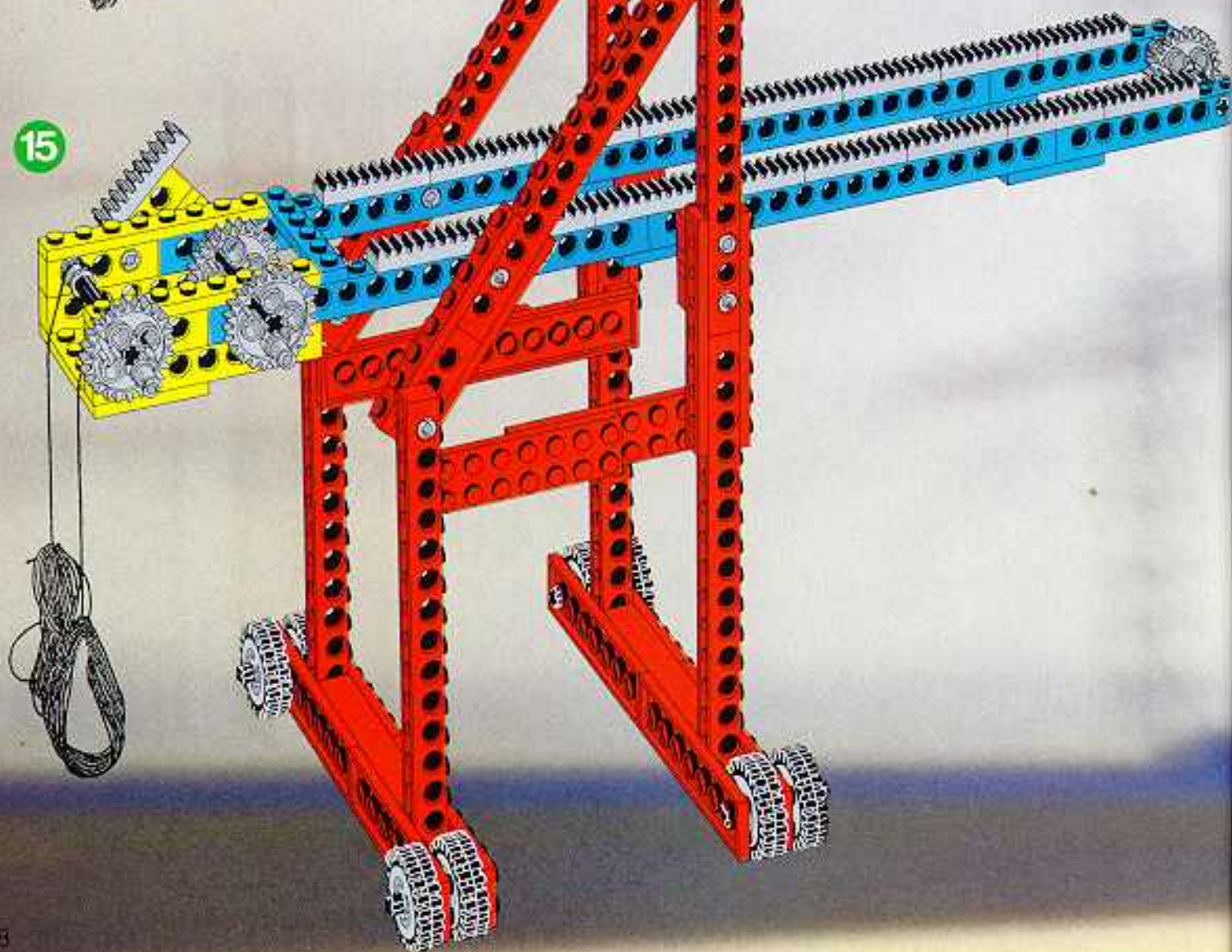
13

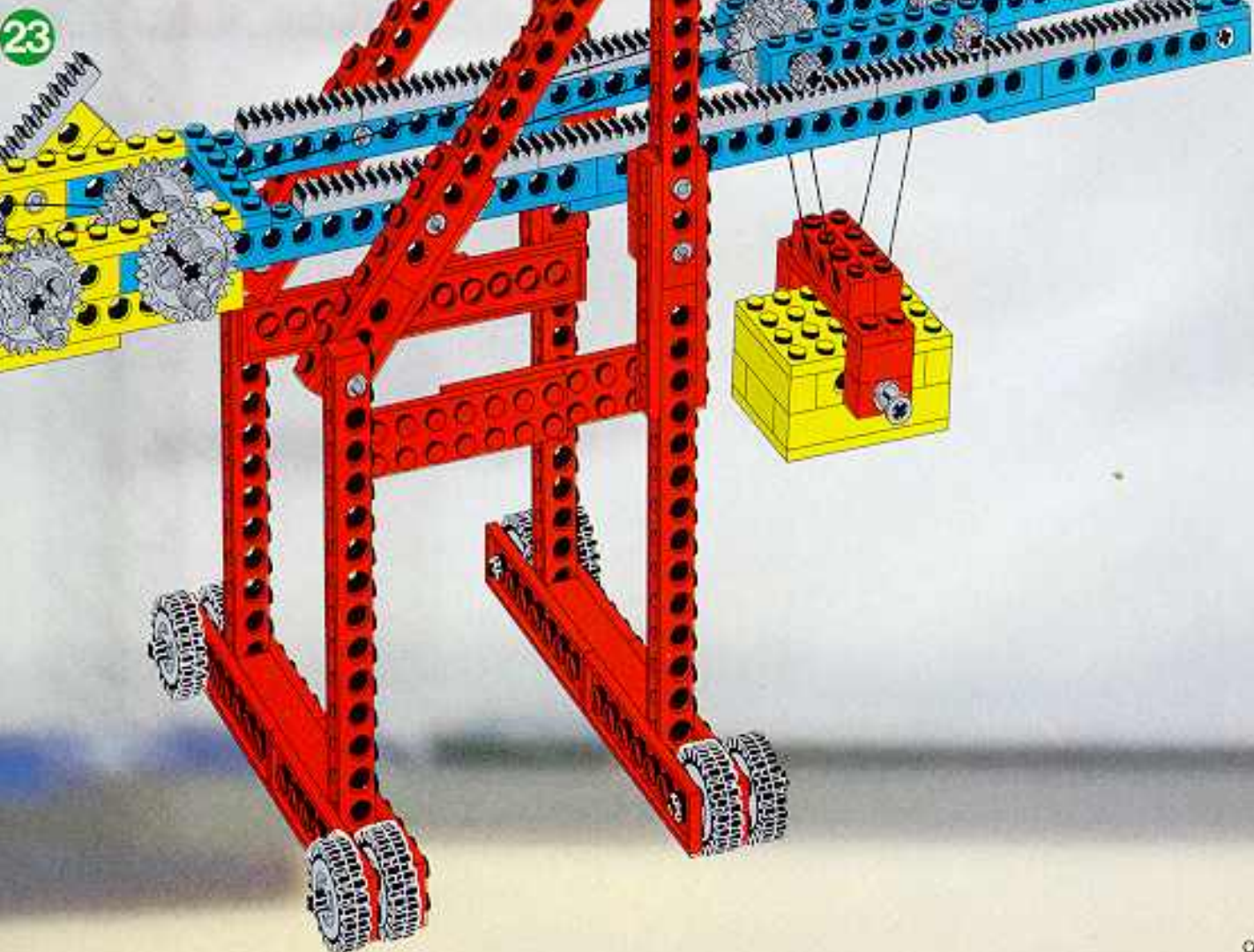
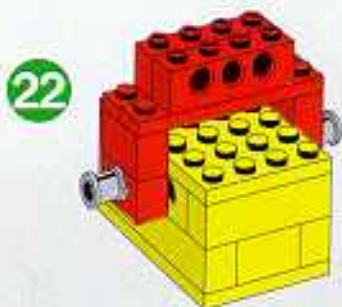
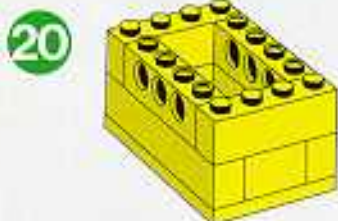
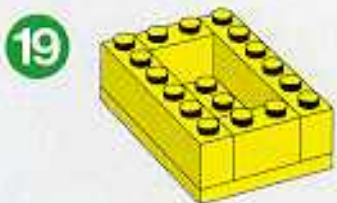
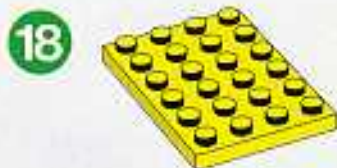
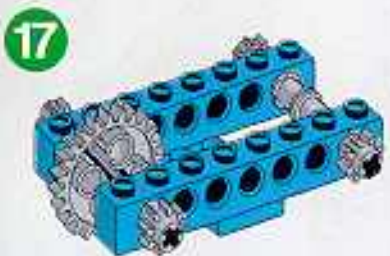
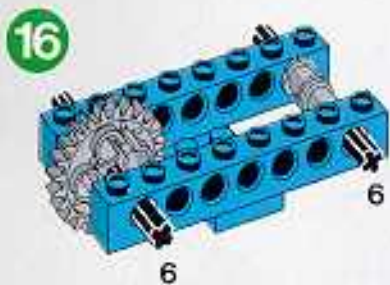


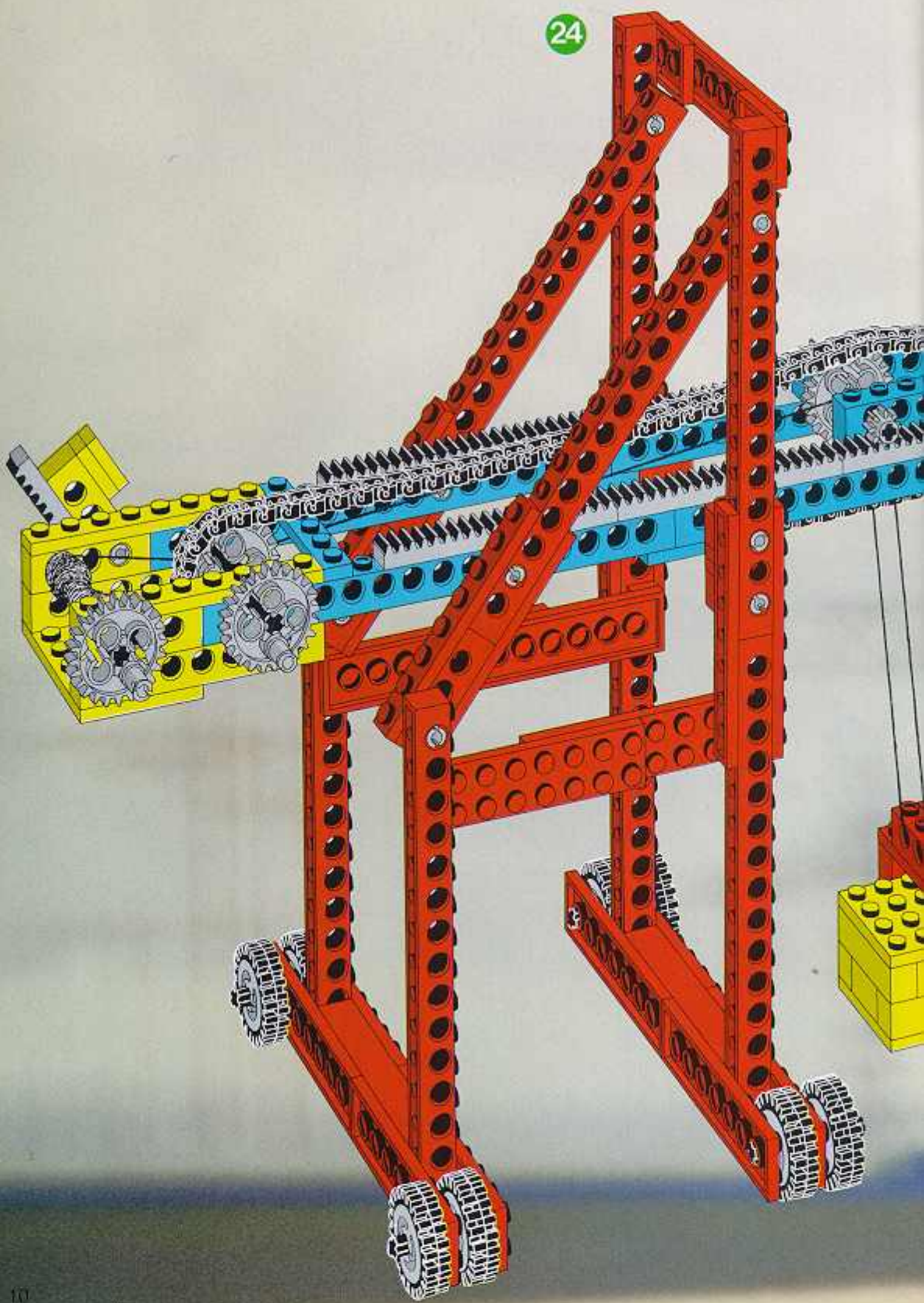
14



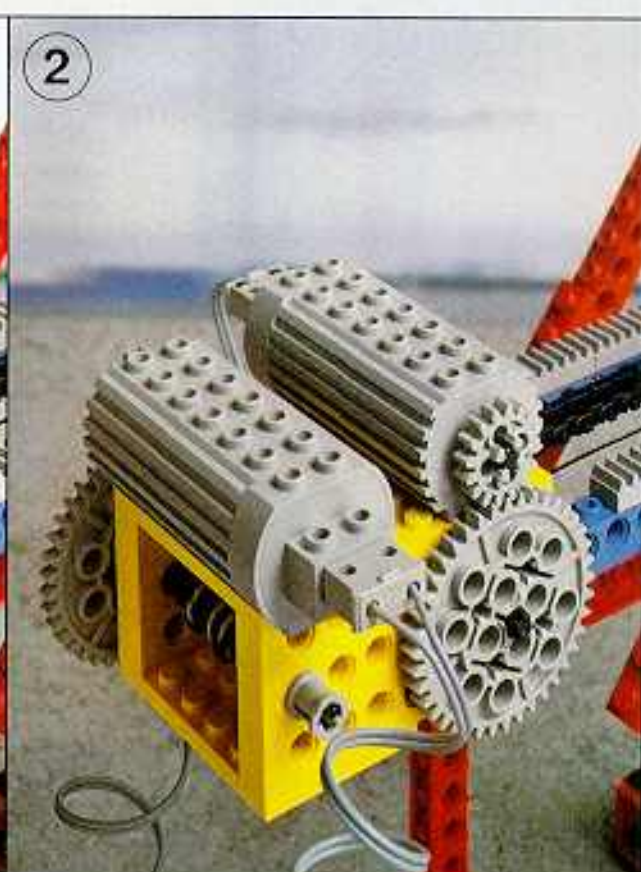
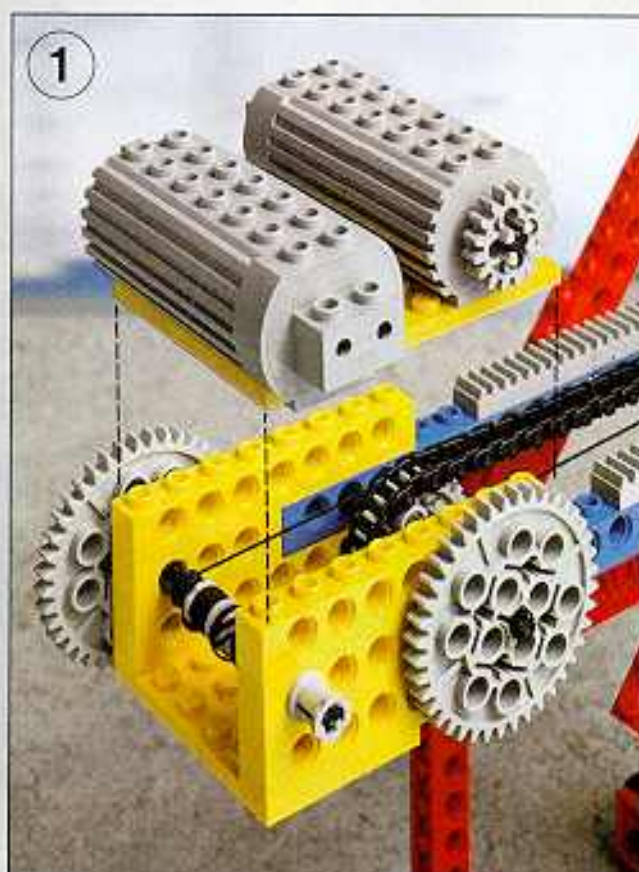
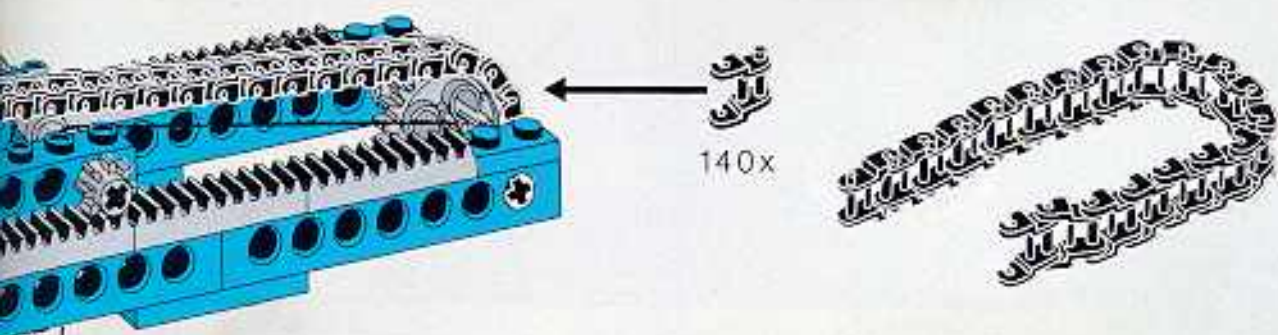
15

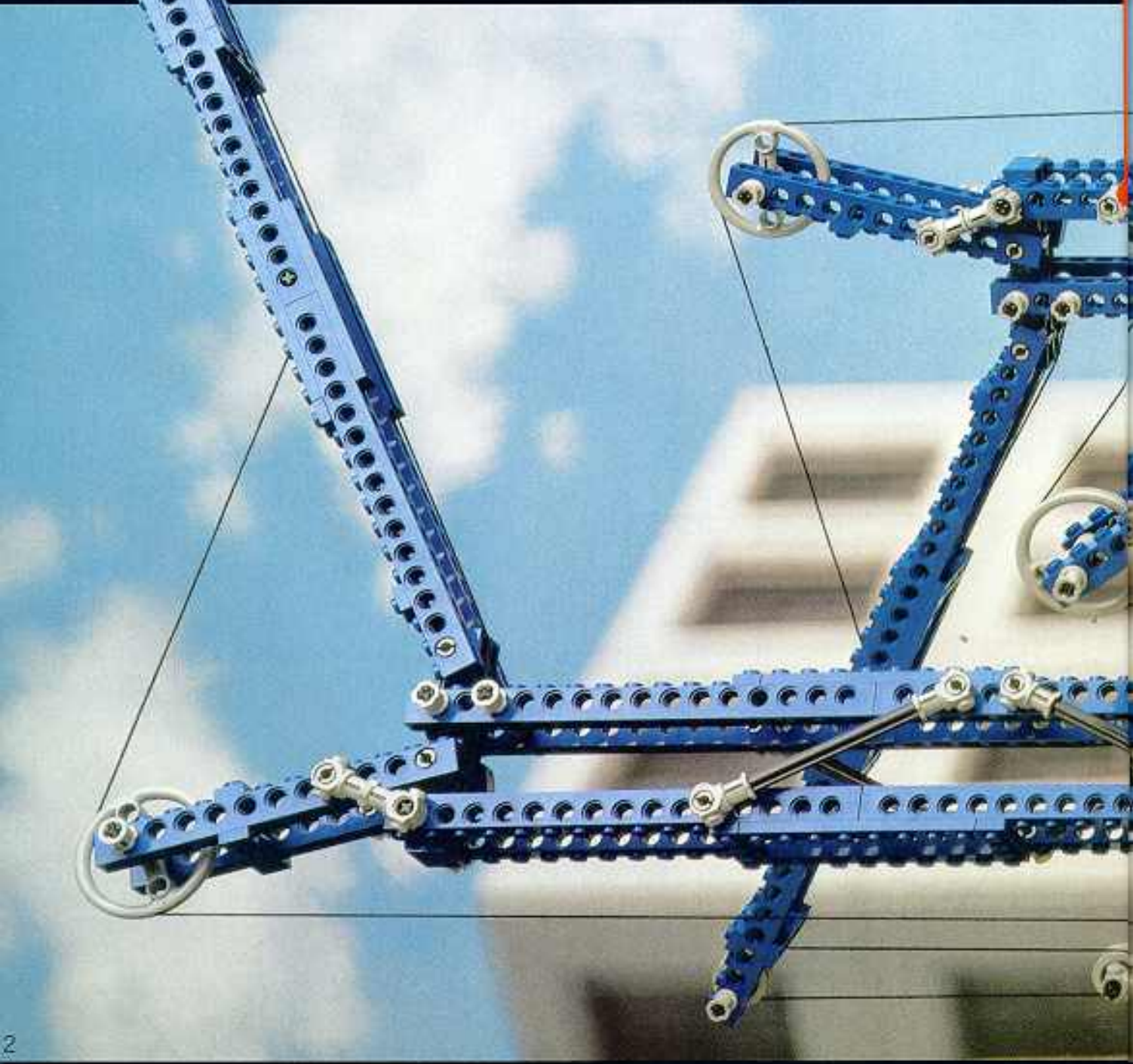
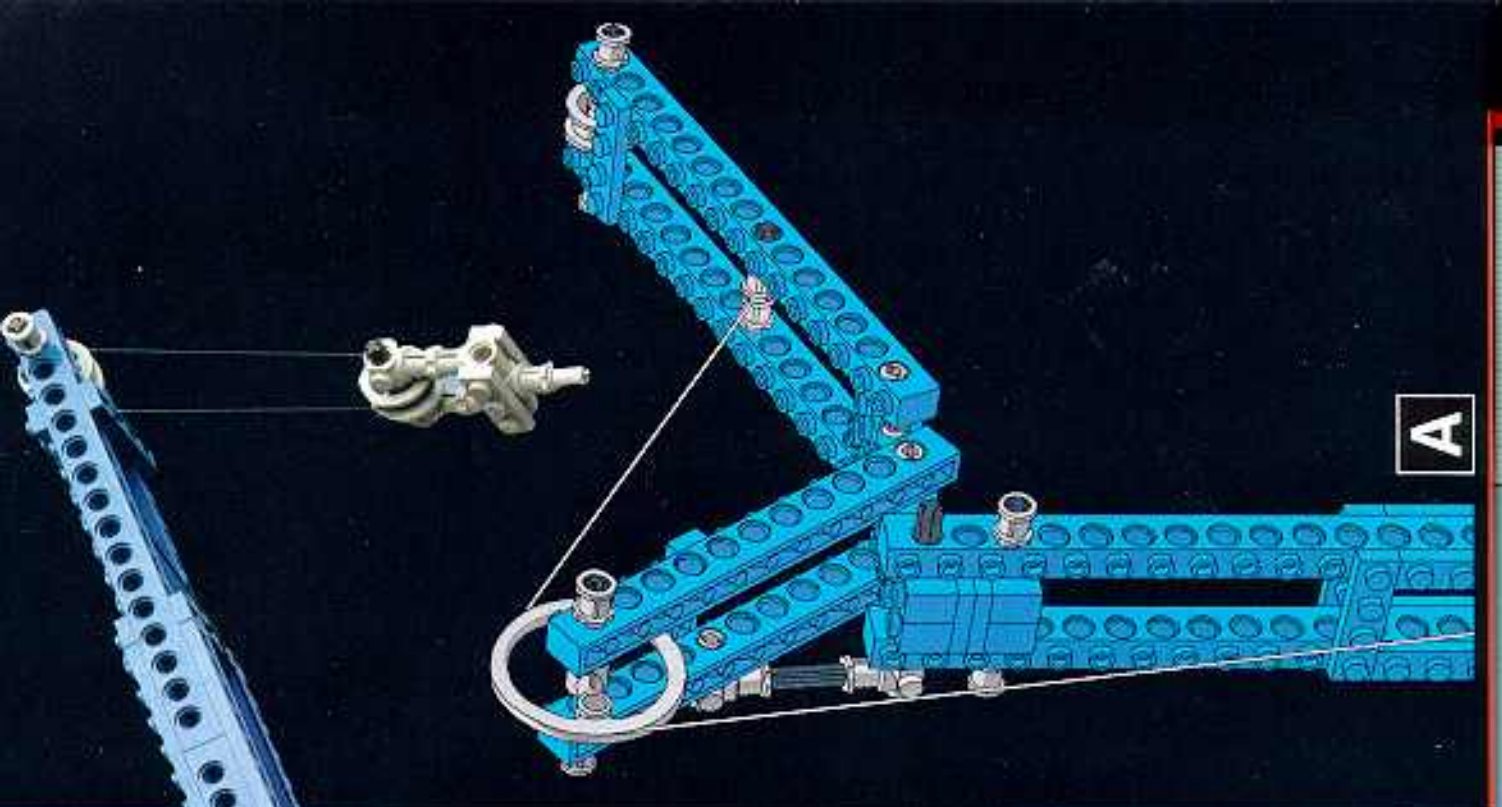


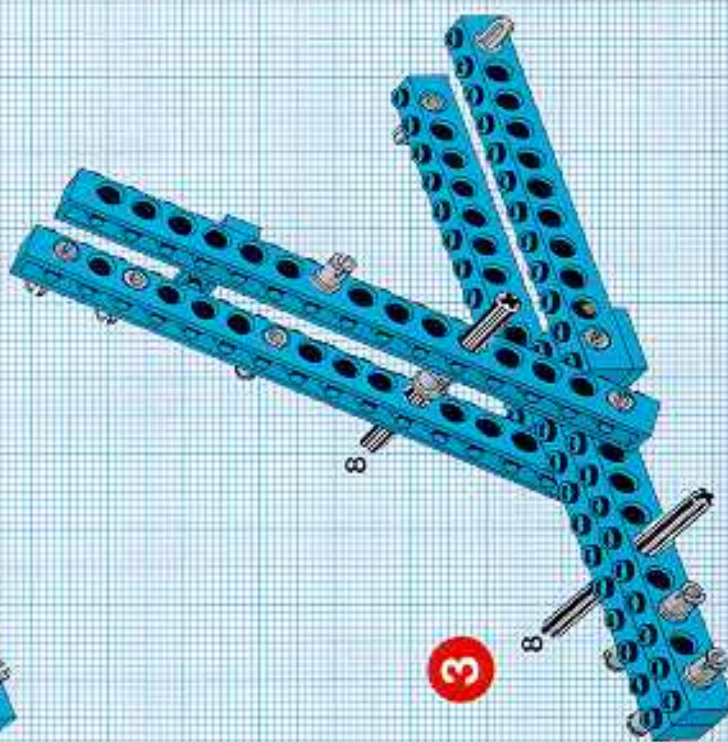
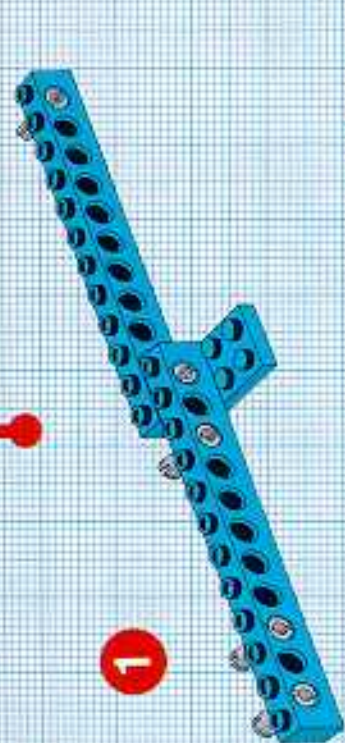
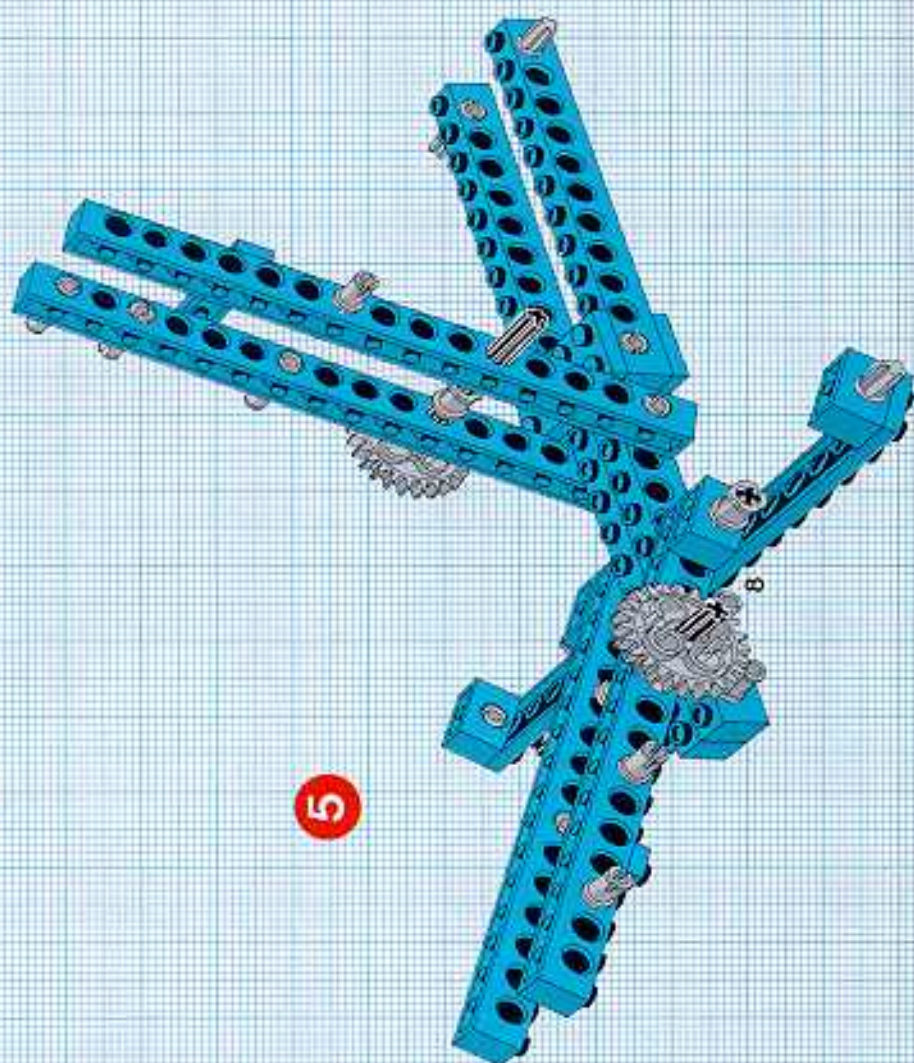
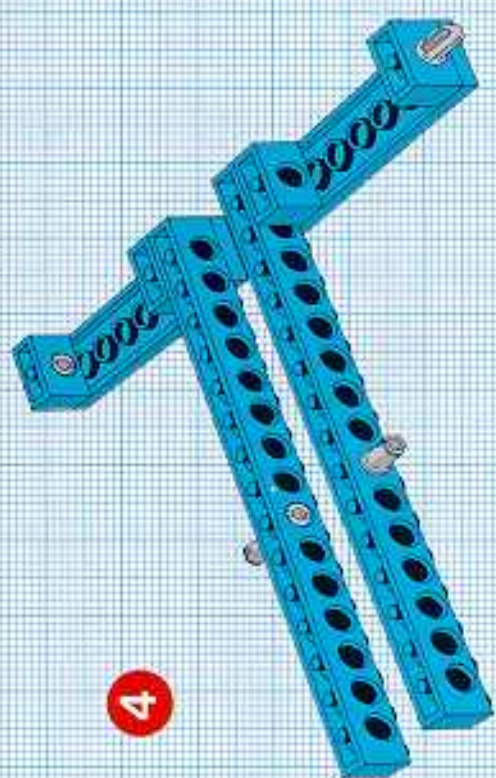


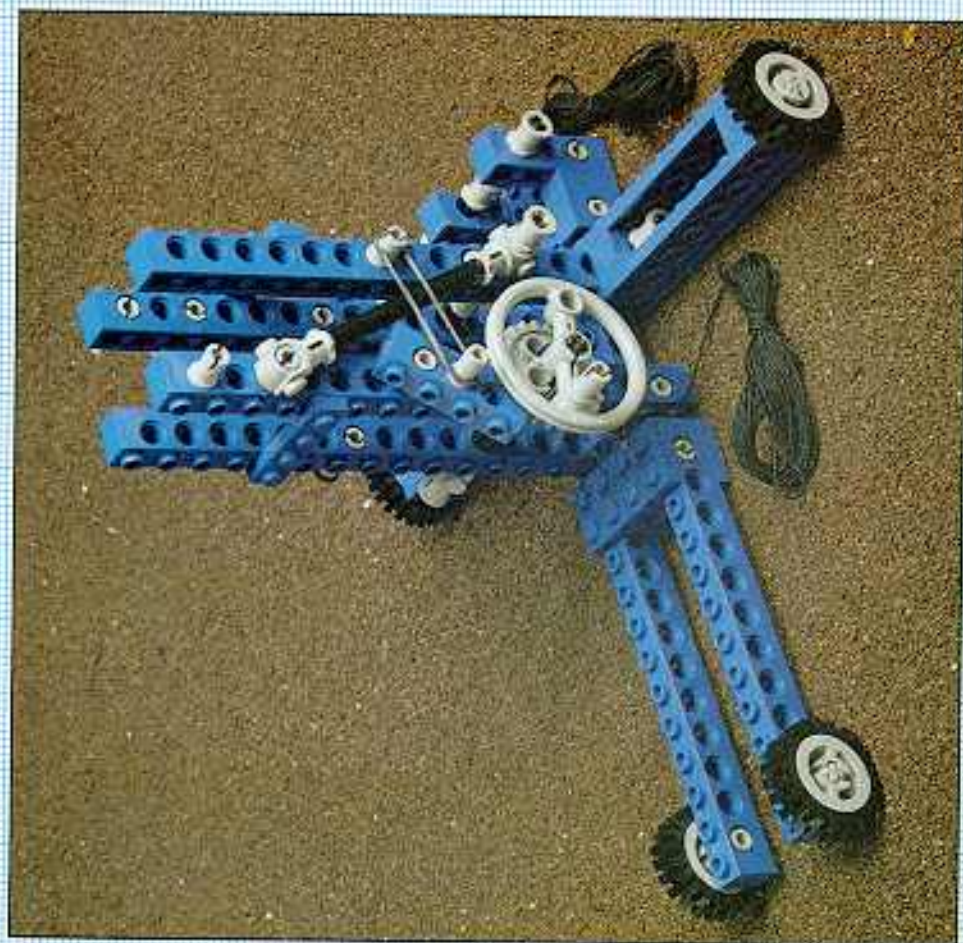
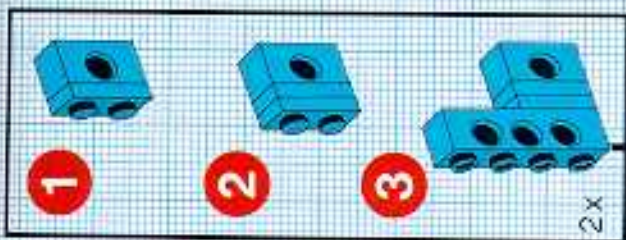
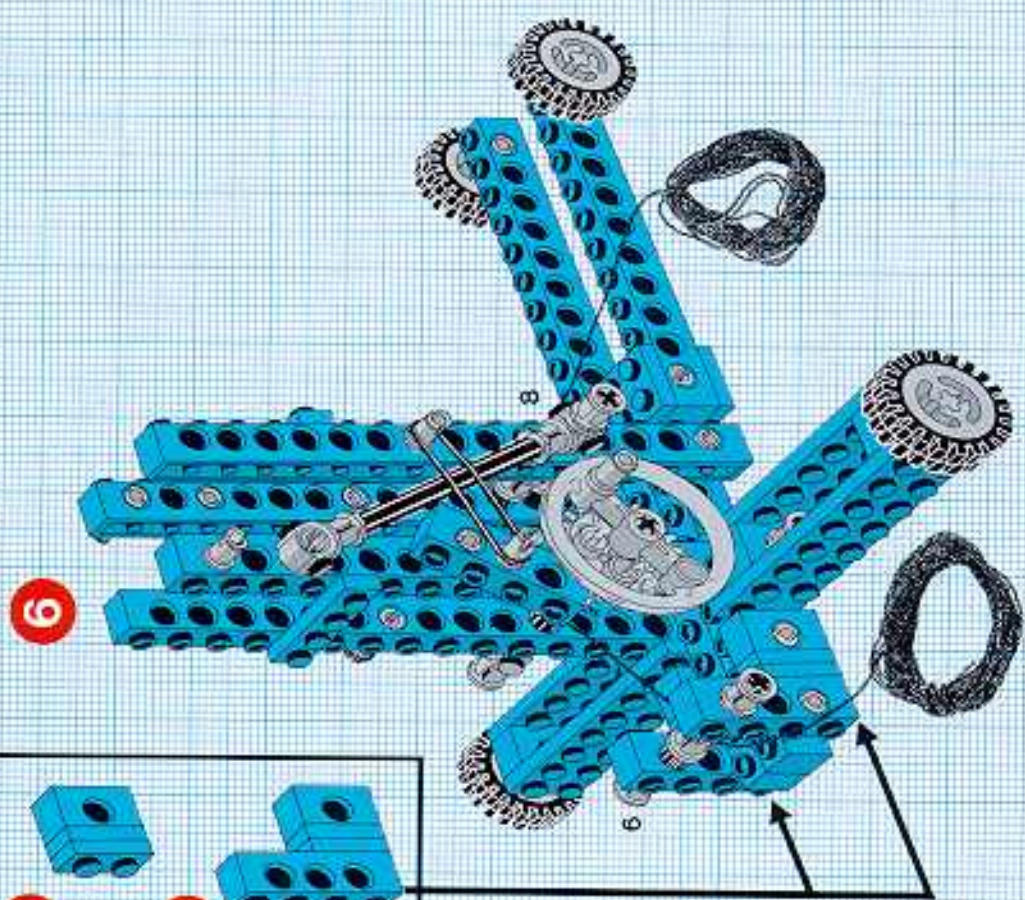


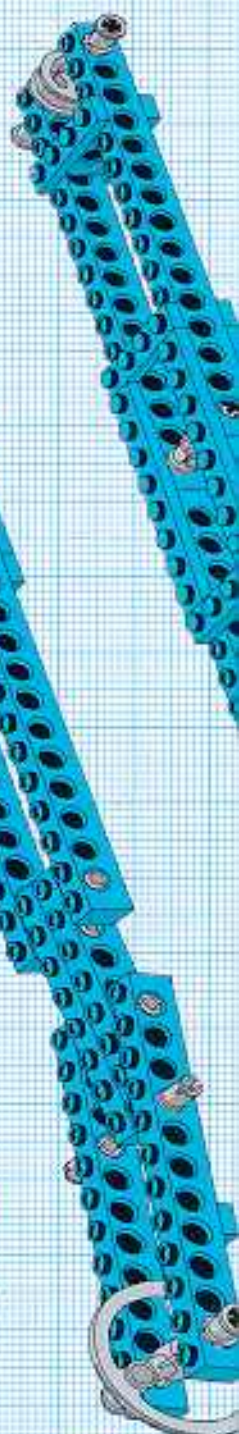
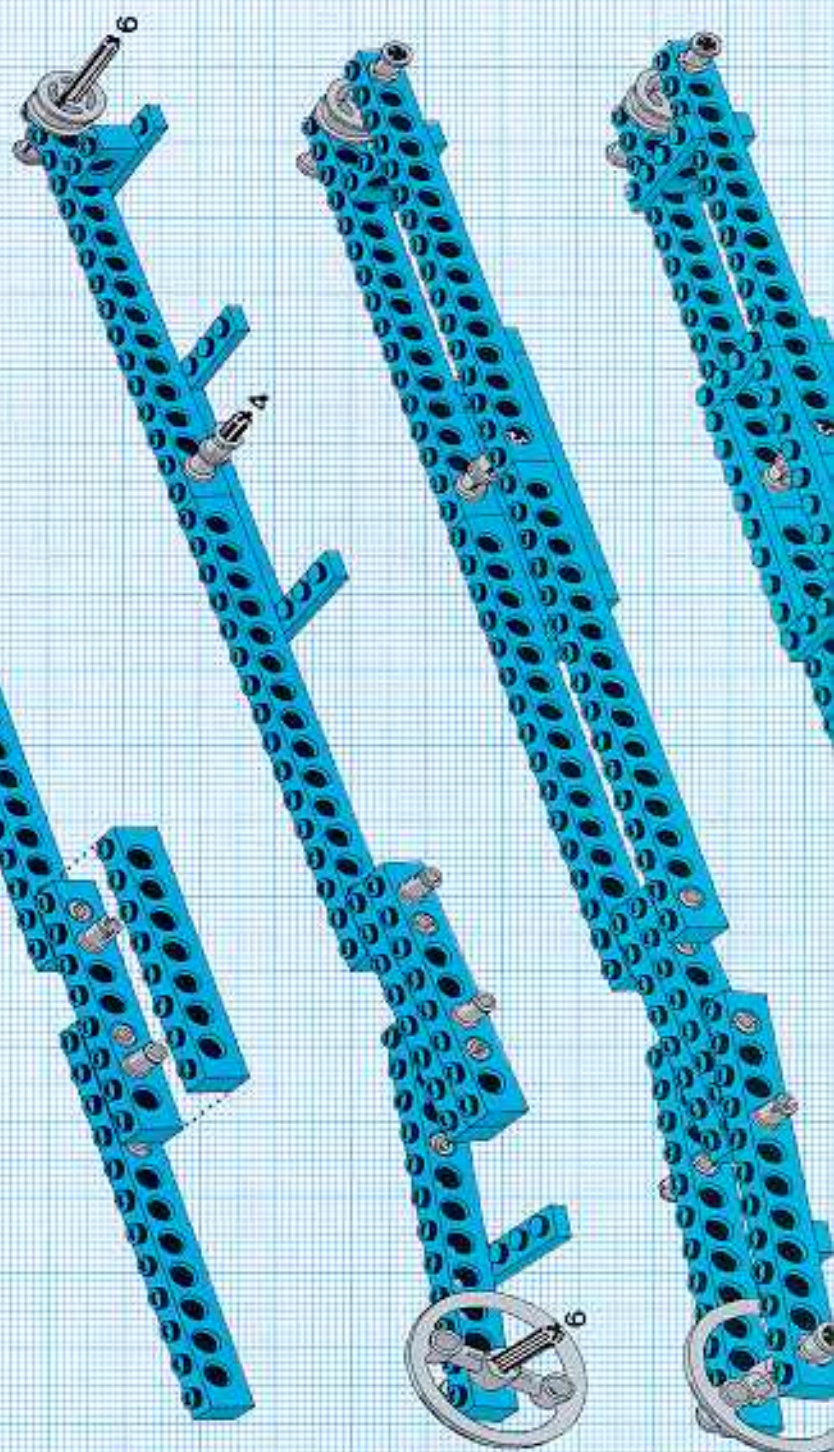
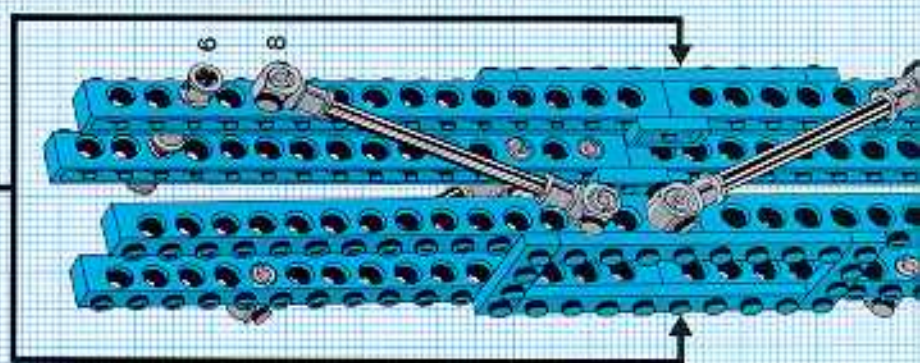
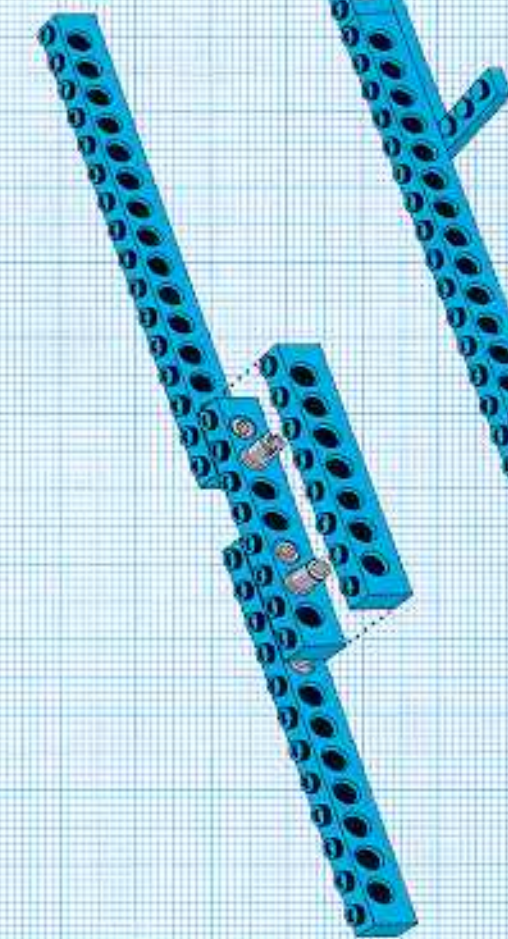
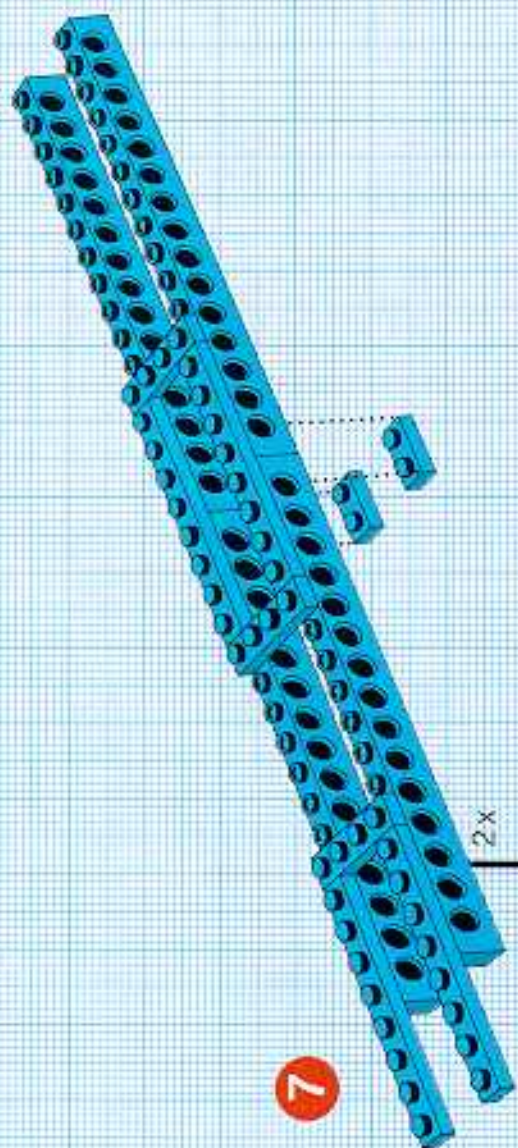


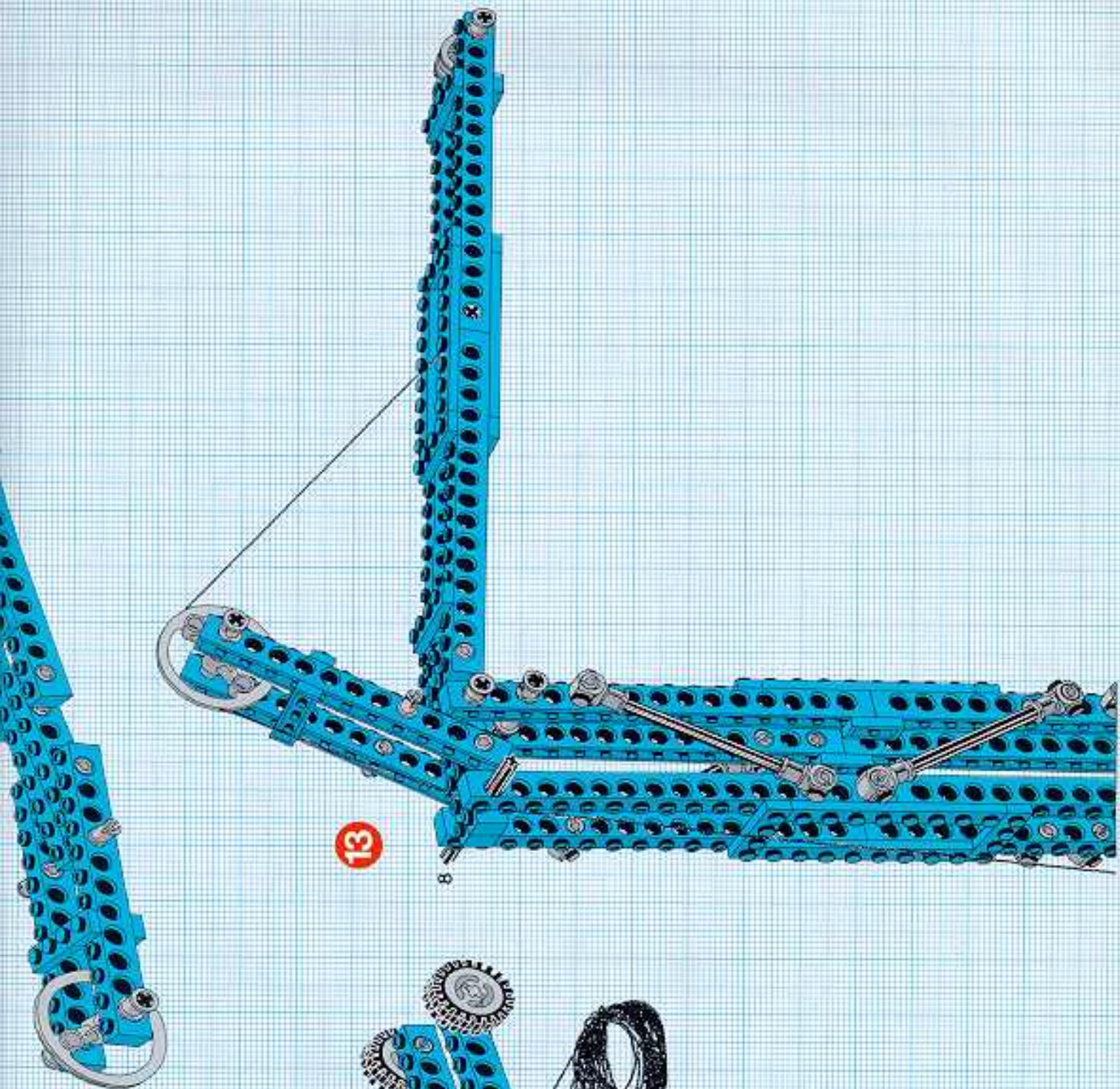




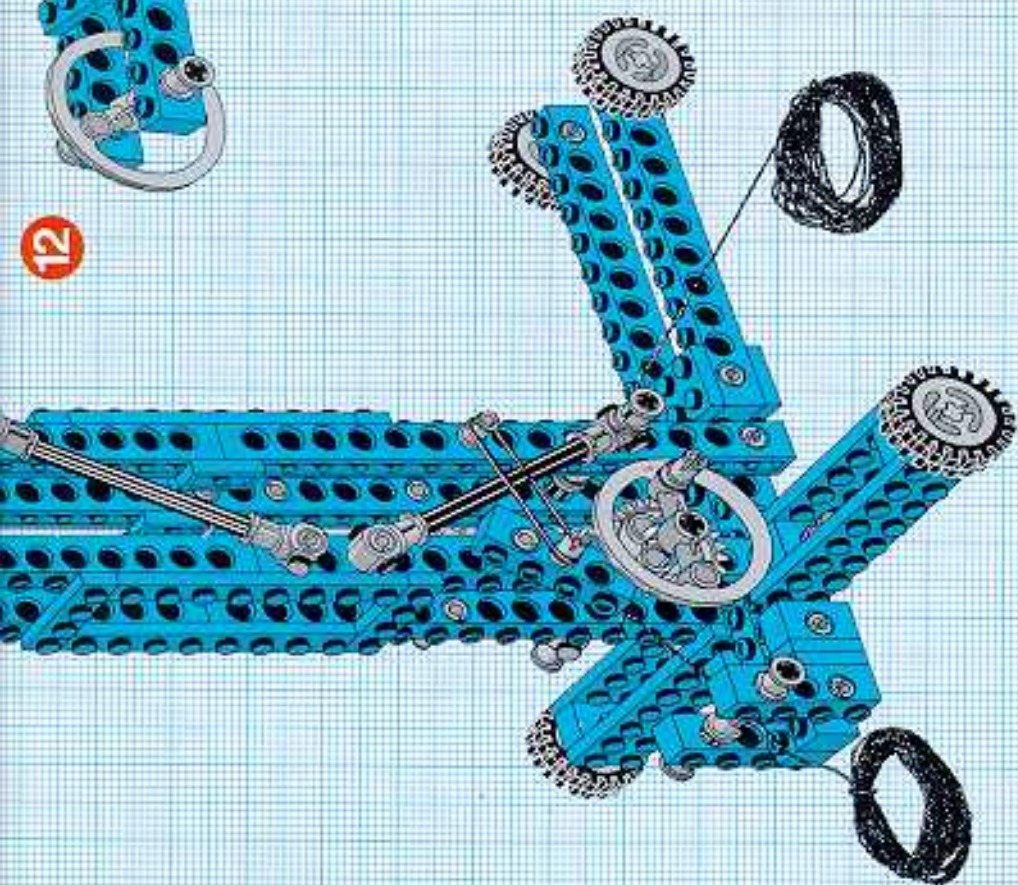


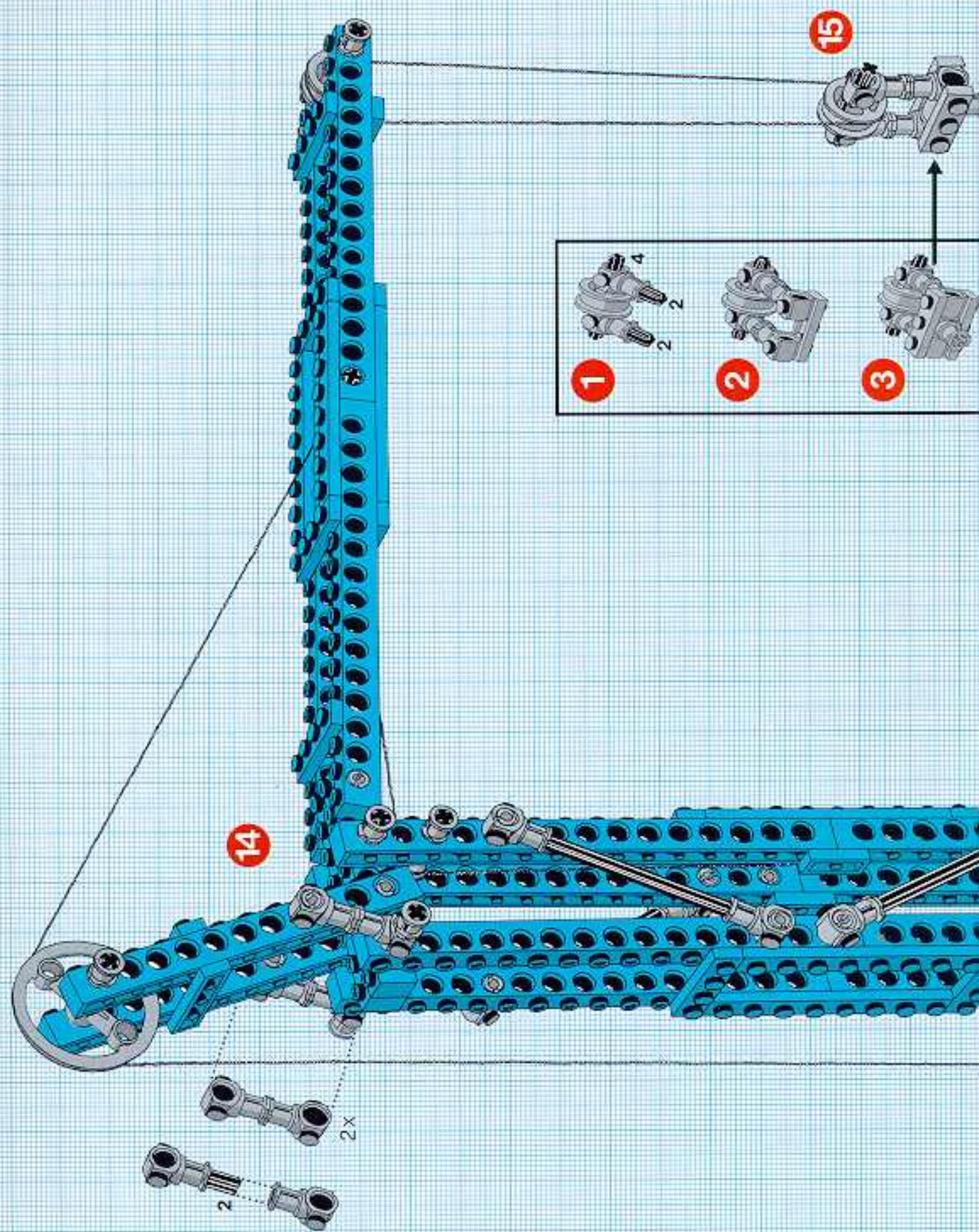


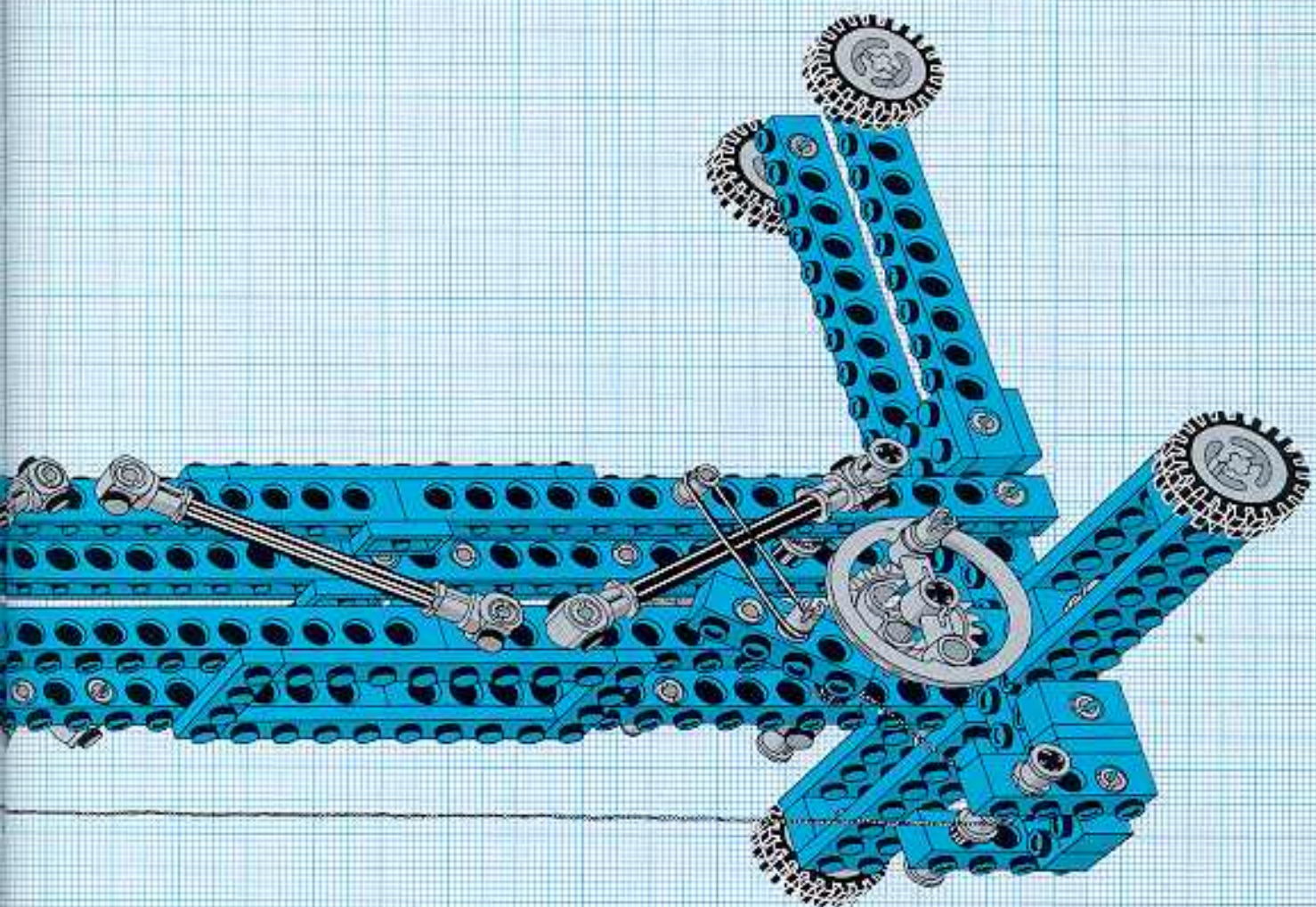
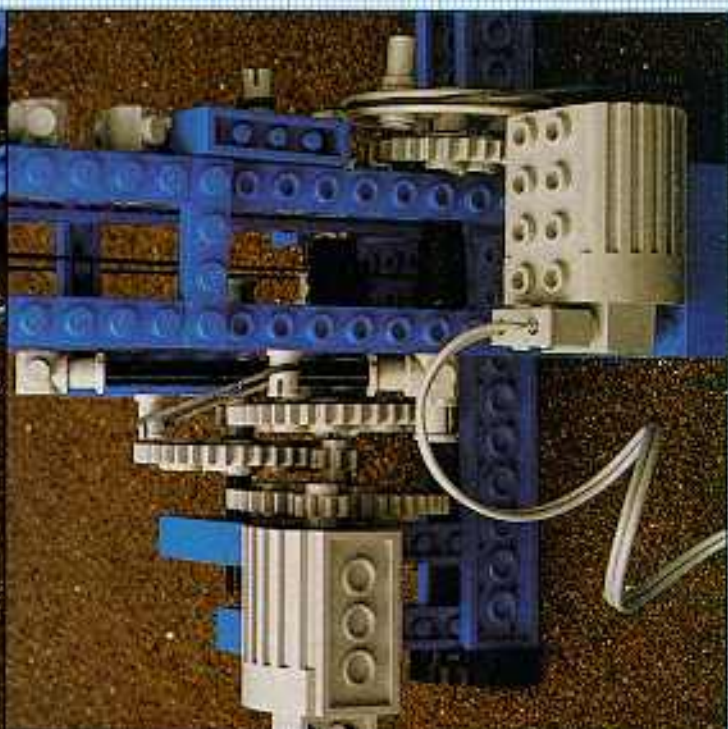
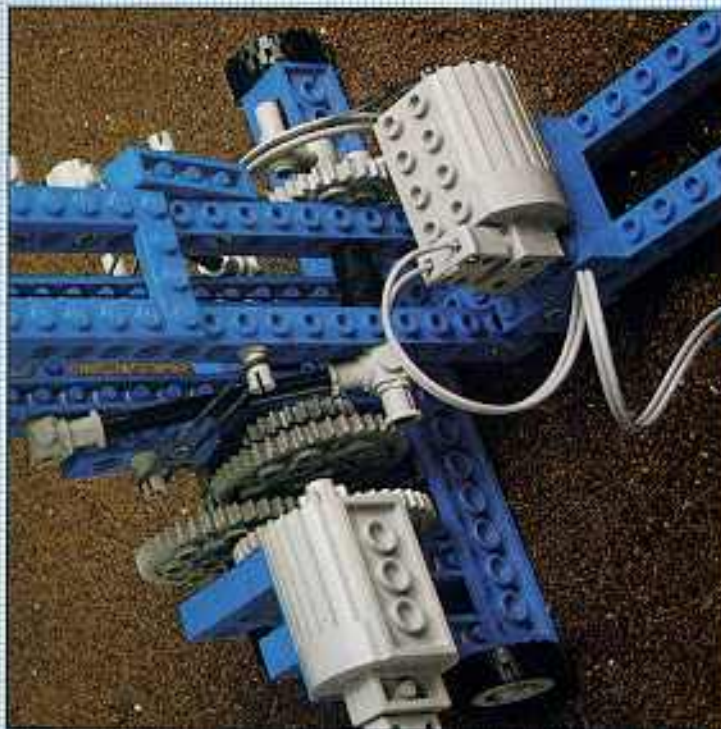


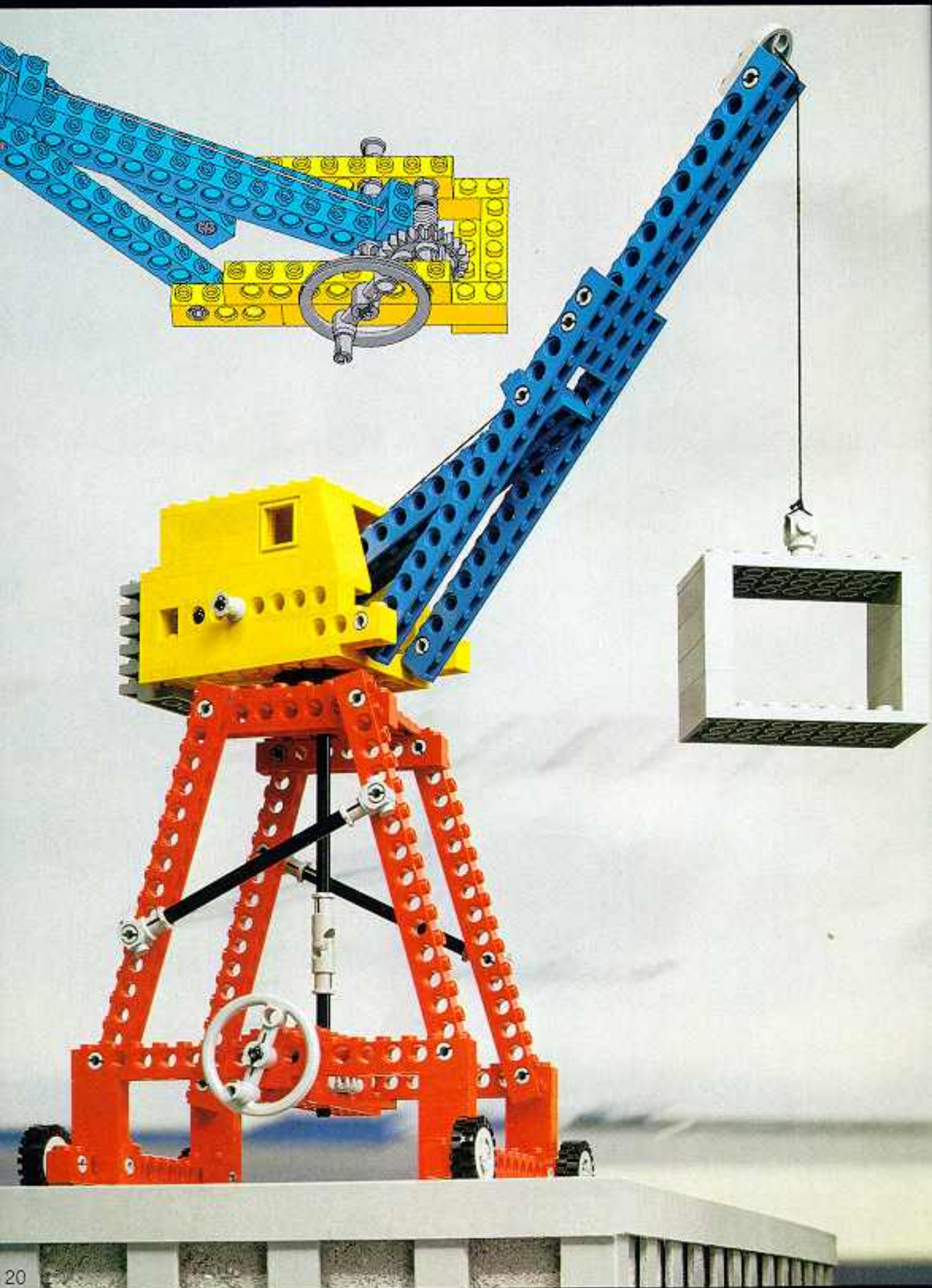


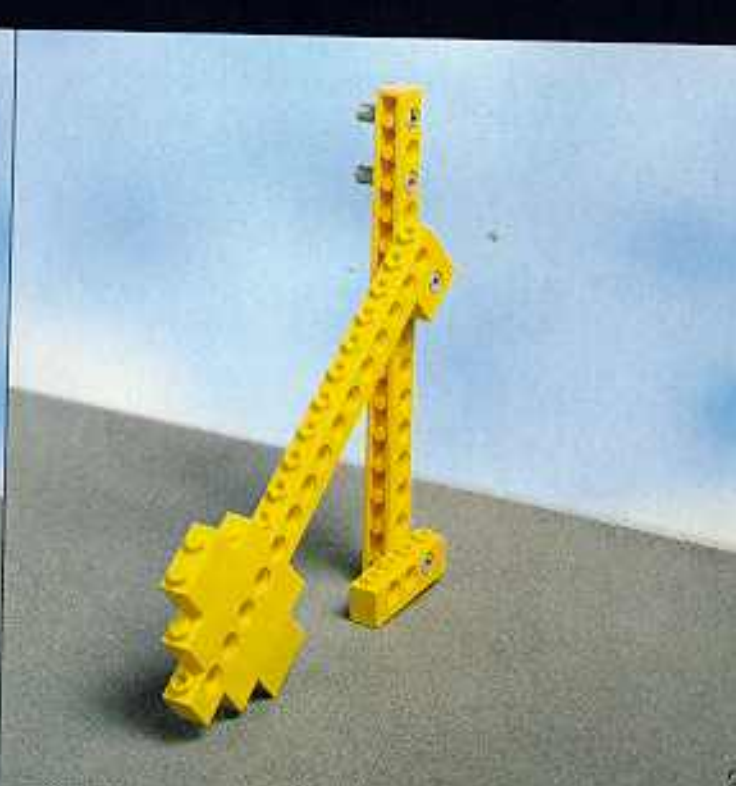
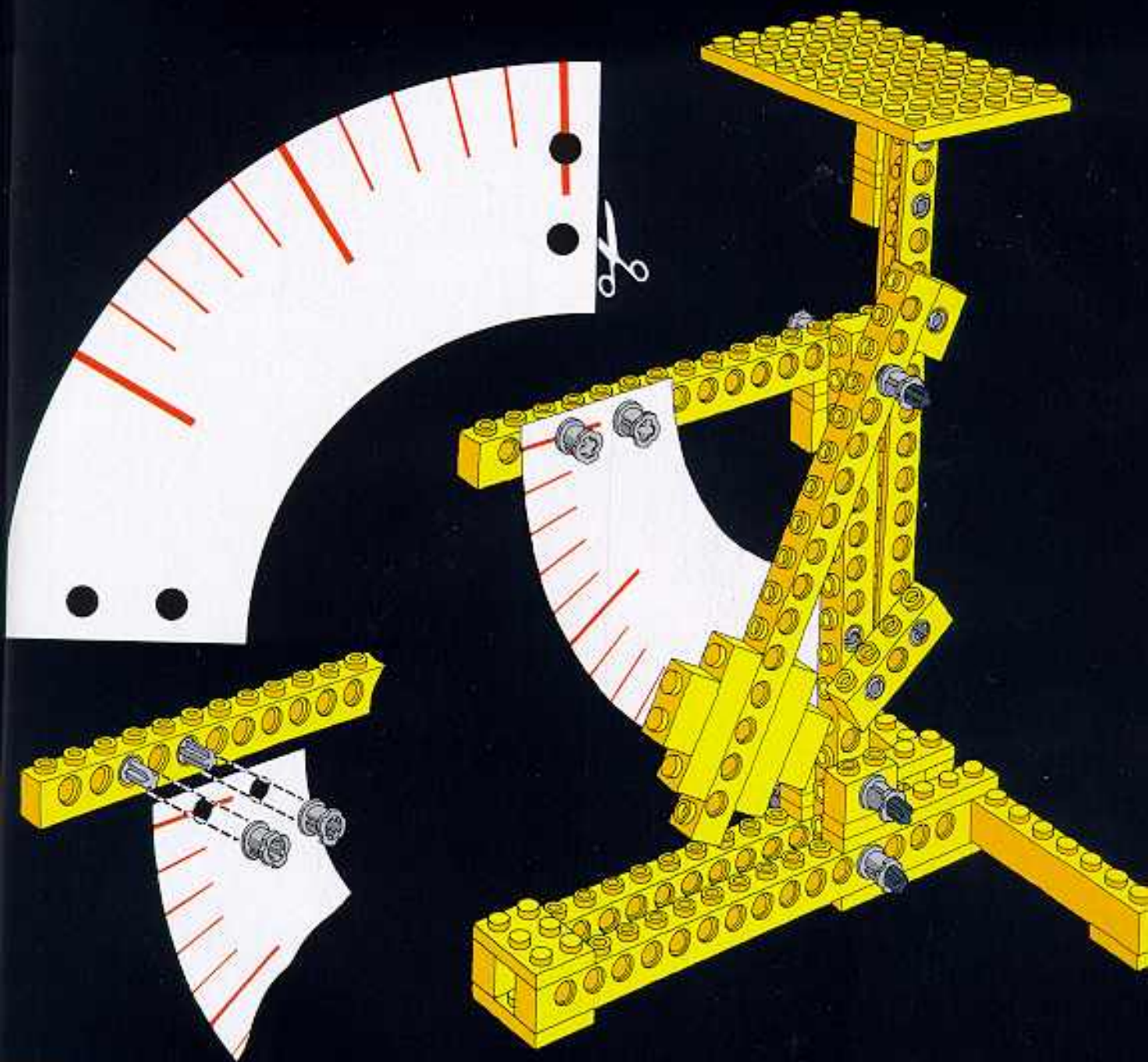
13

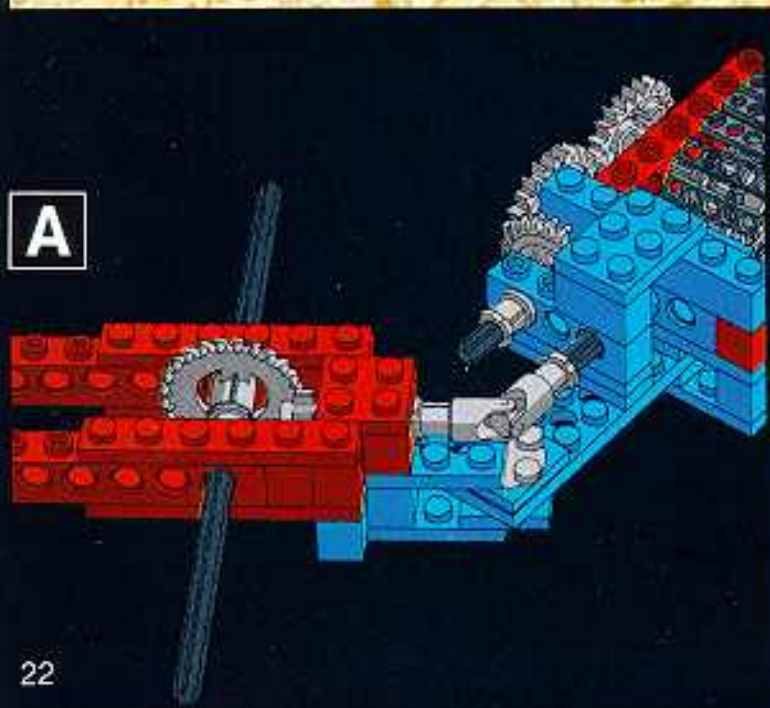


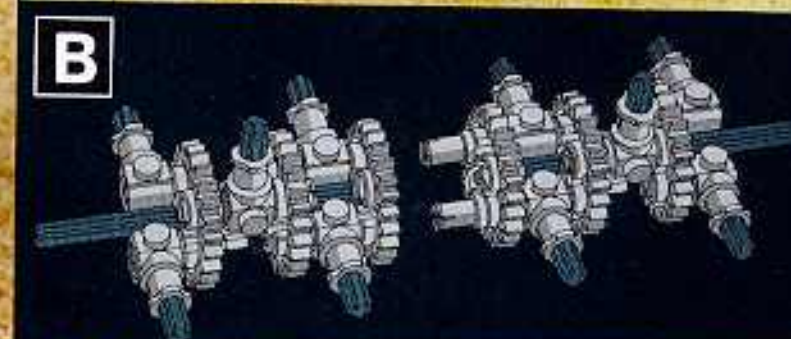
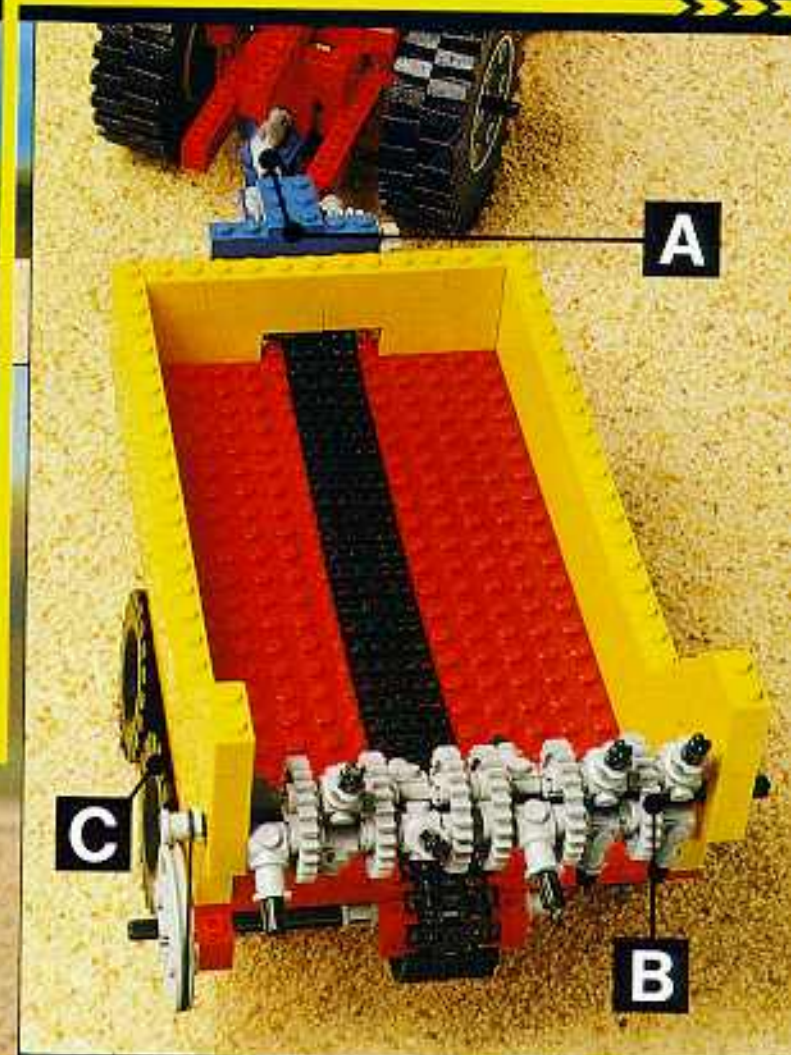
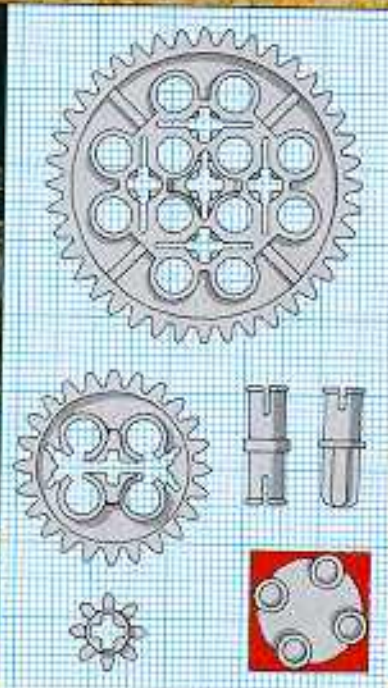
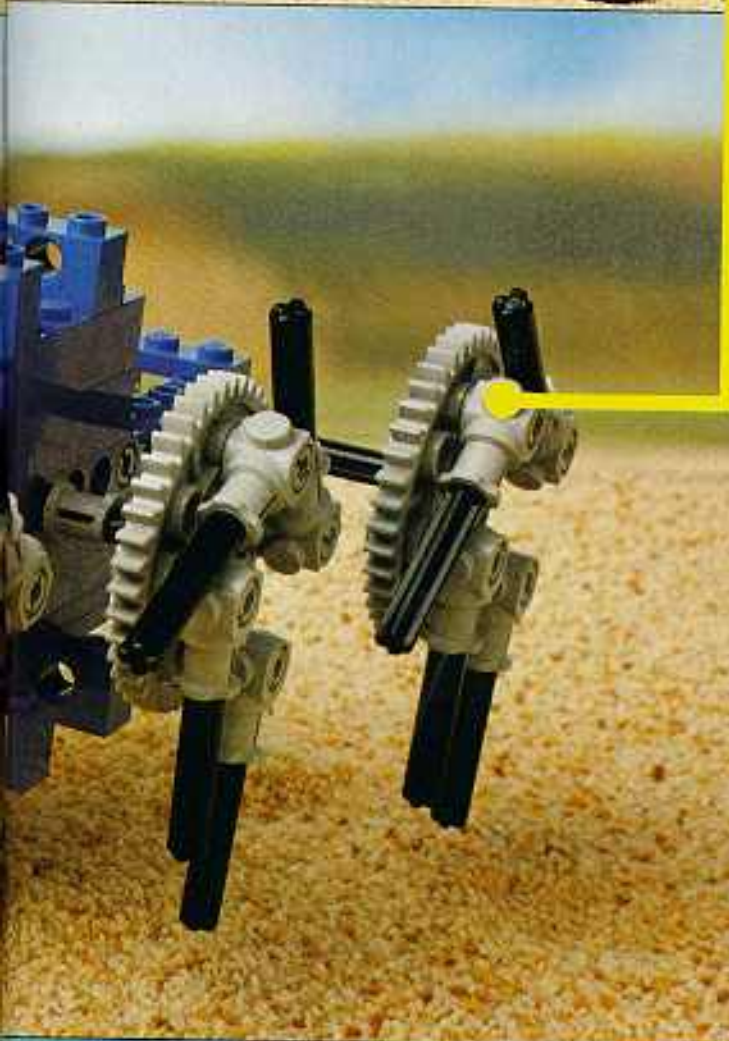




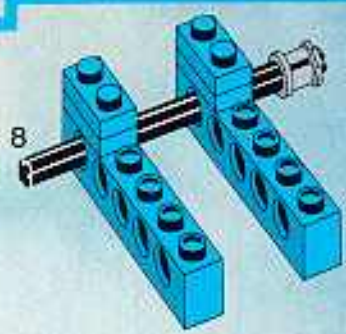




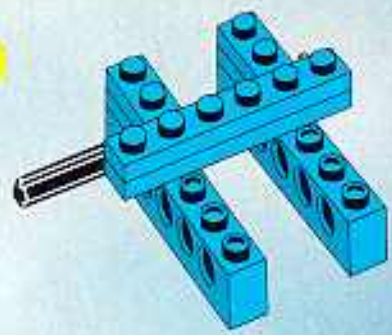




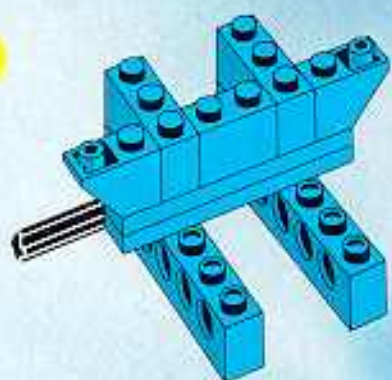
1



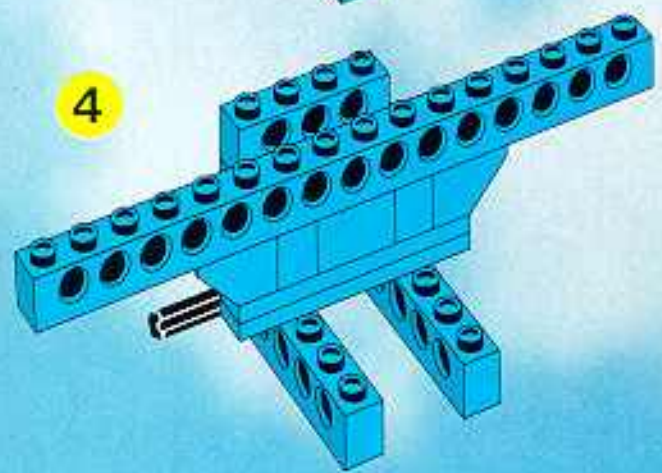
2



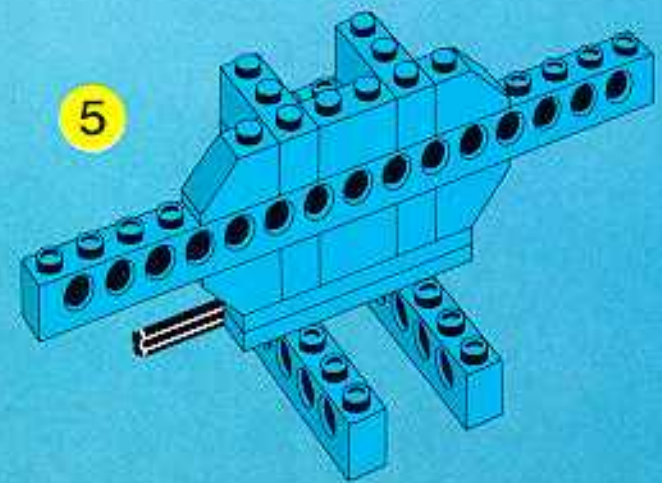
3



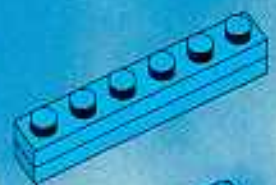
4



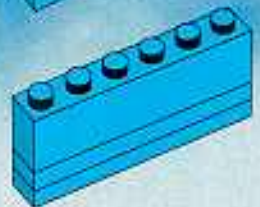
5



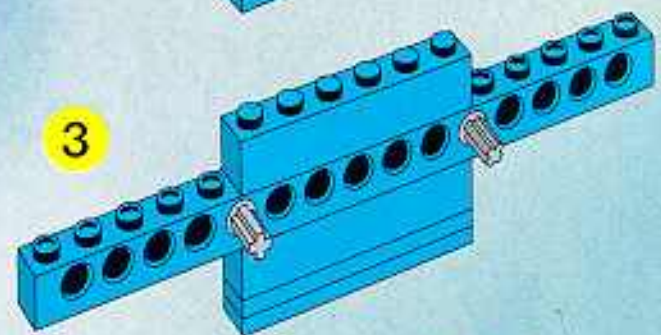
1



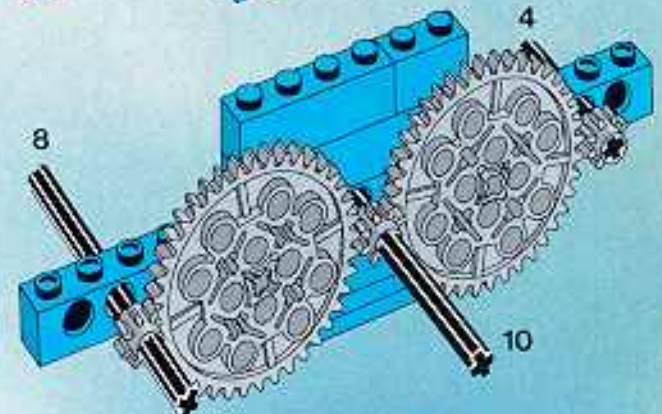
2



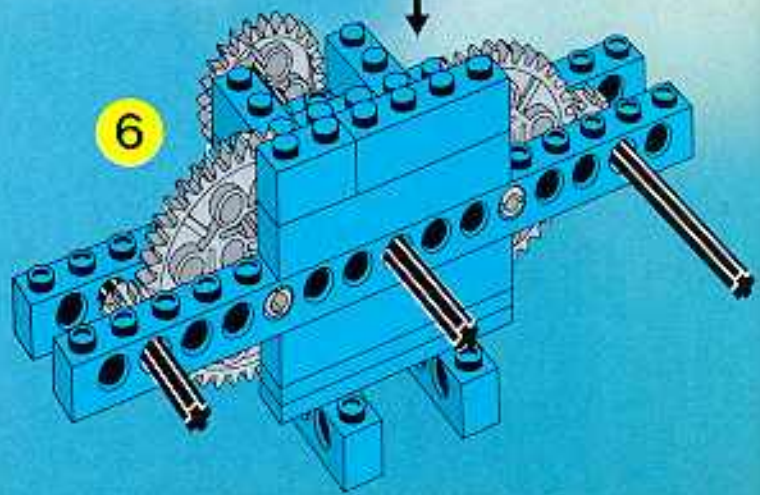
3



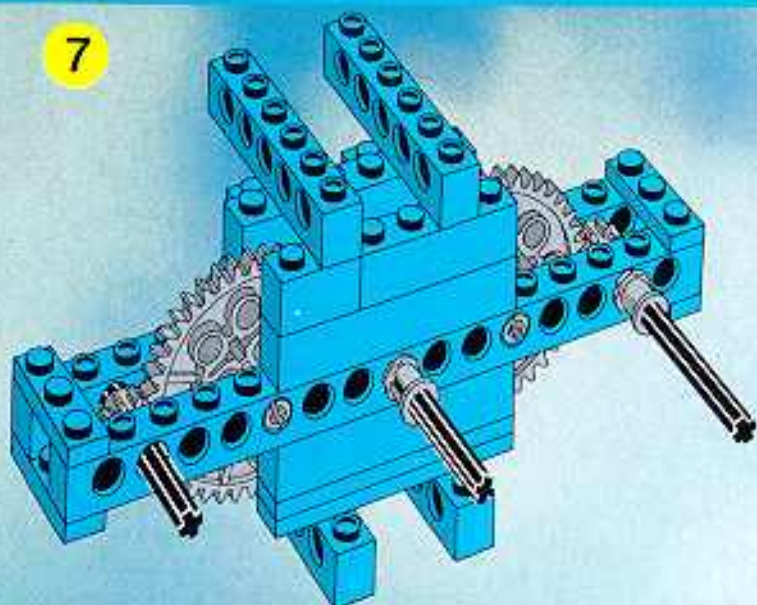
4



6



7



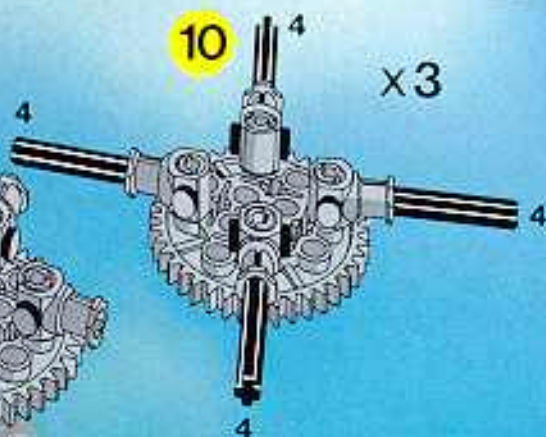
8



9

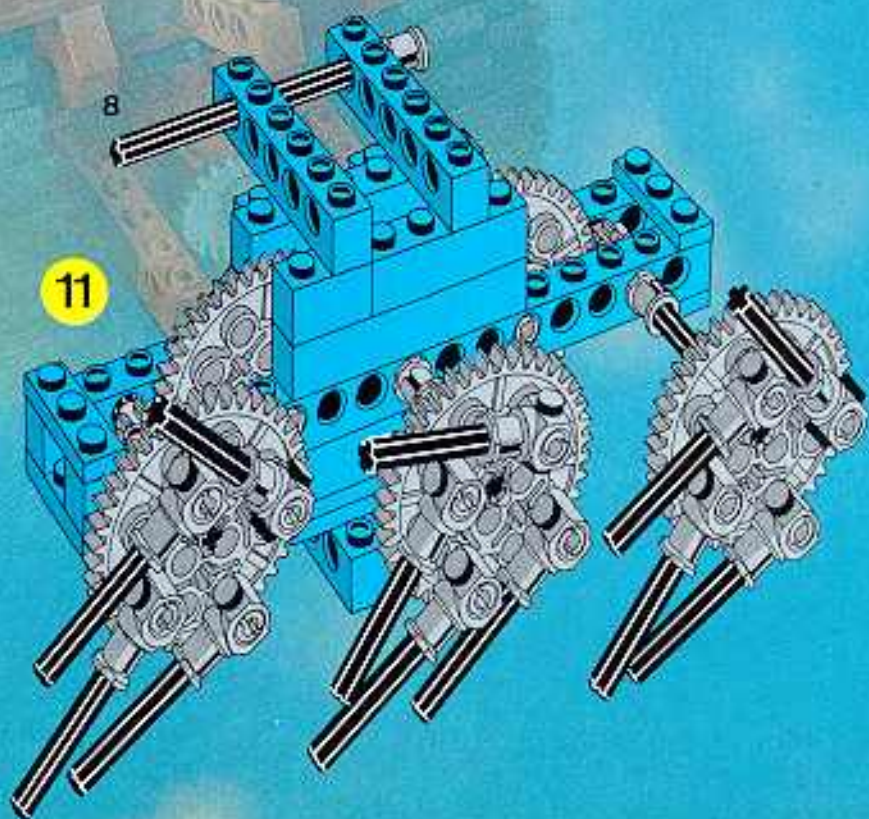


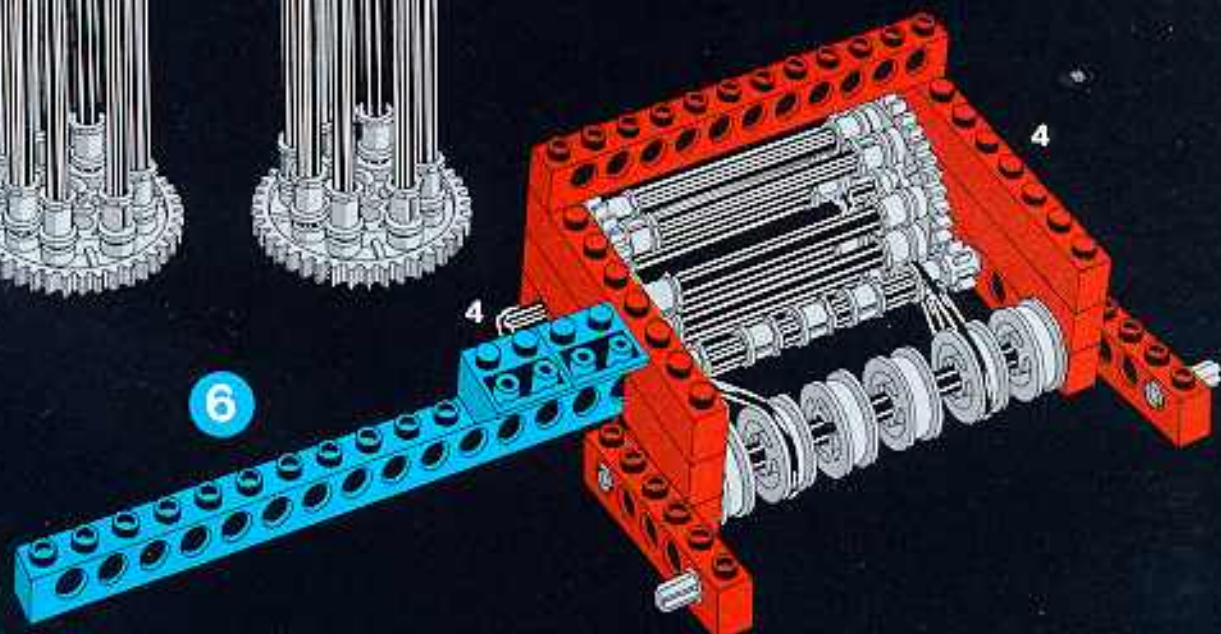
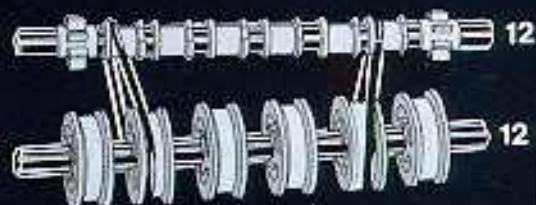
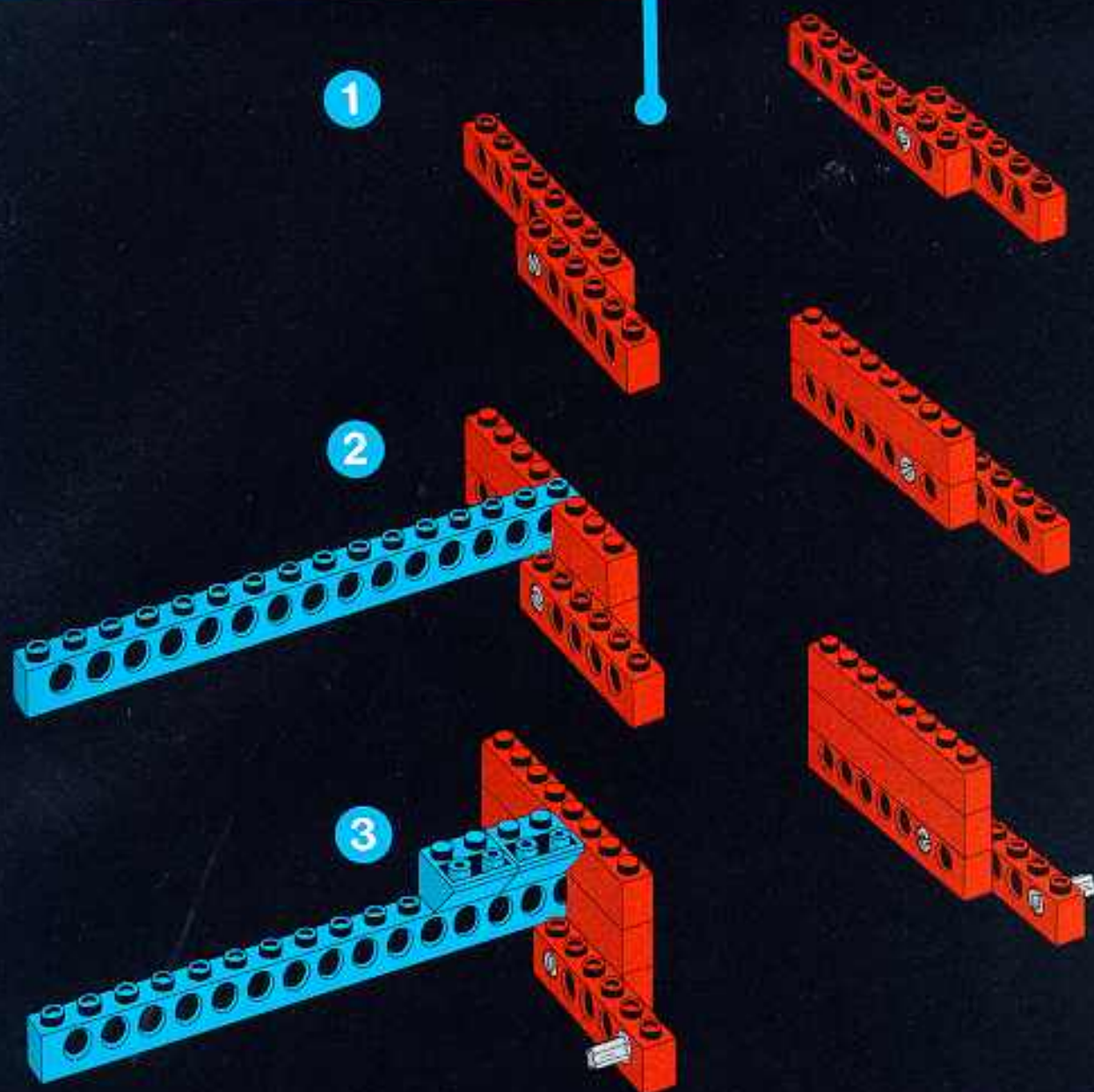
10

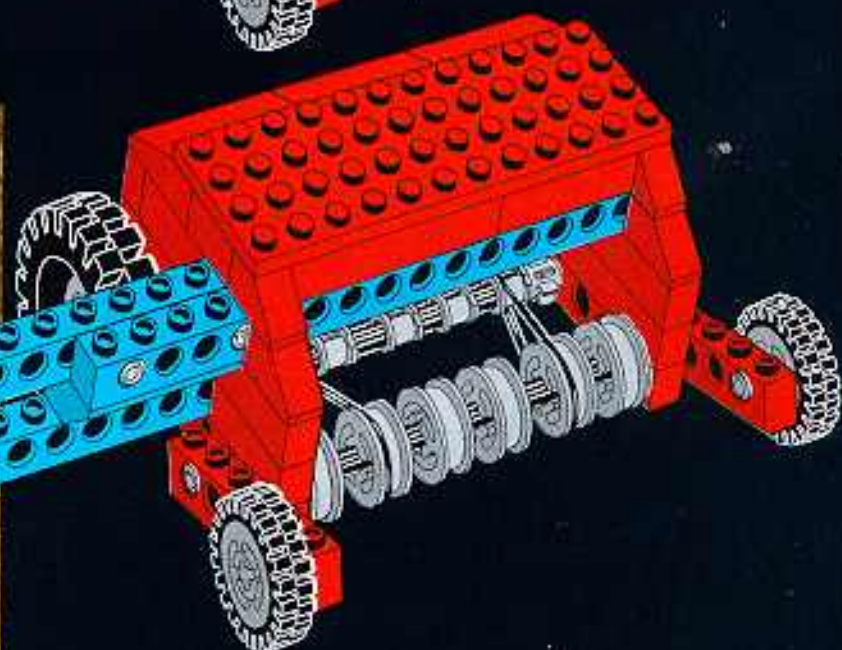
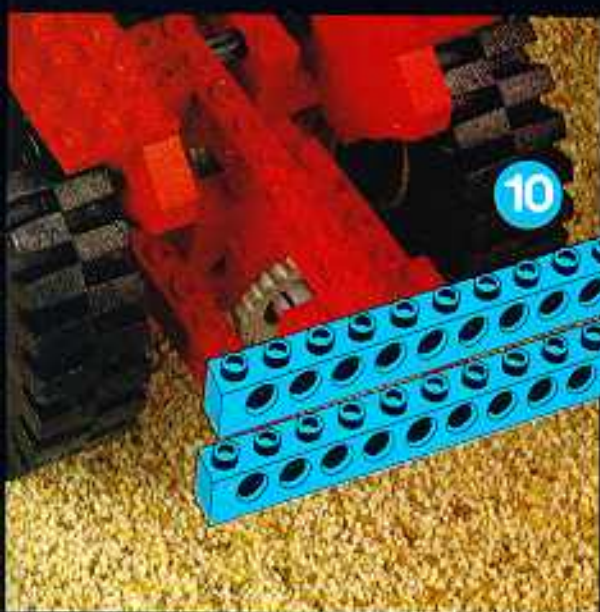
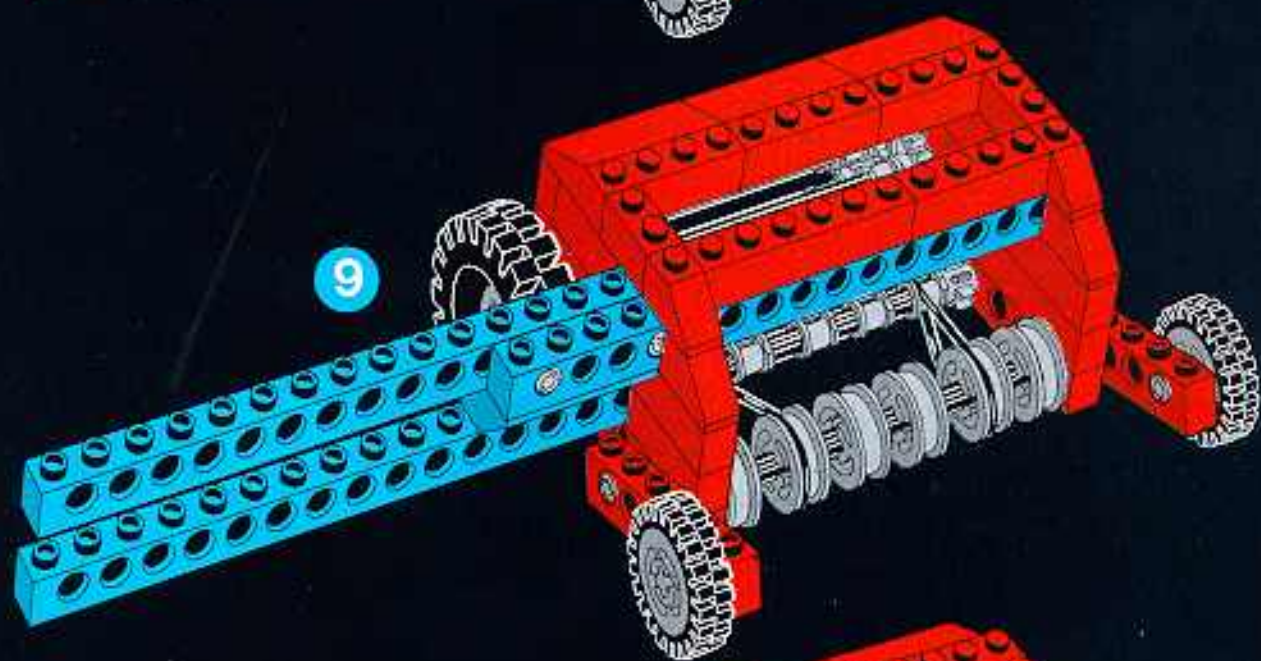
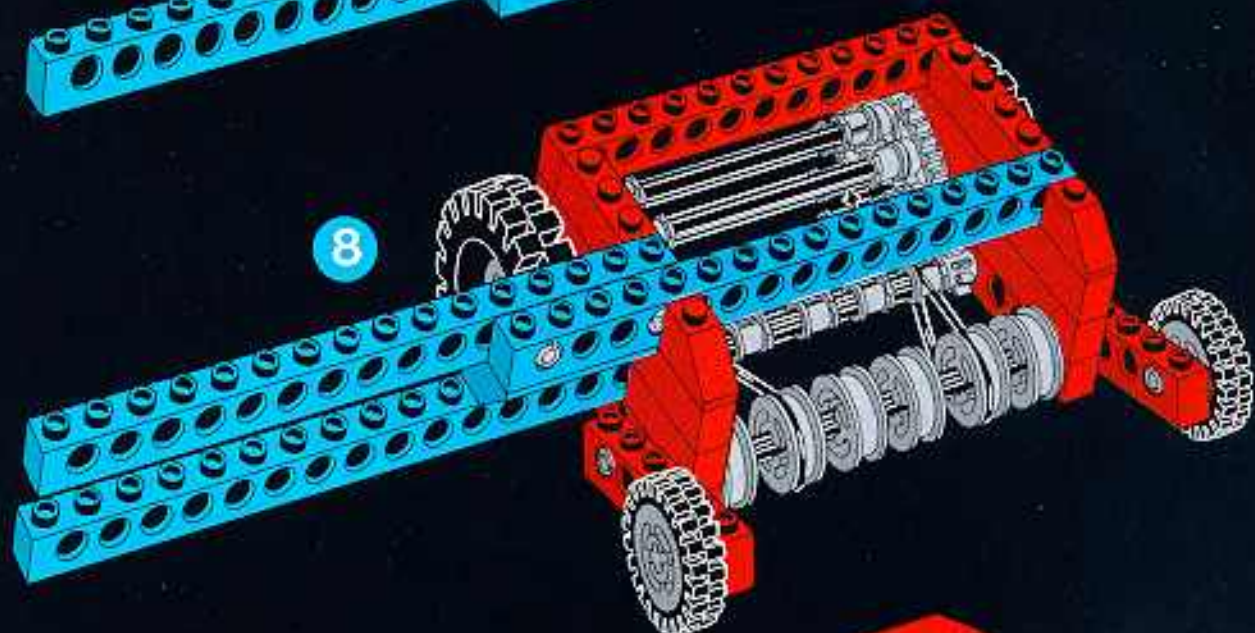
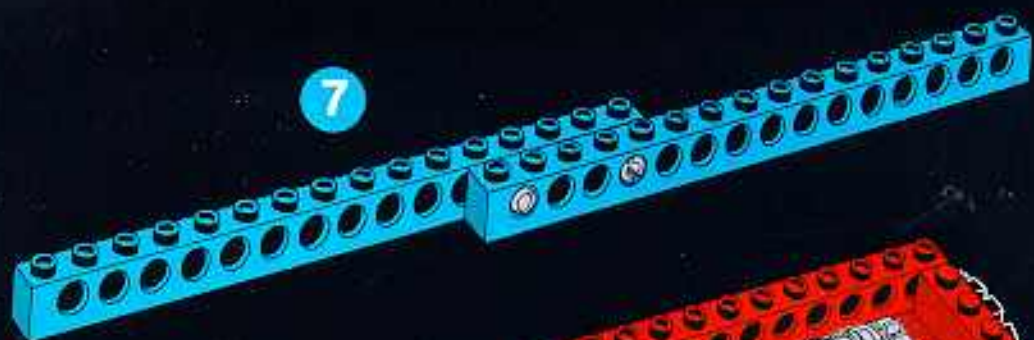


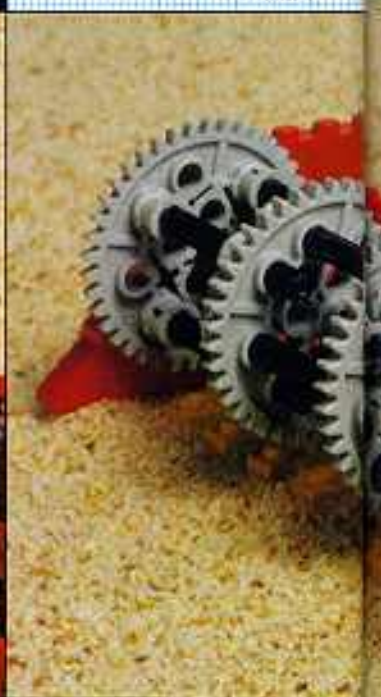
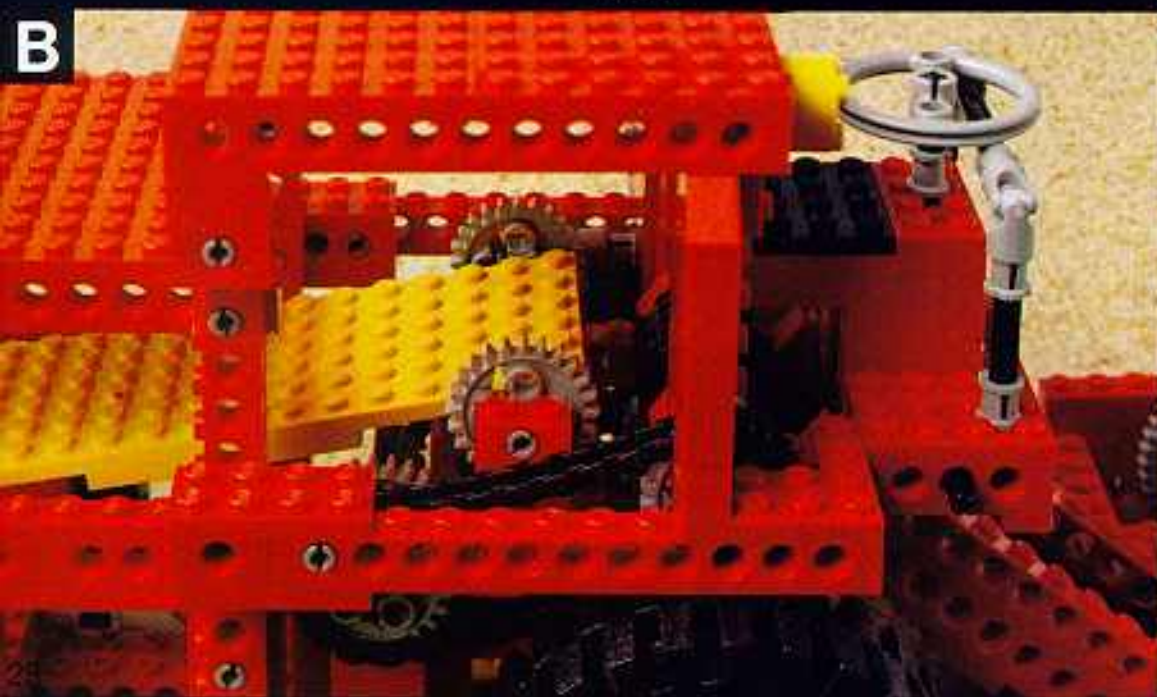
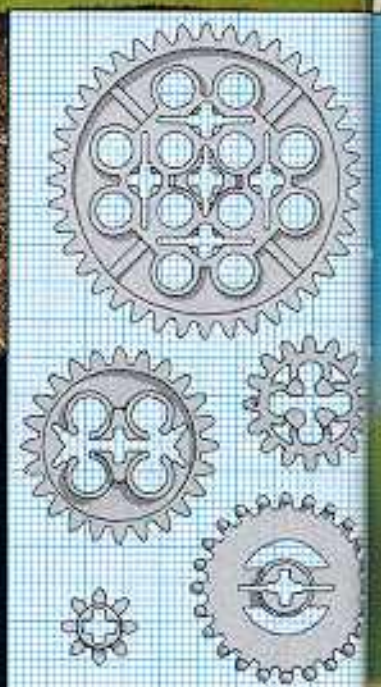
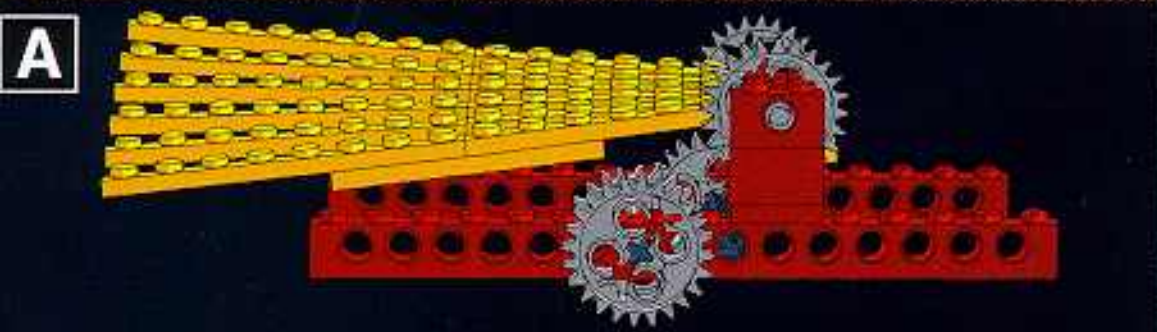
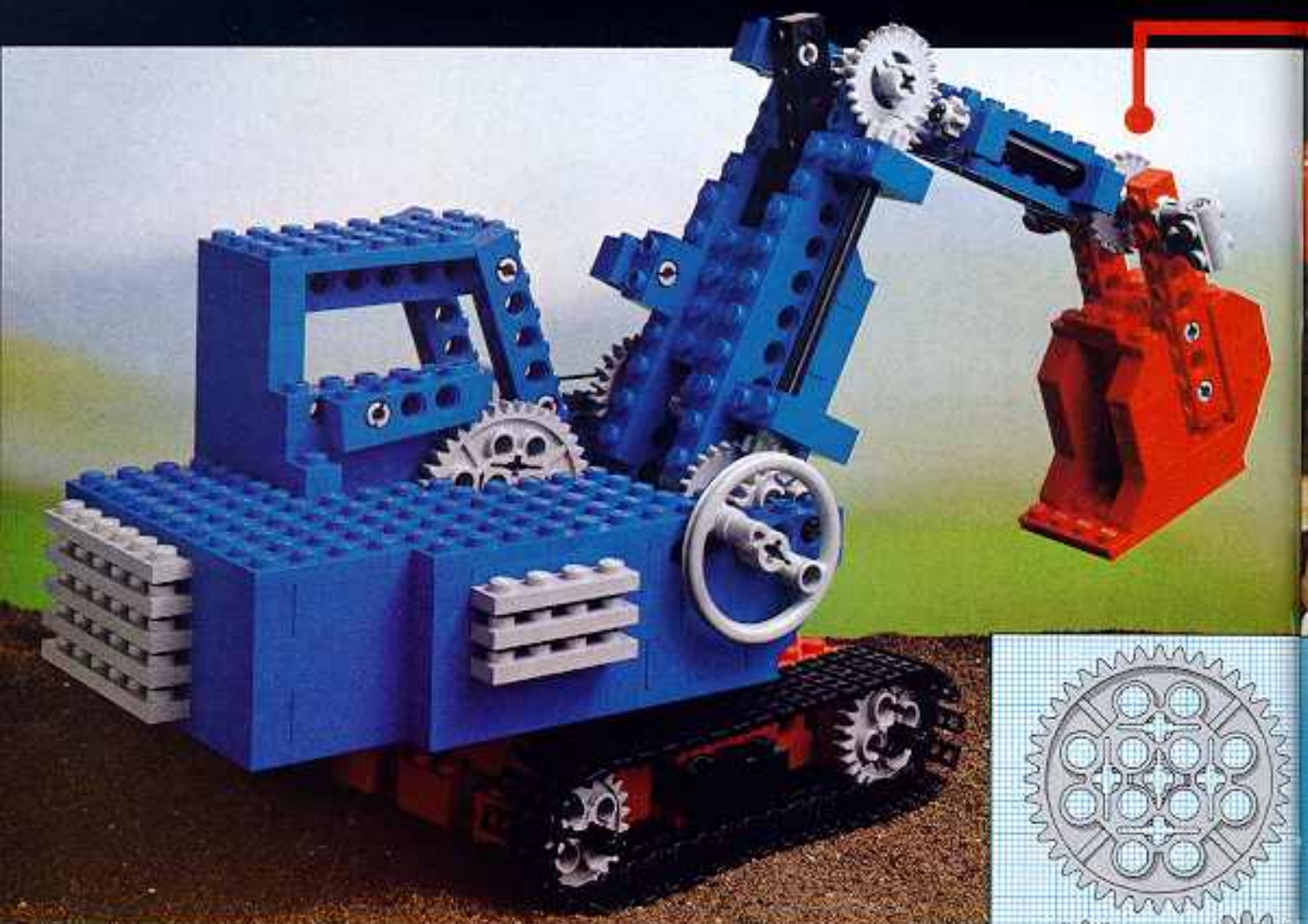
x3

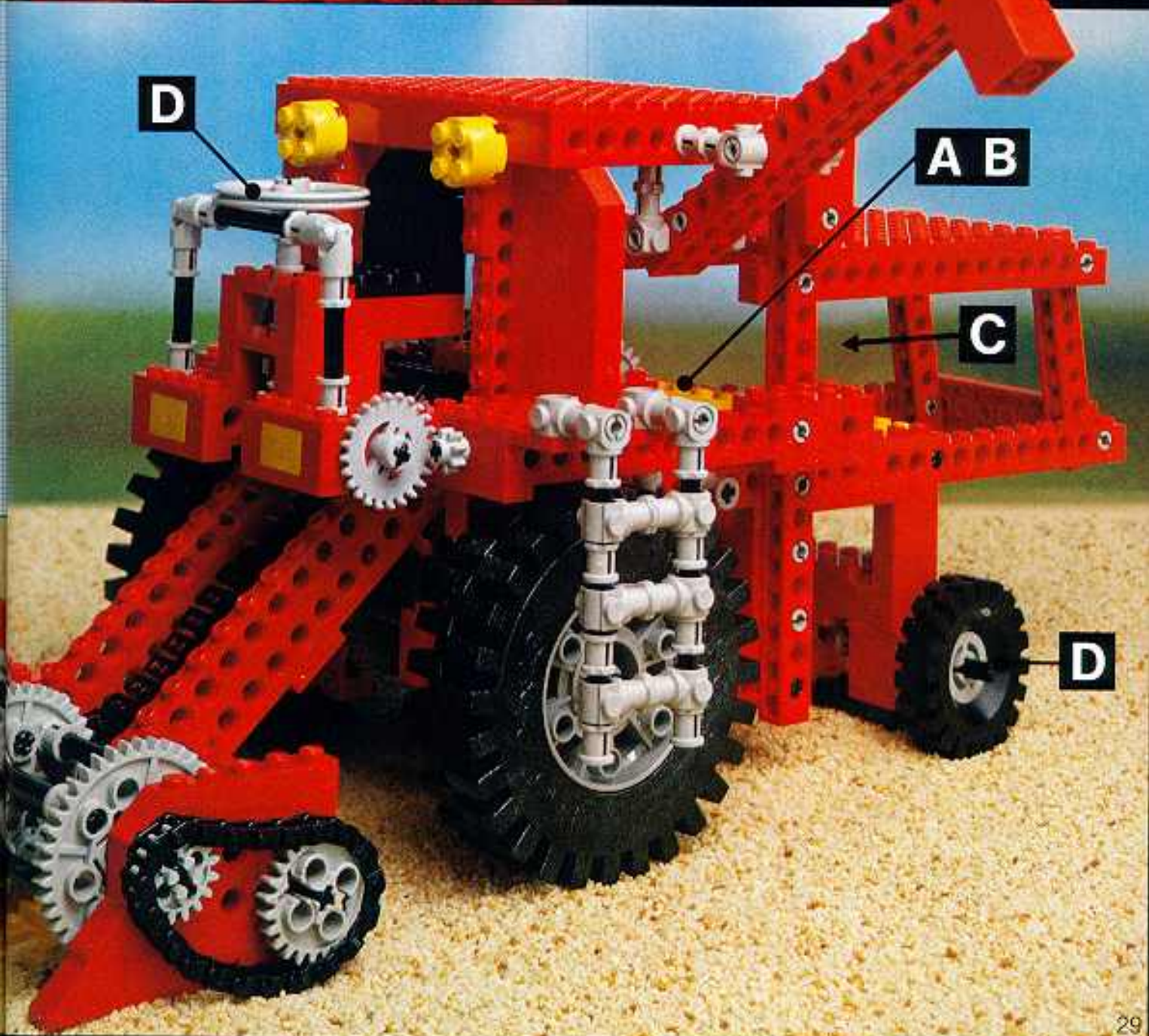
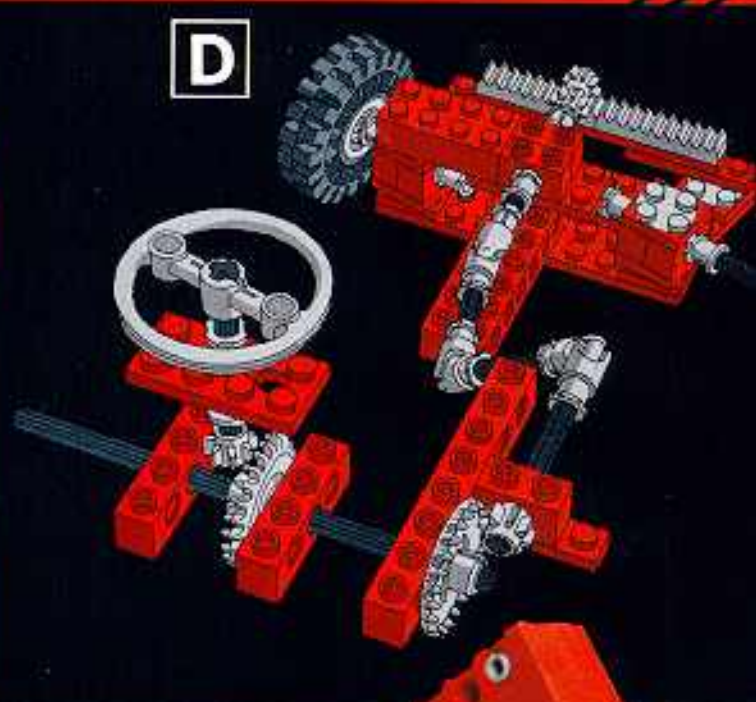
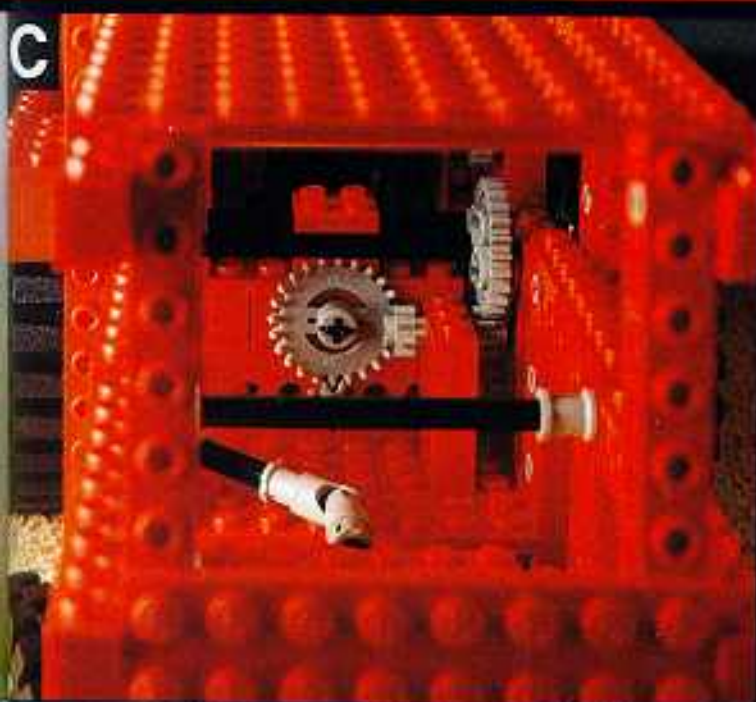
11

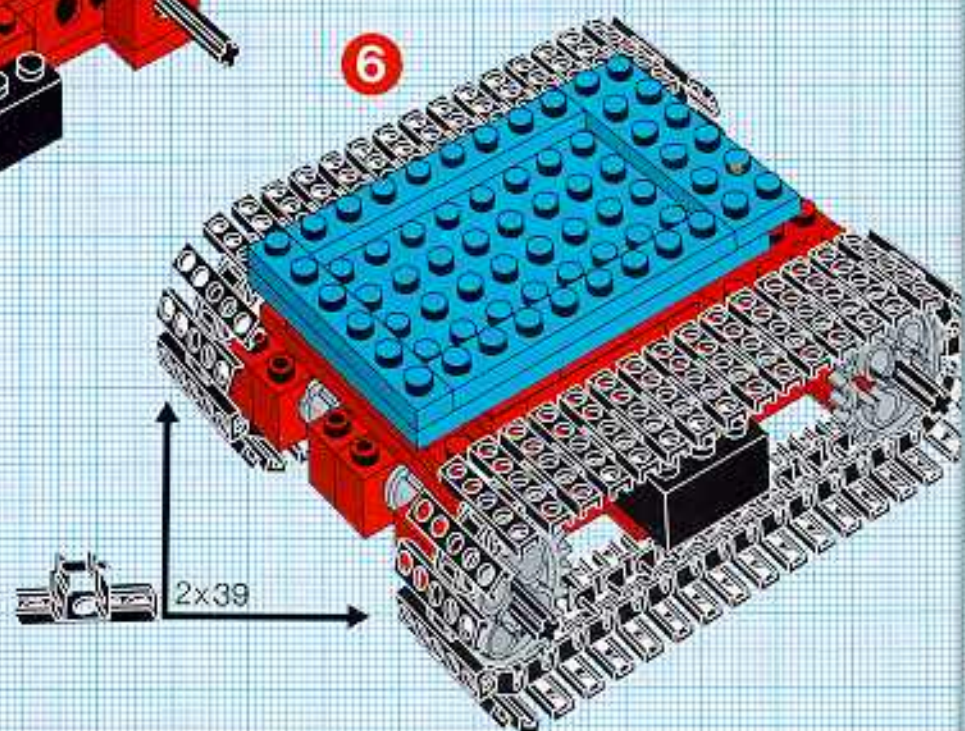
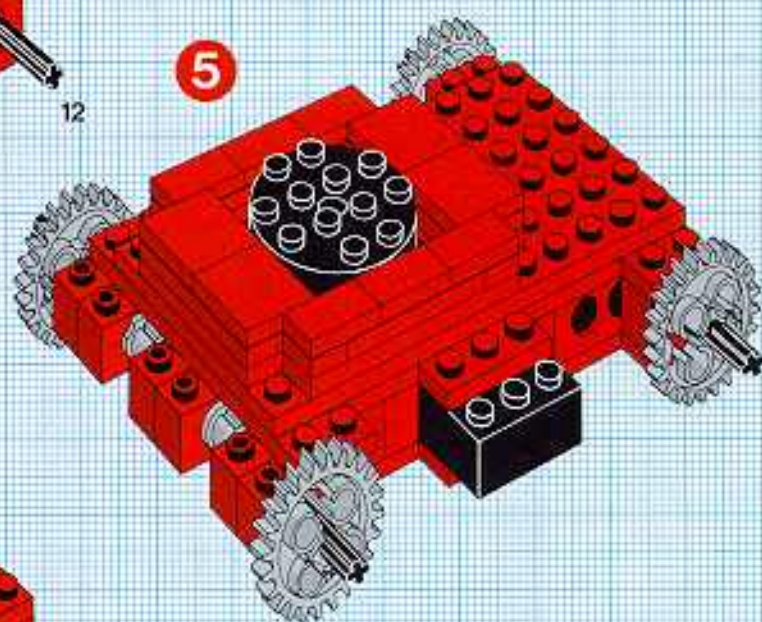
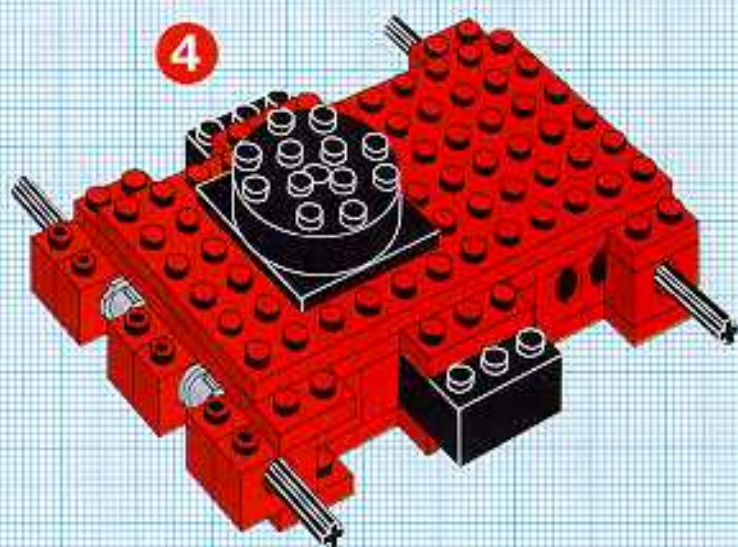
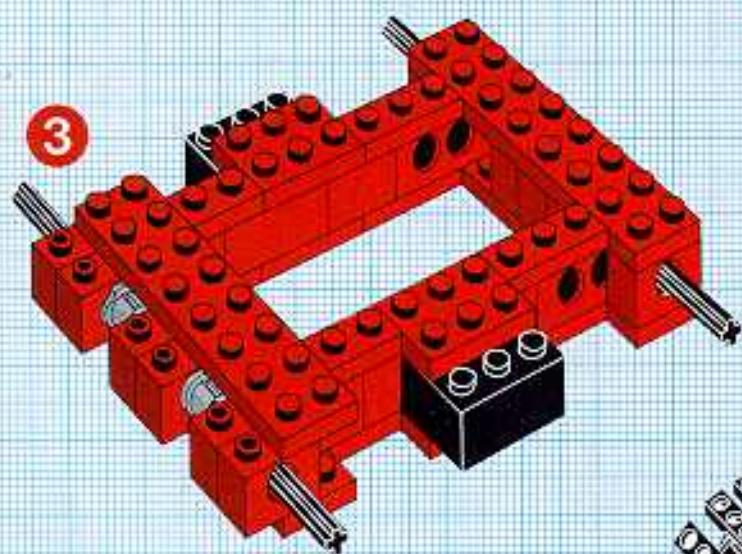
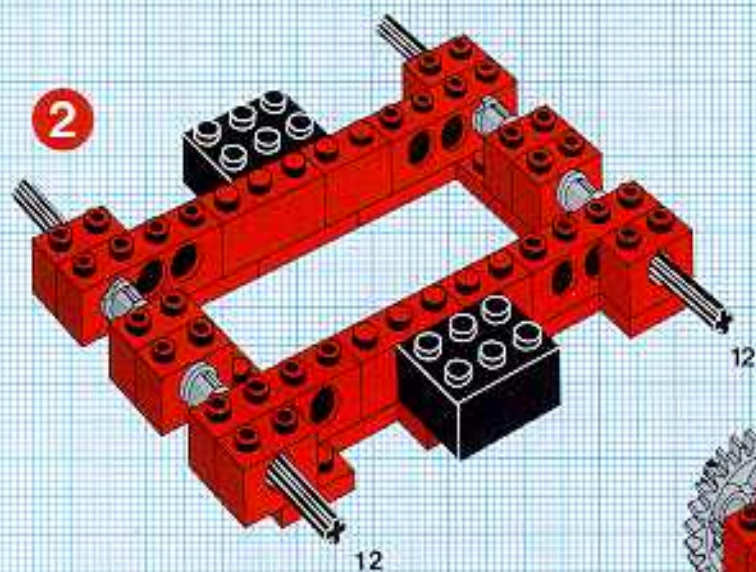
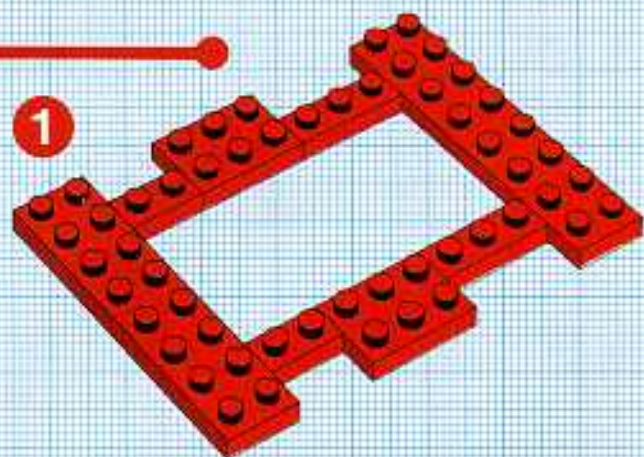




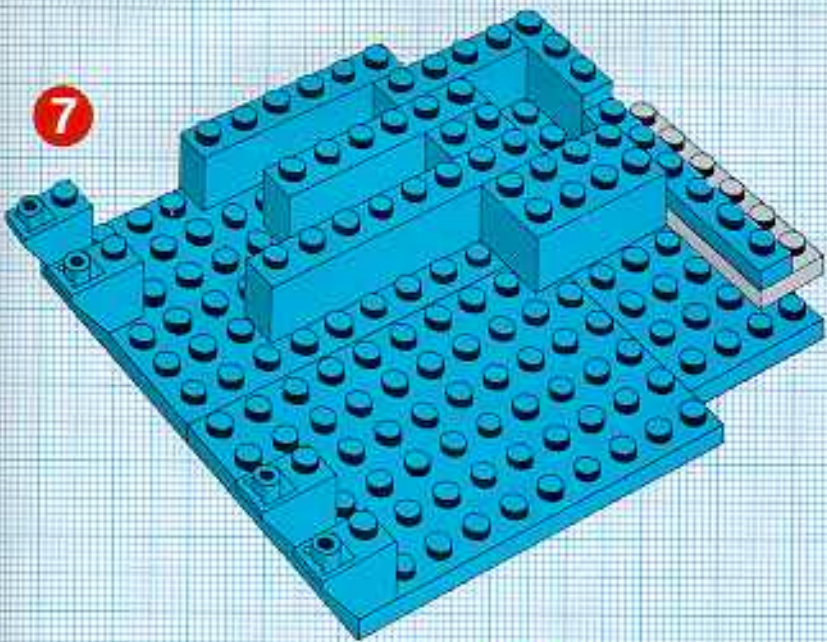




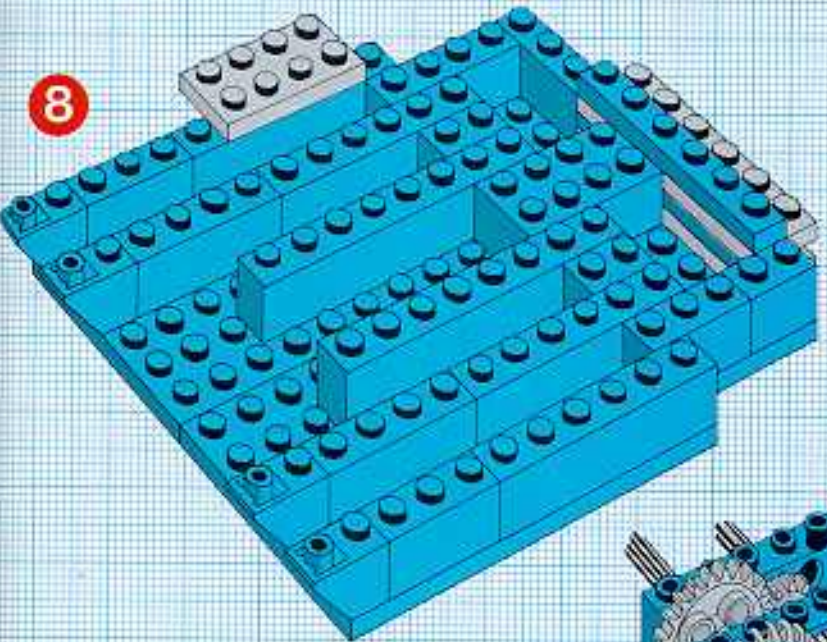




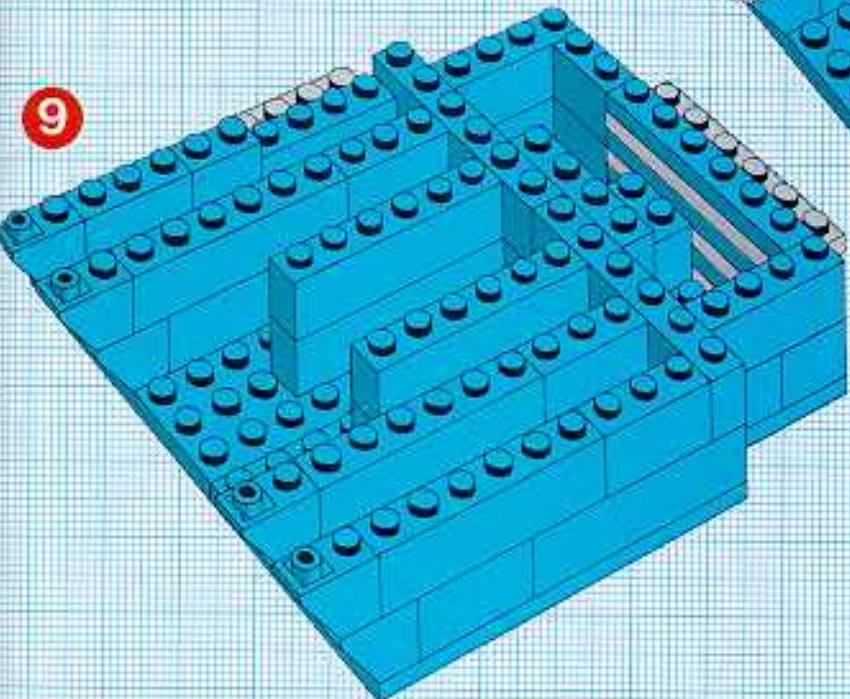
7



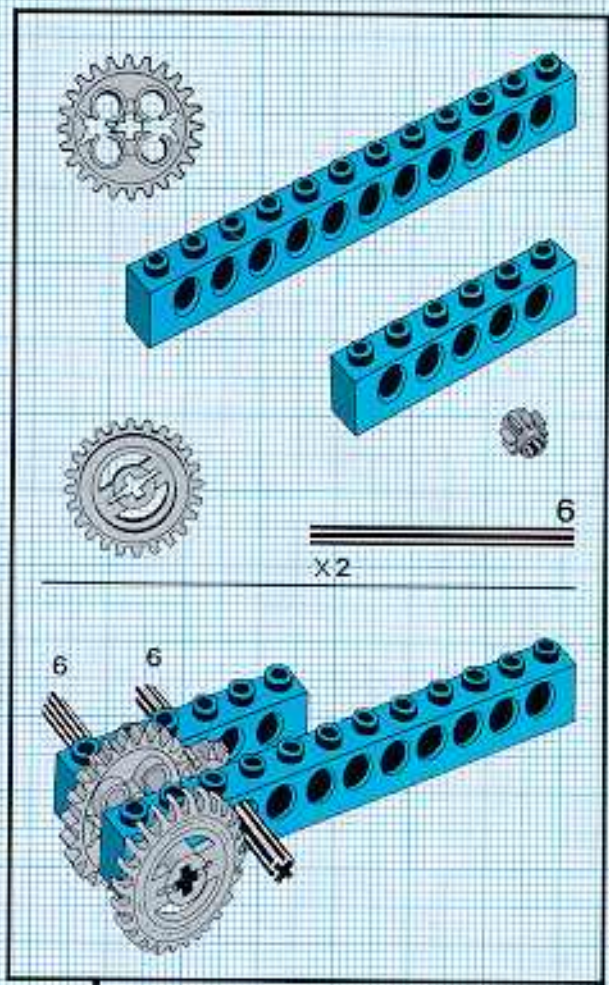
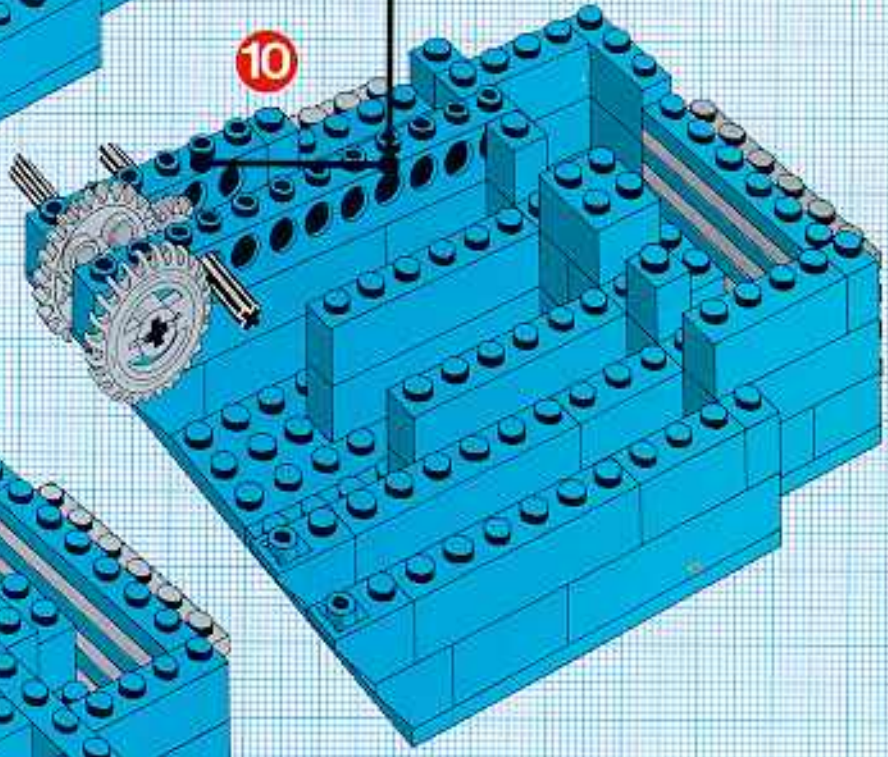
8



9



10

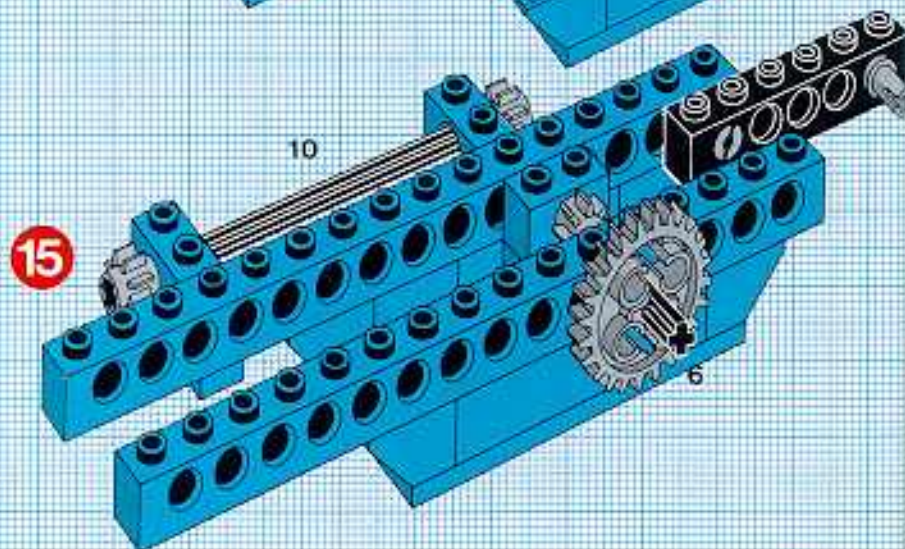
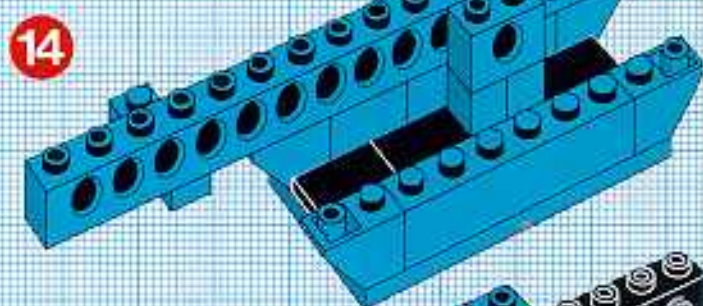
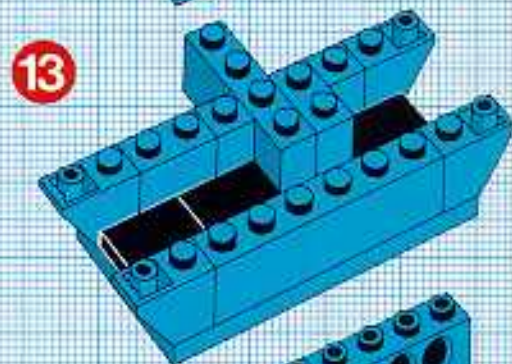
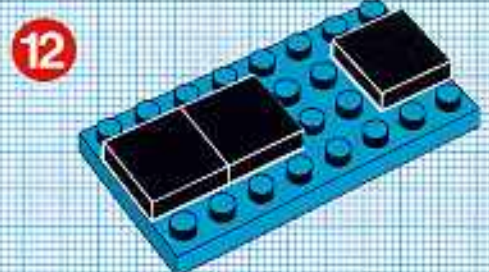
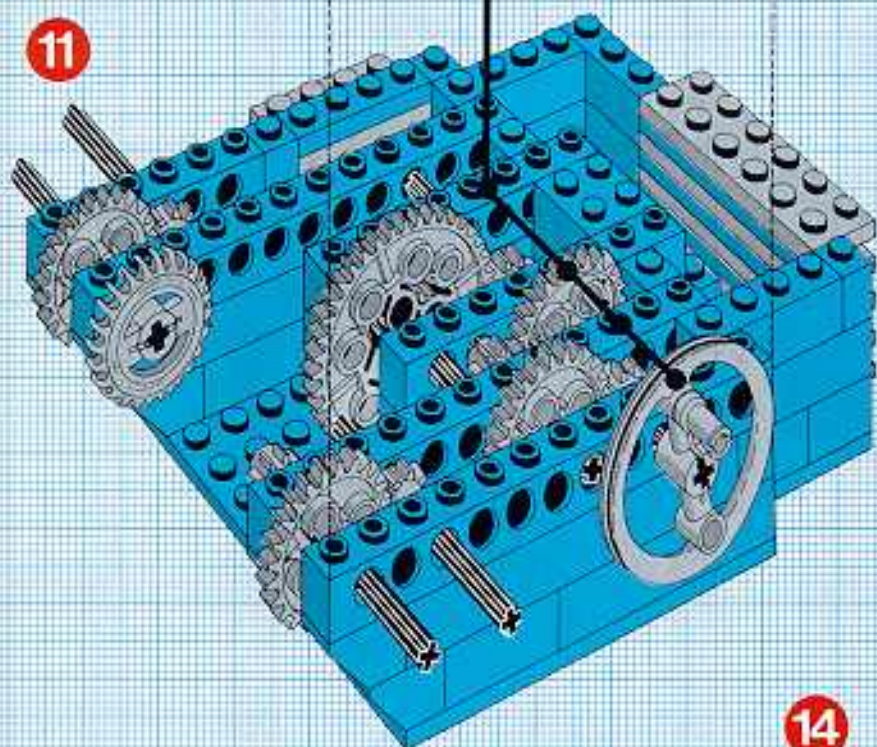
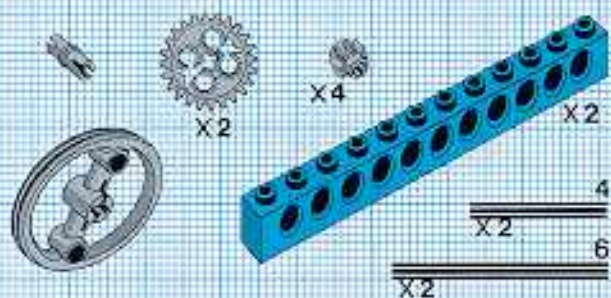
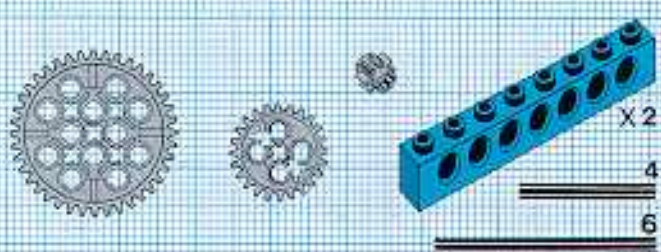
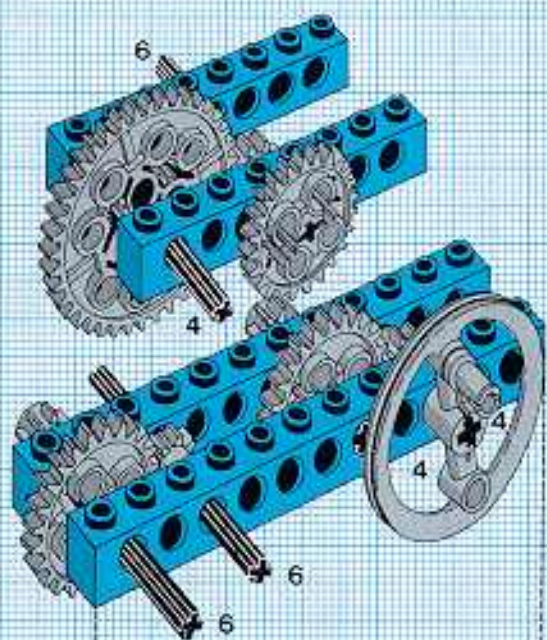


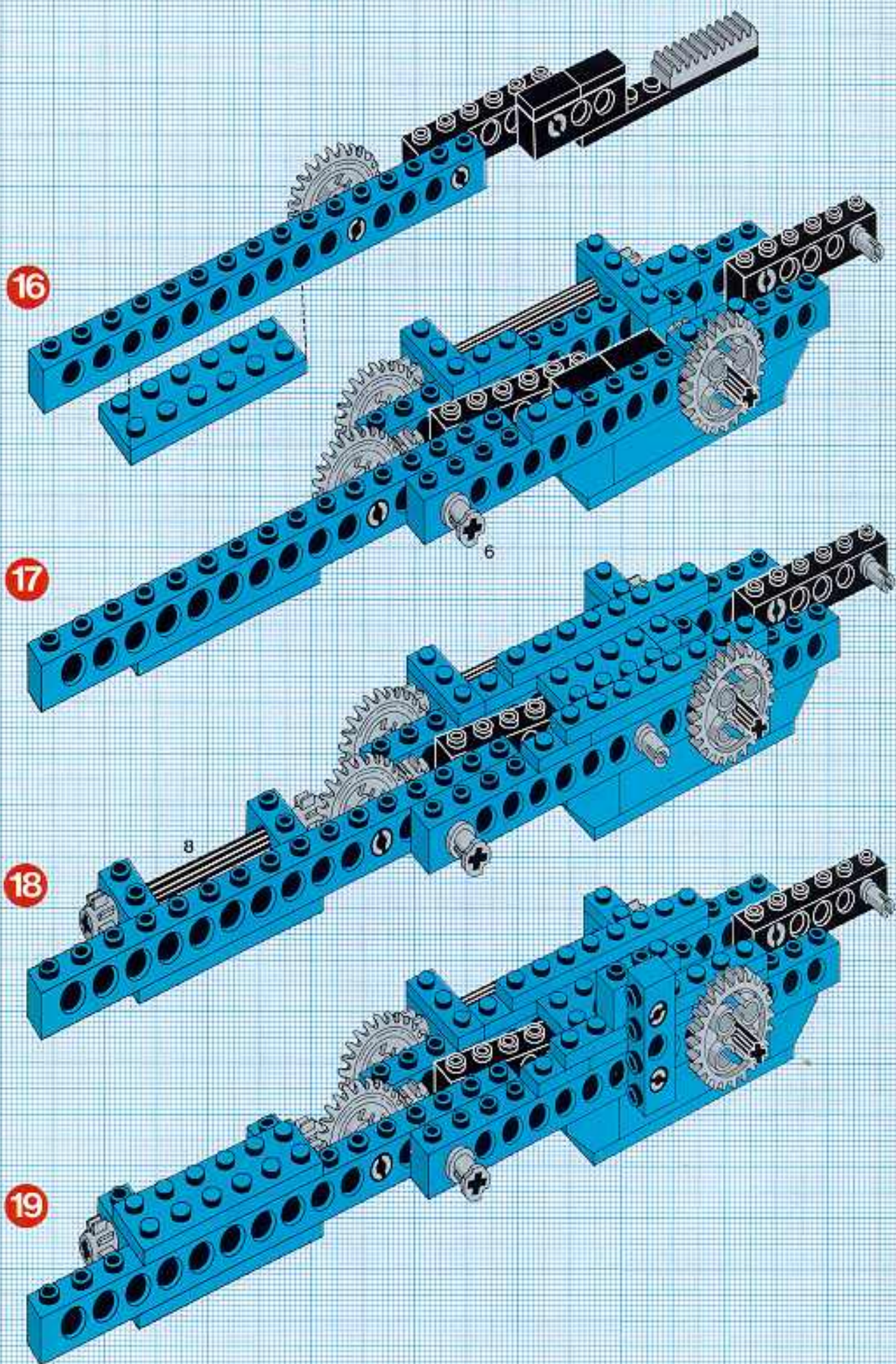
6

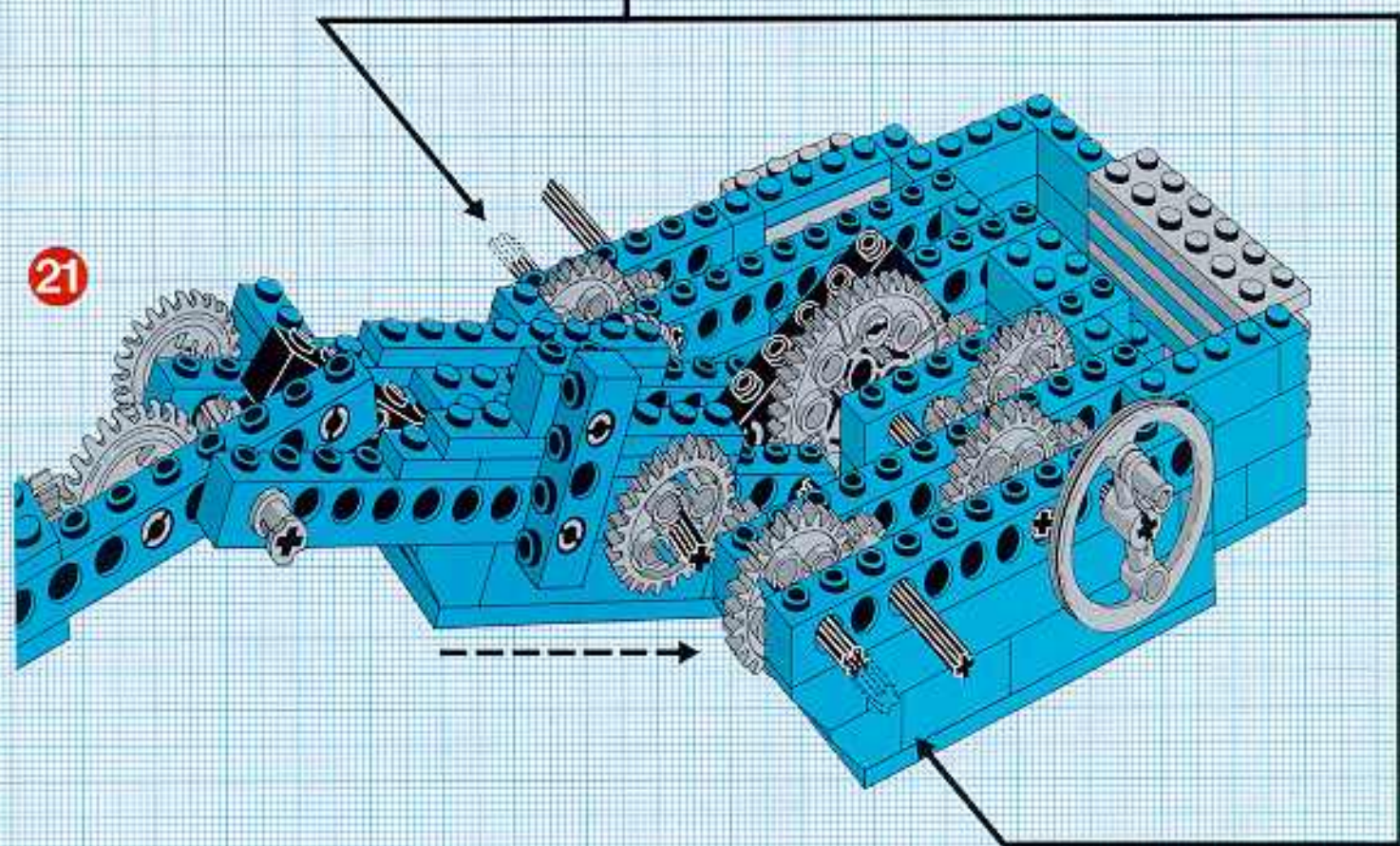
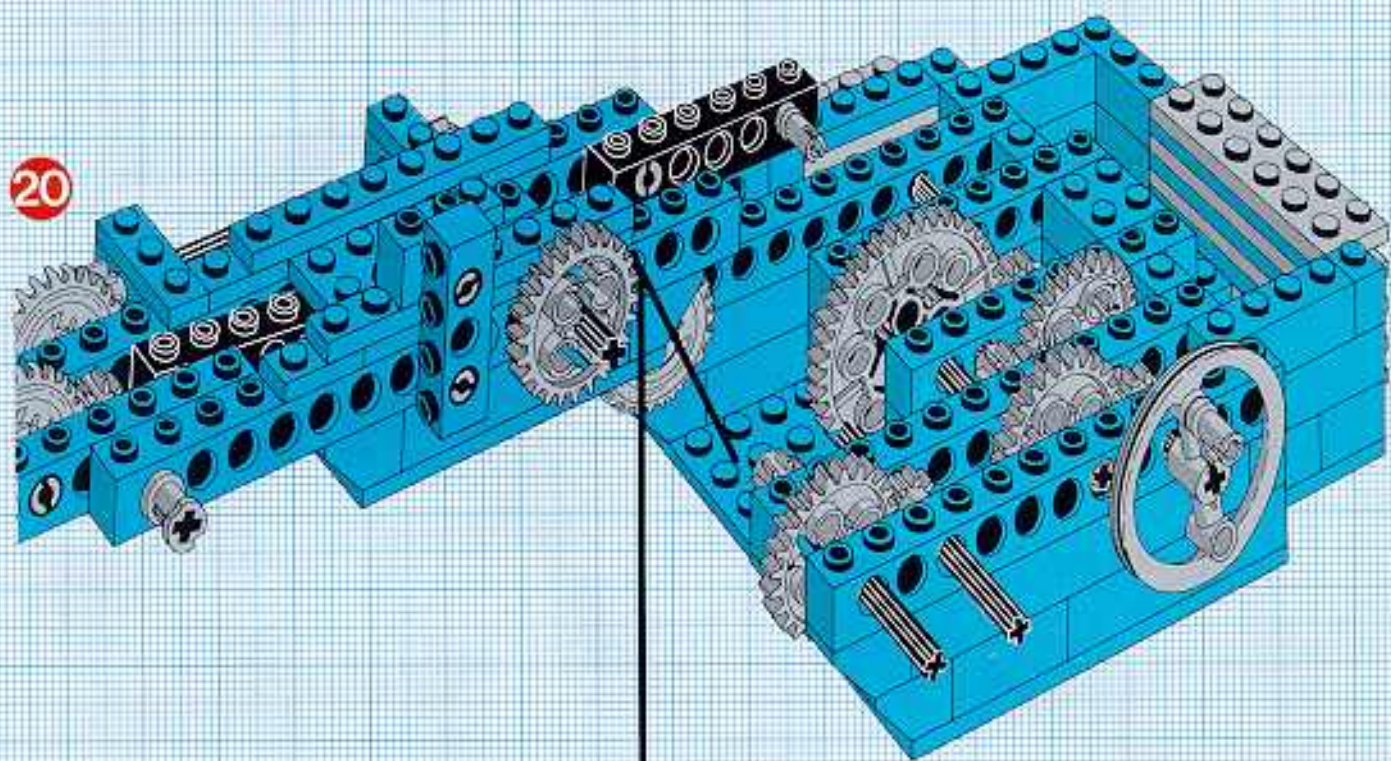
X2

6

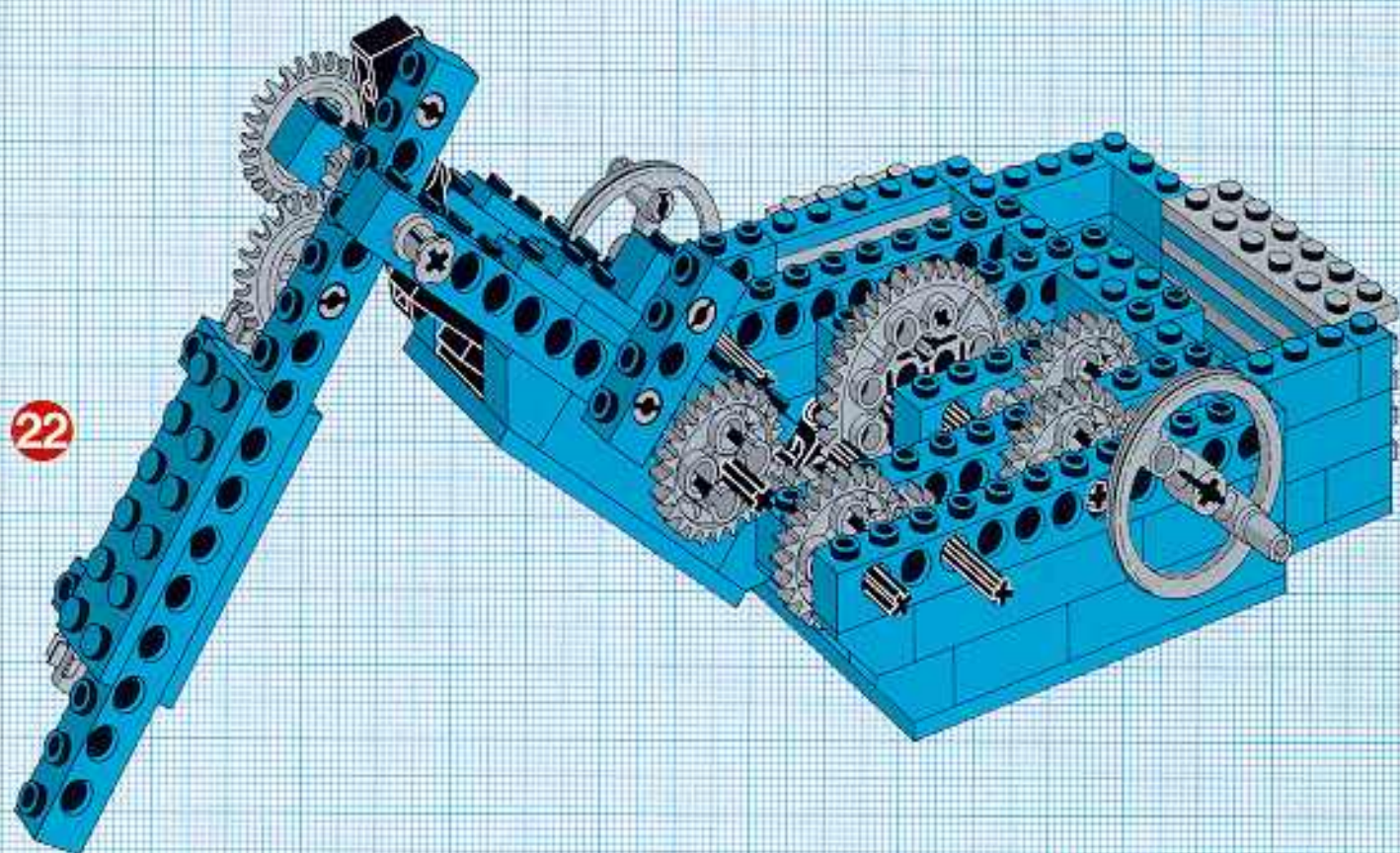
6



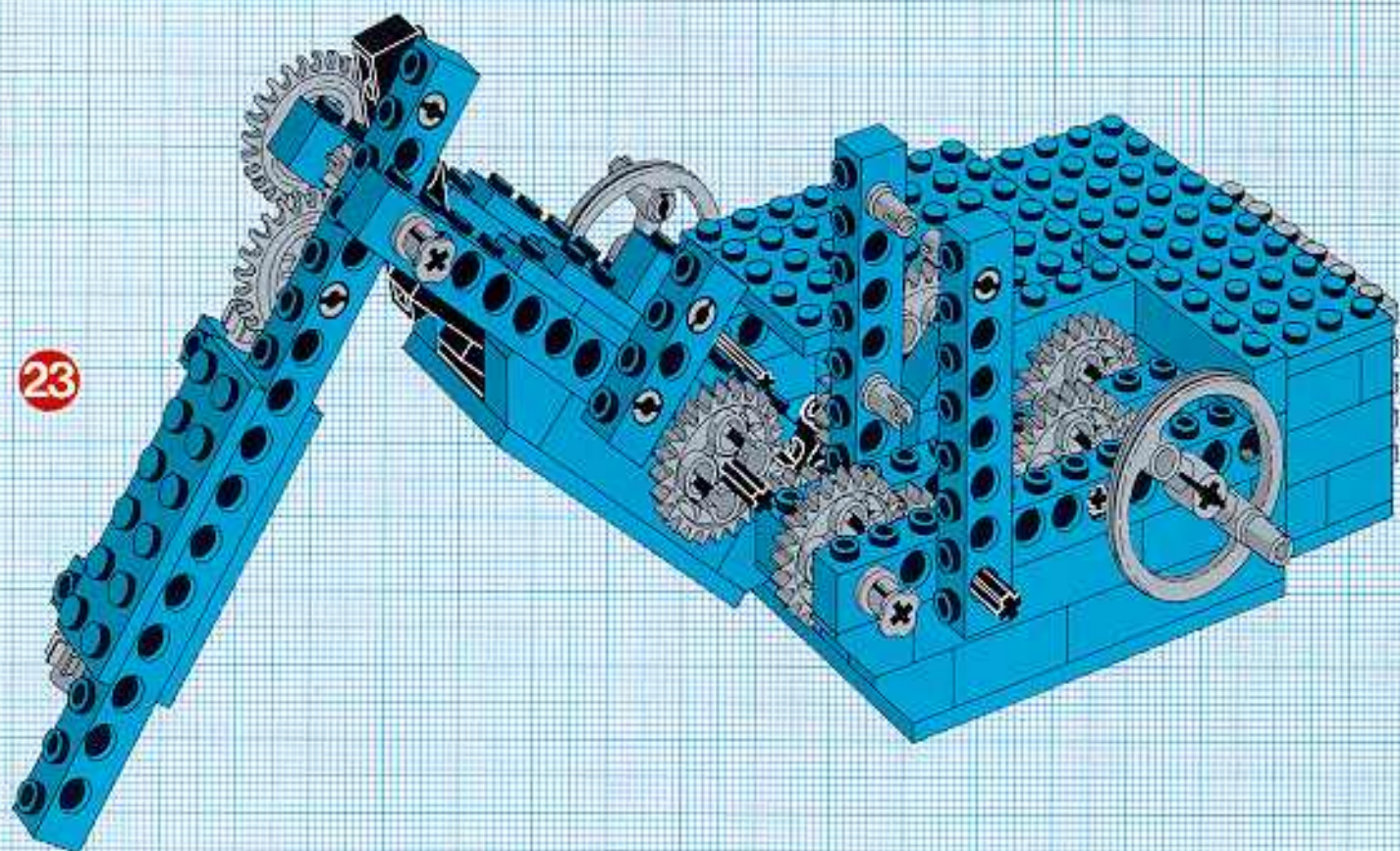


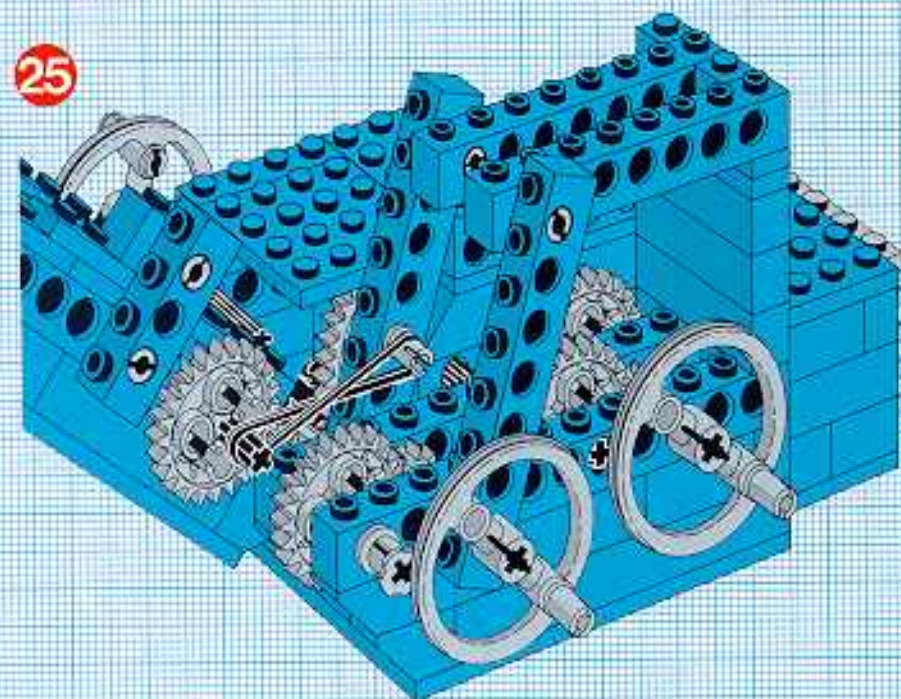
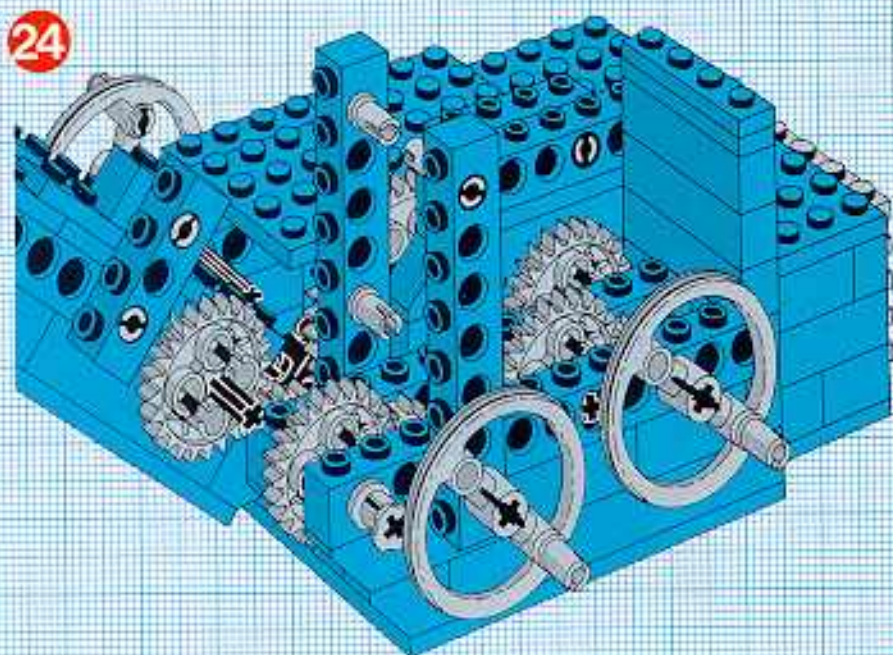
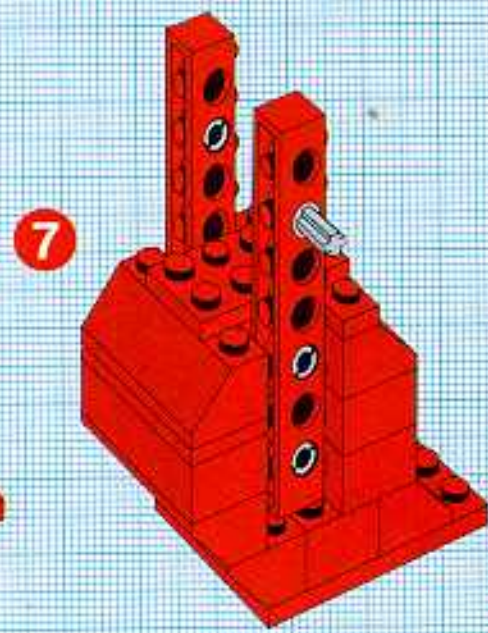
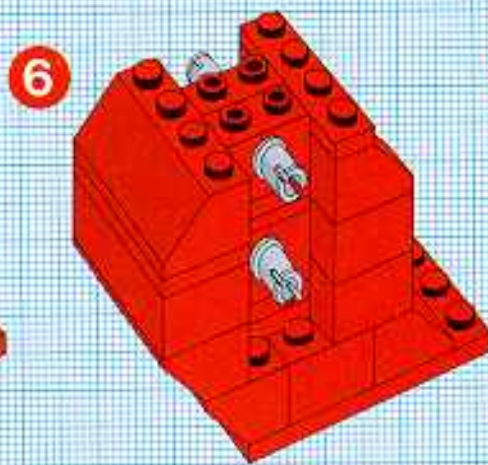
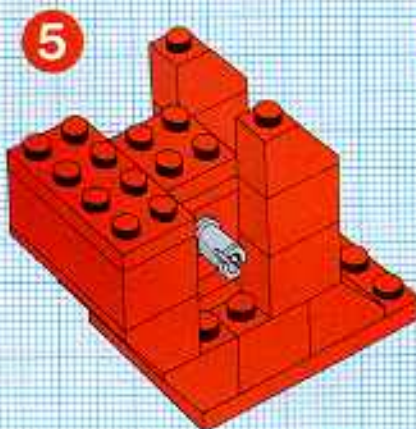
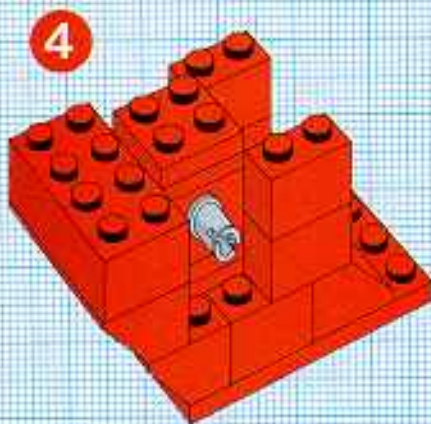
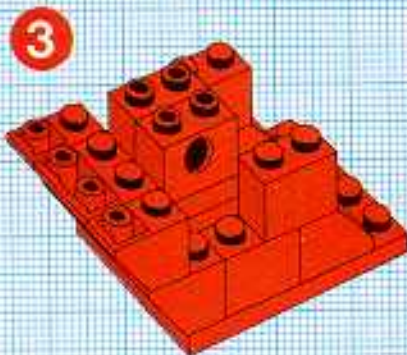
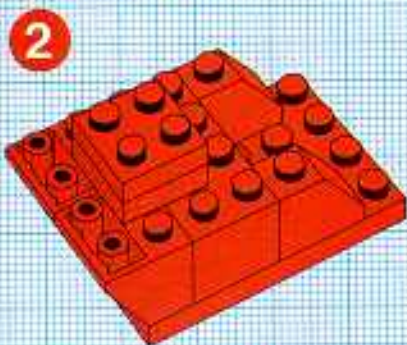
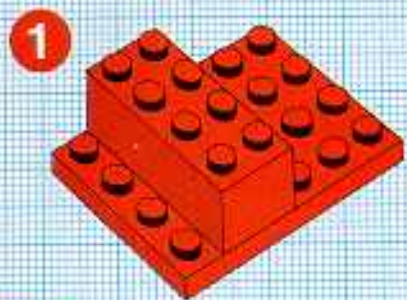


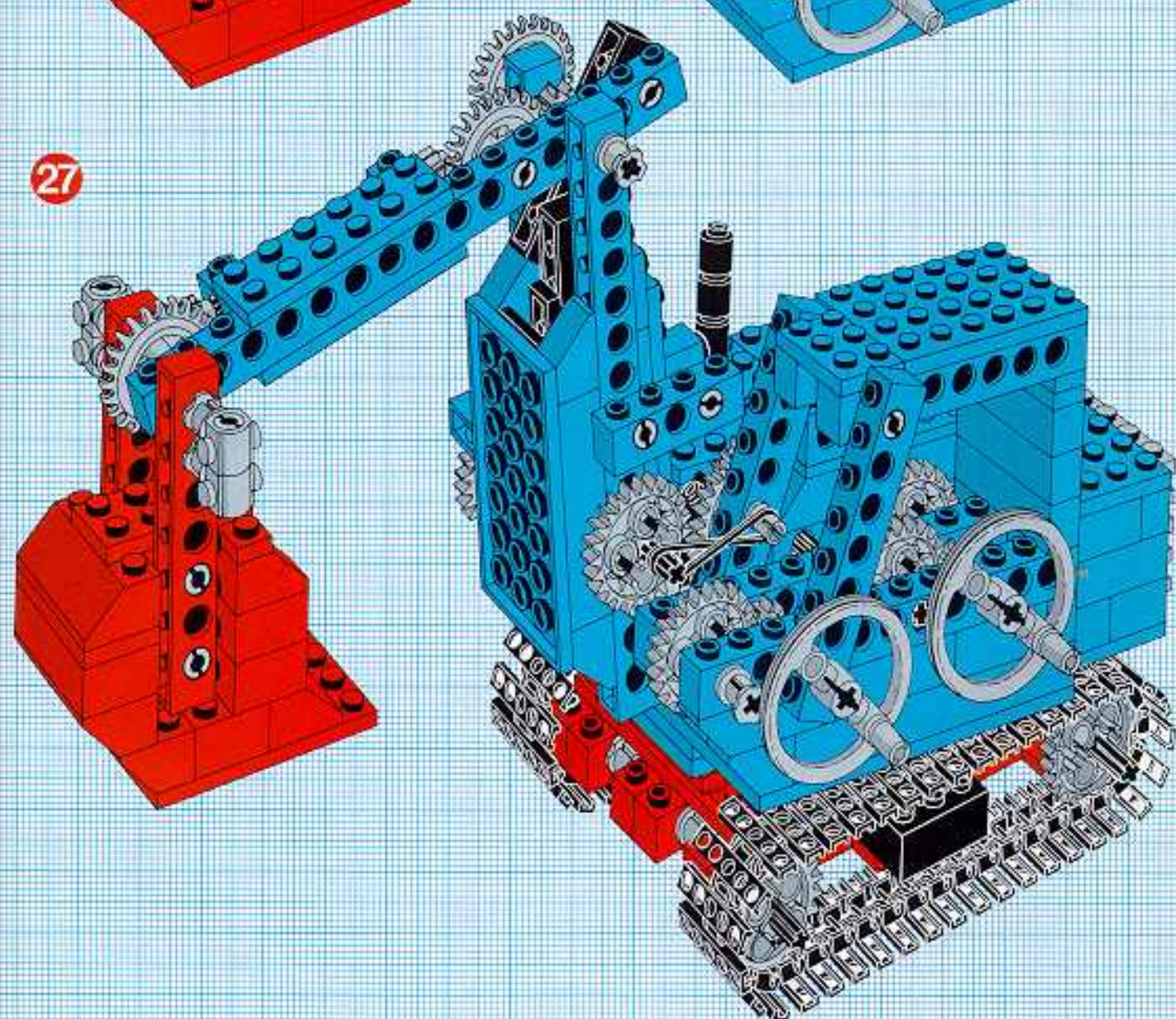
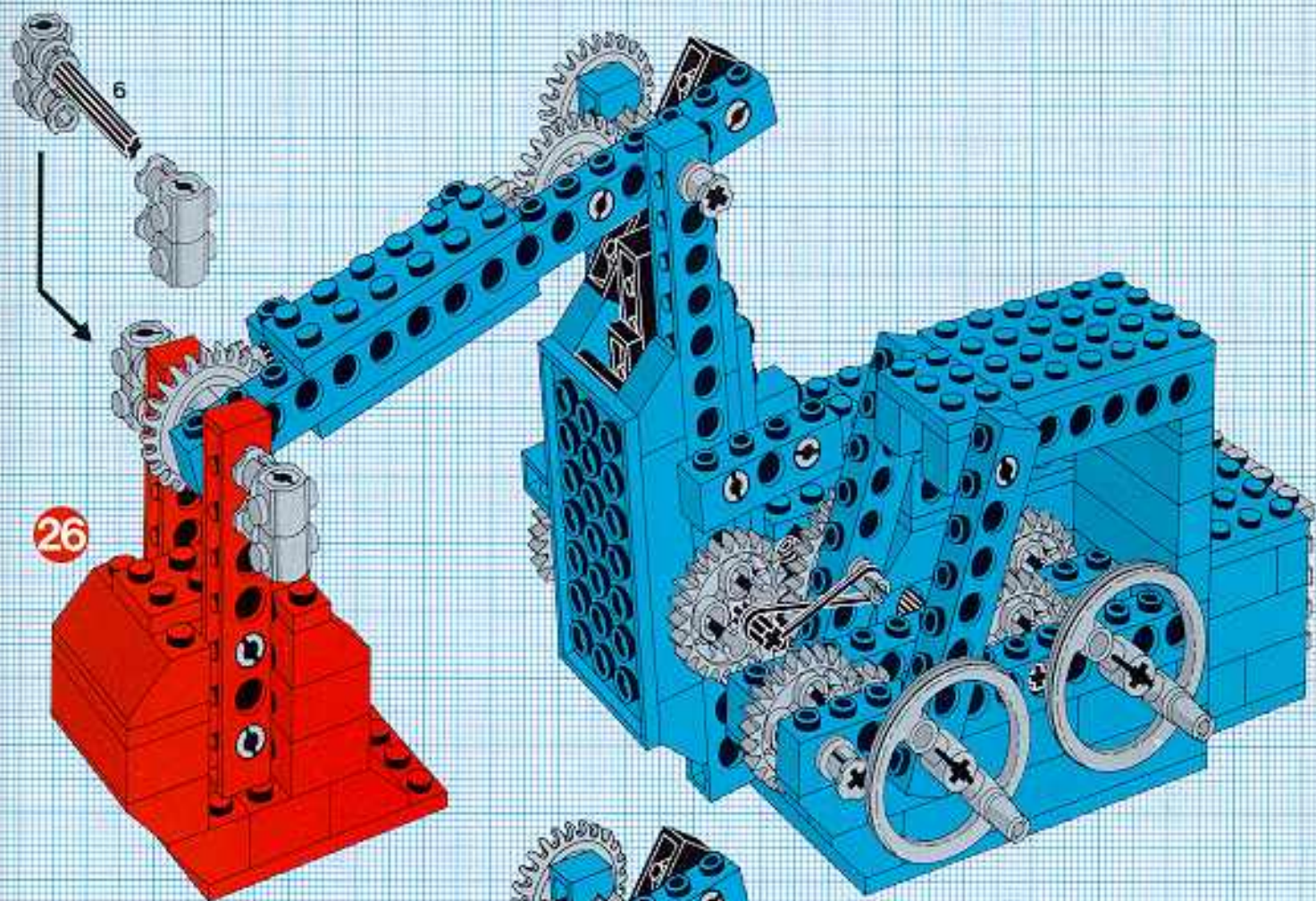
22

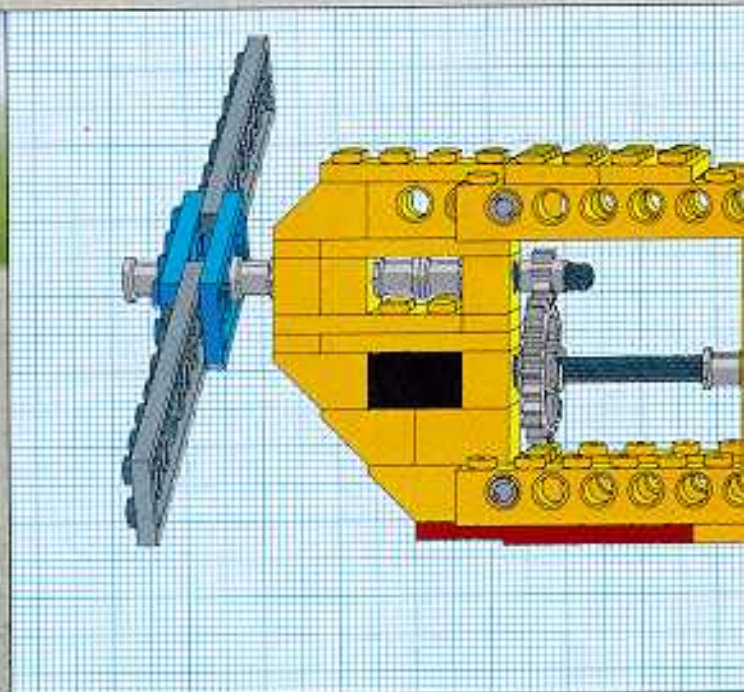


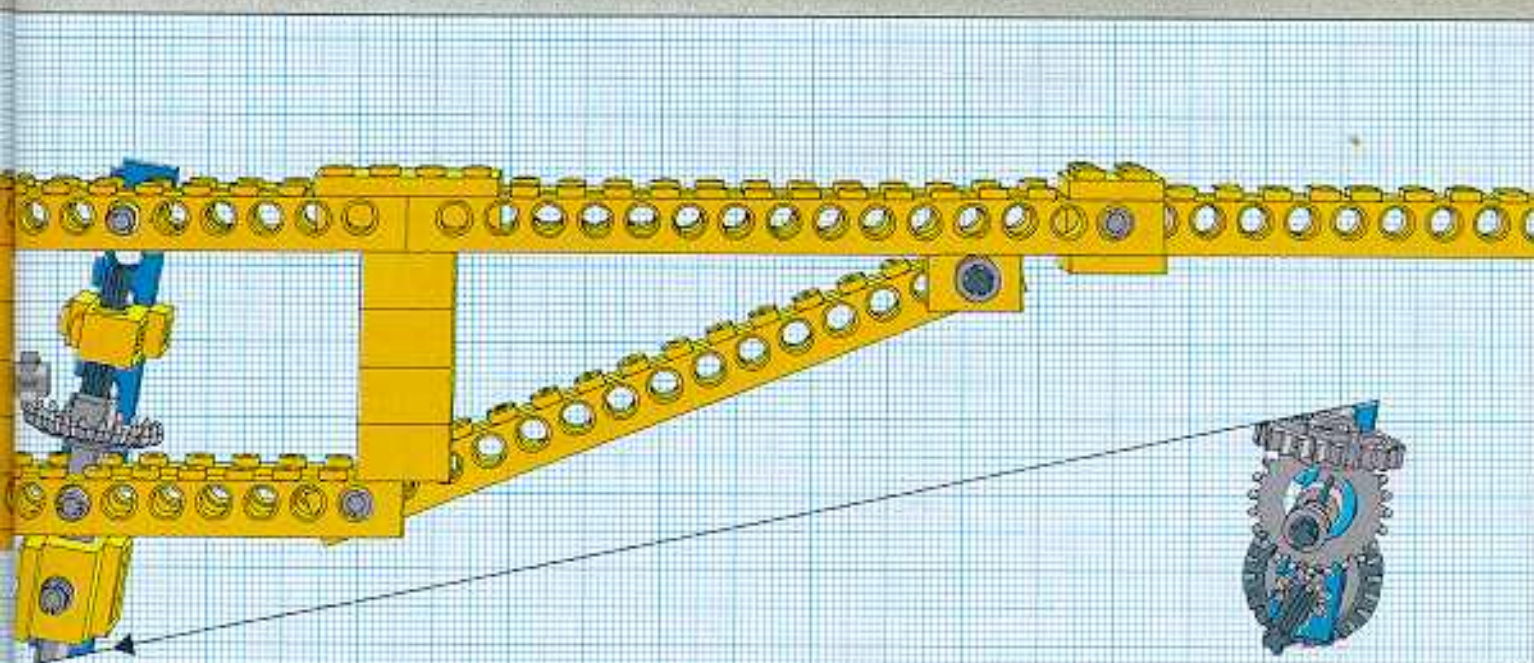
23

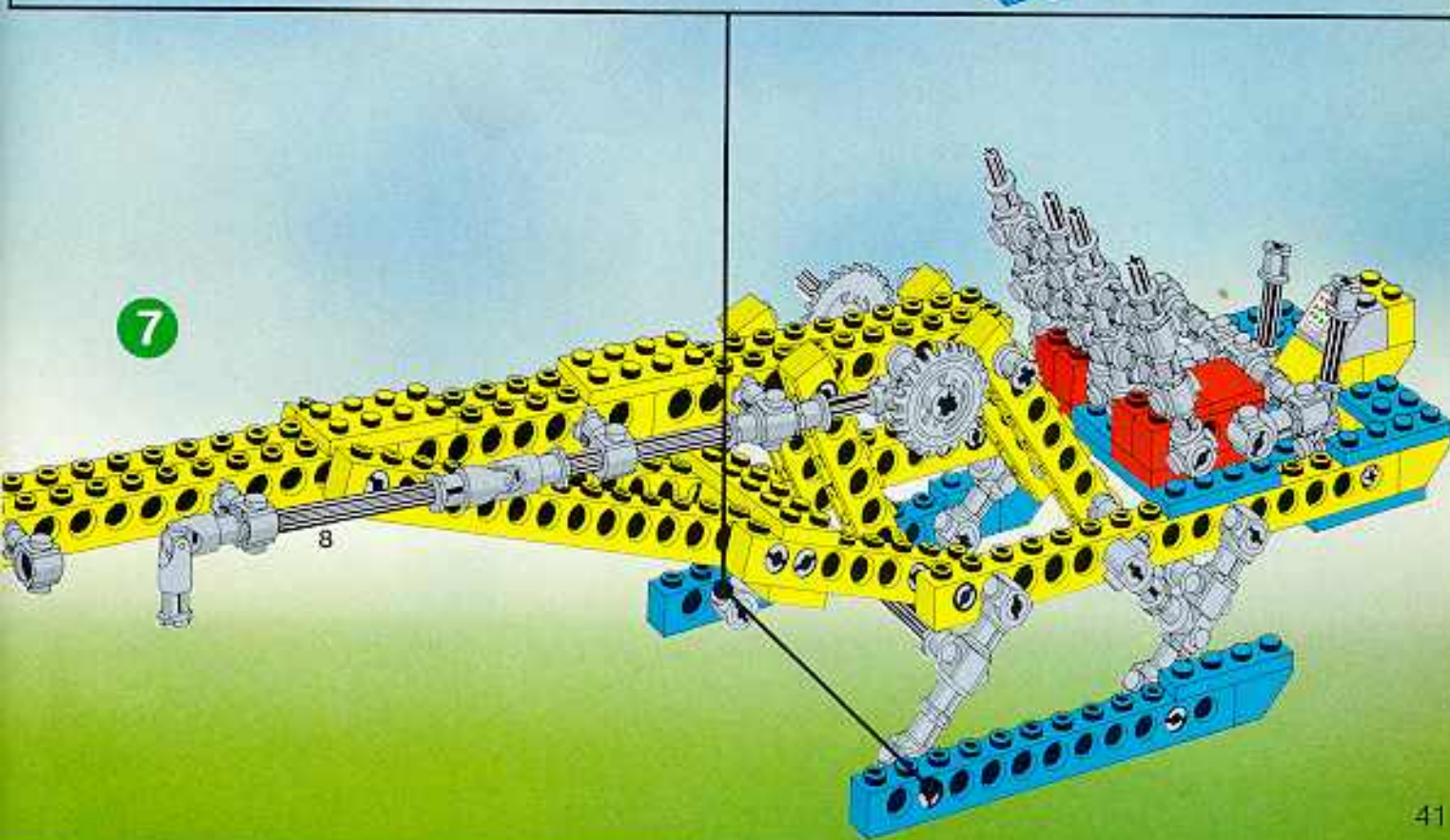
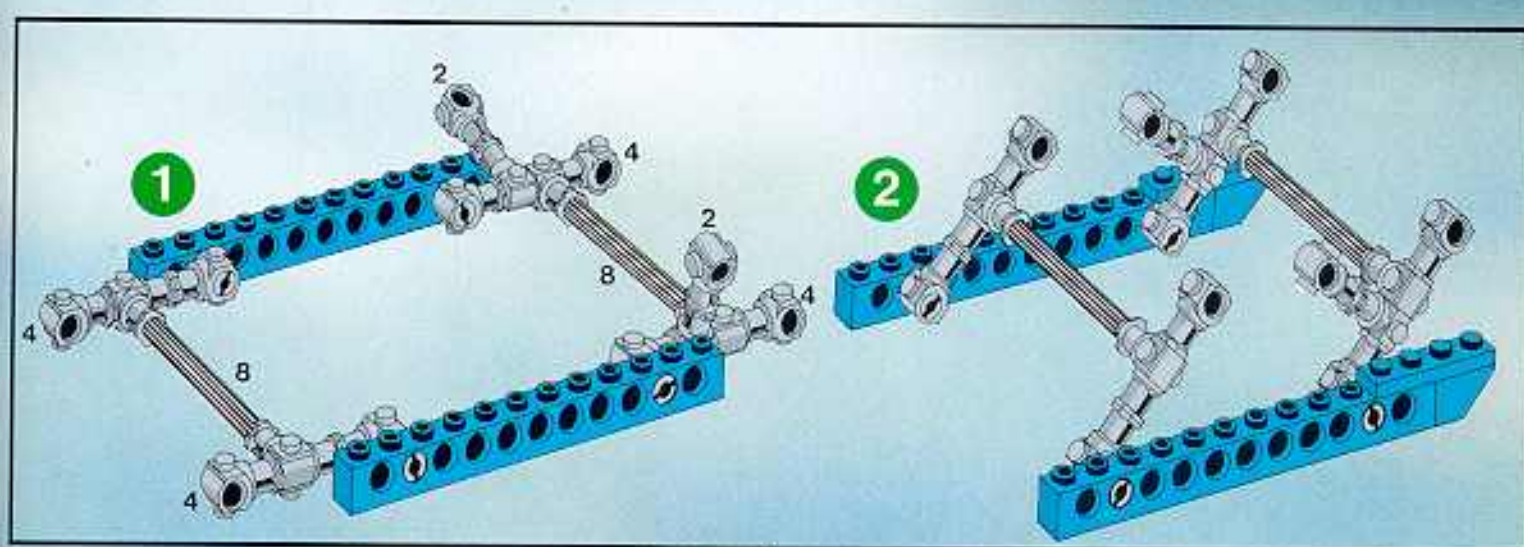
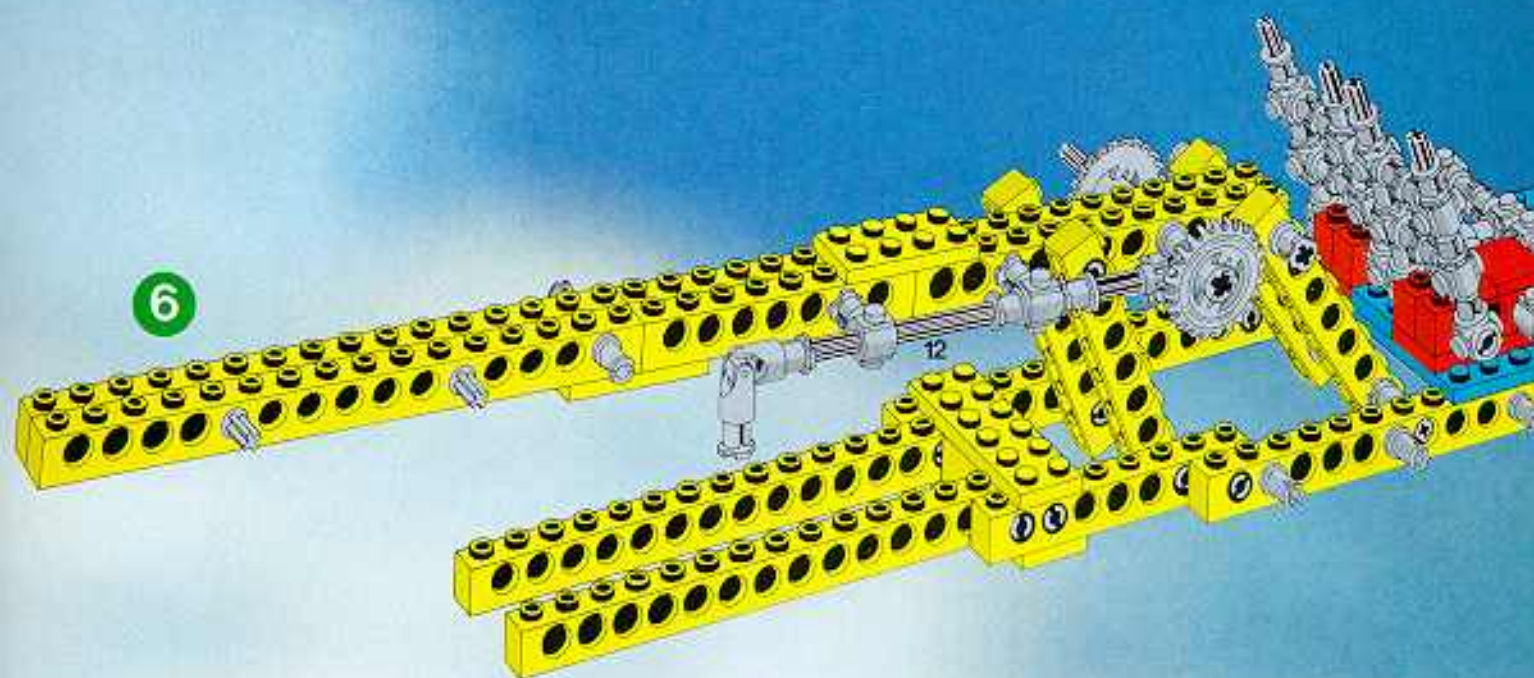




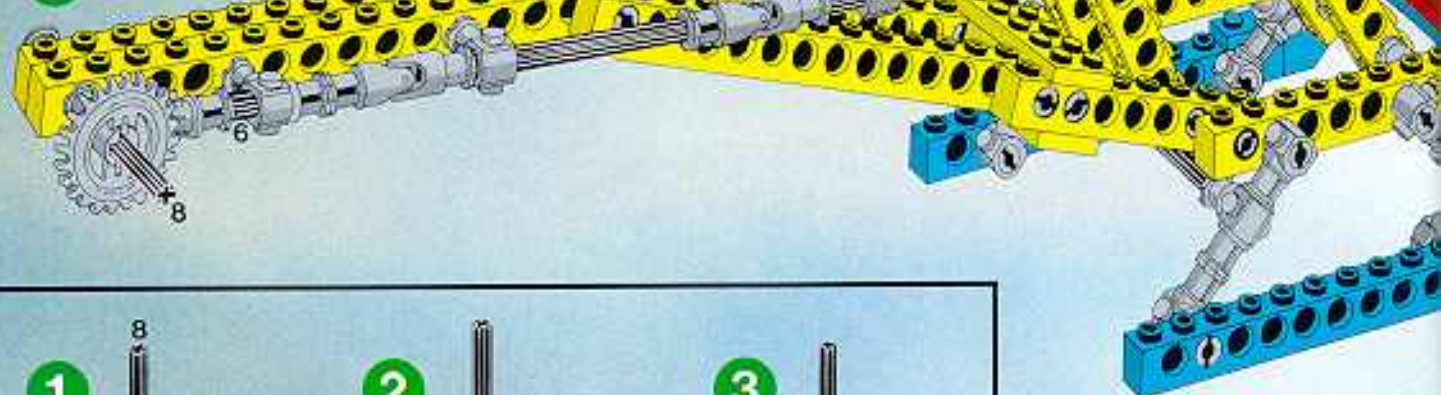




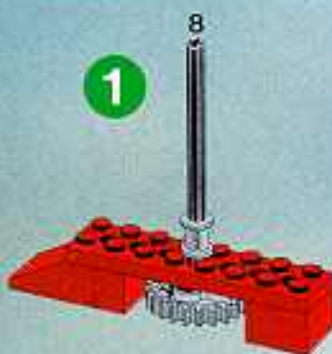




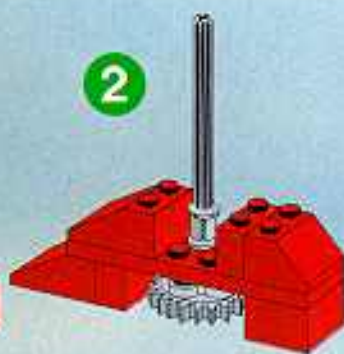
8



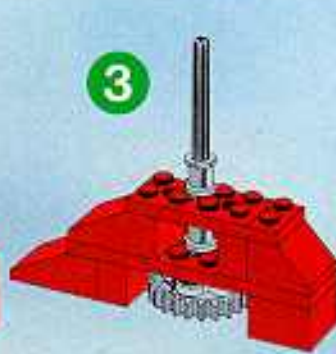
1



2



3



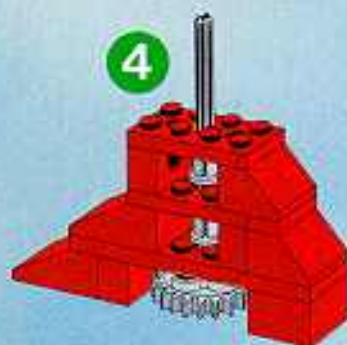
1



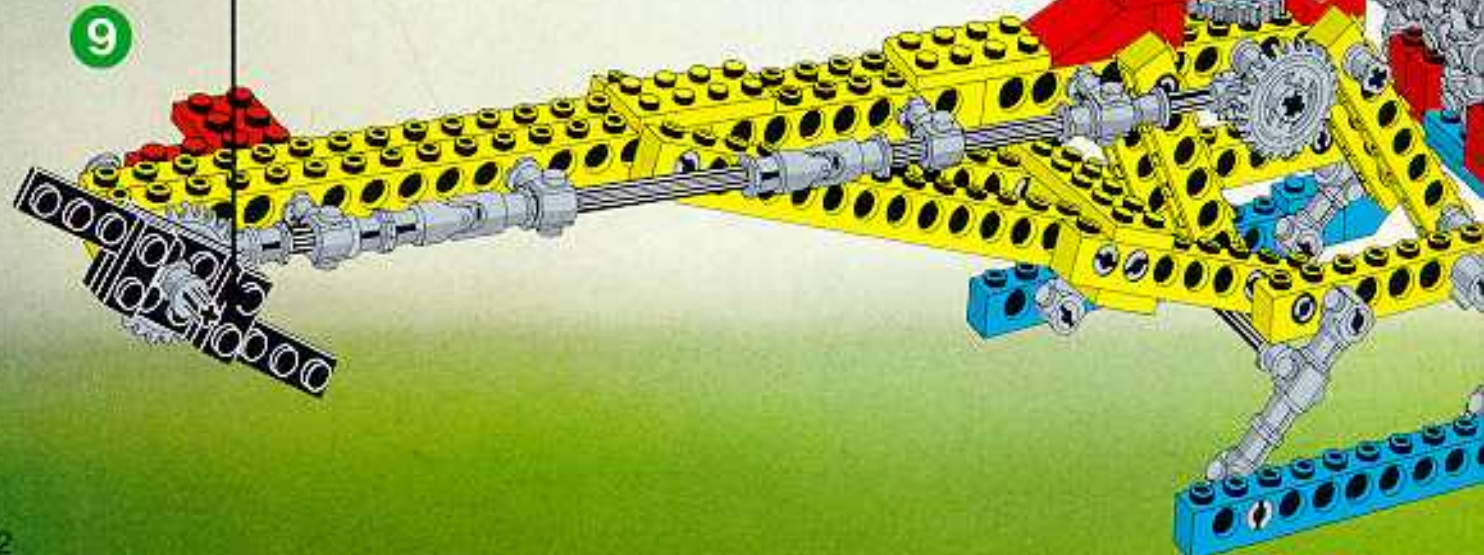
2



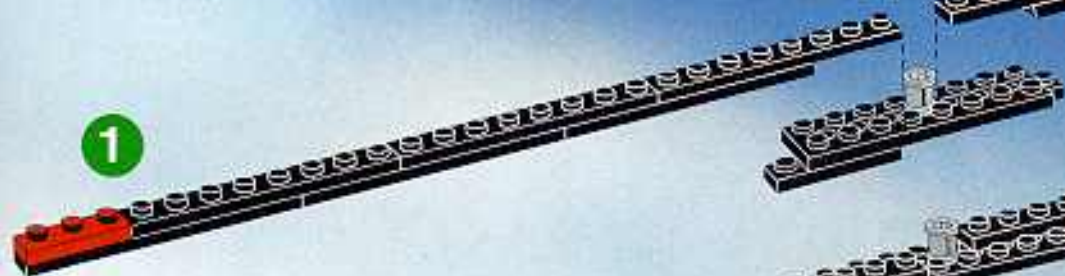
4



9



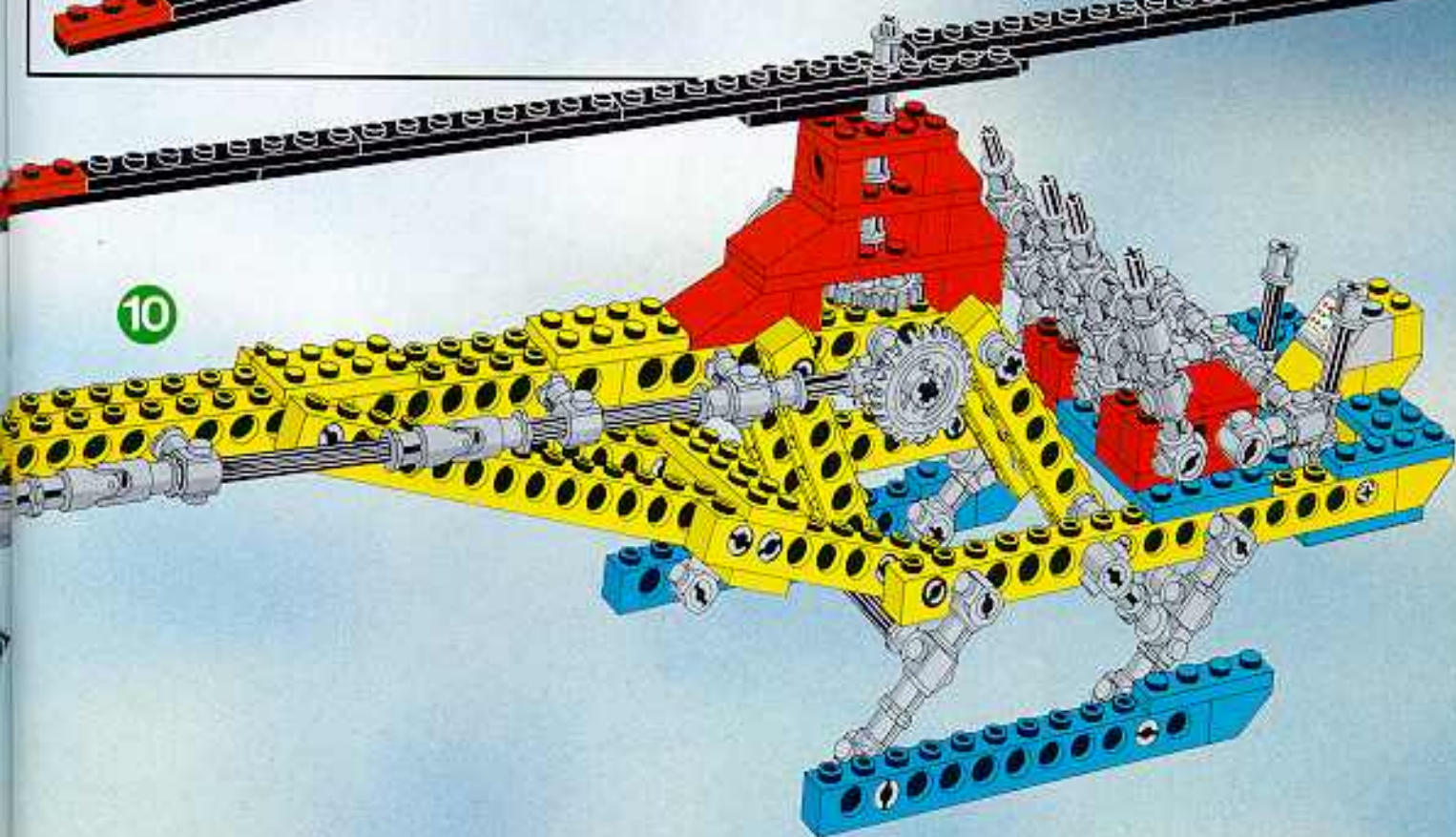
1

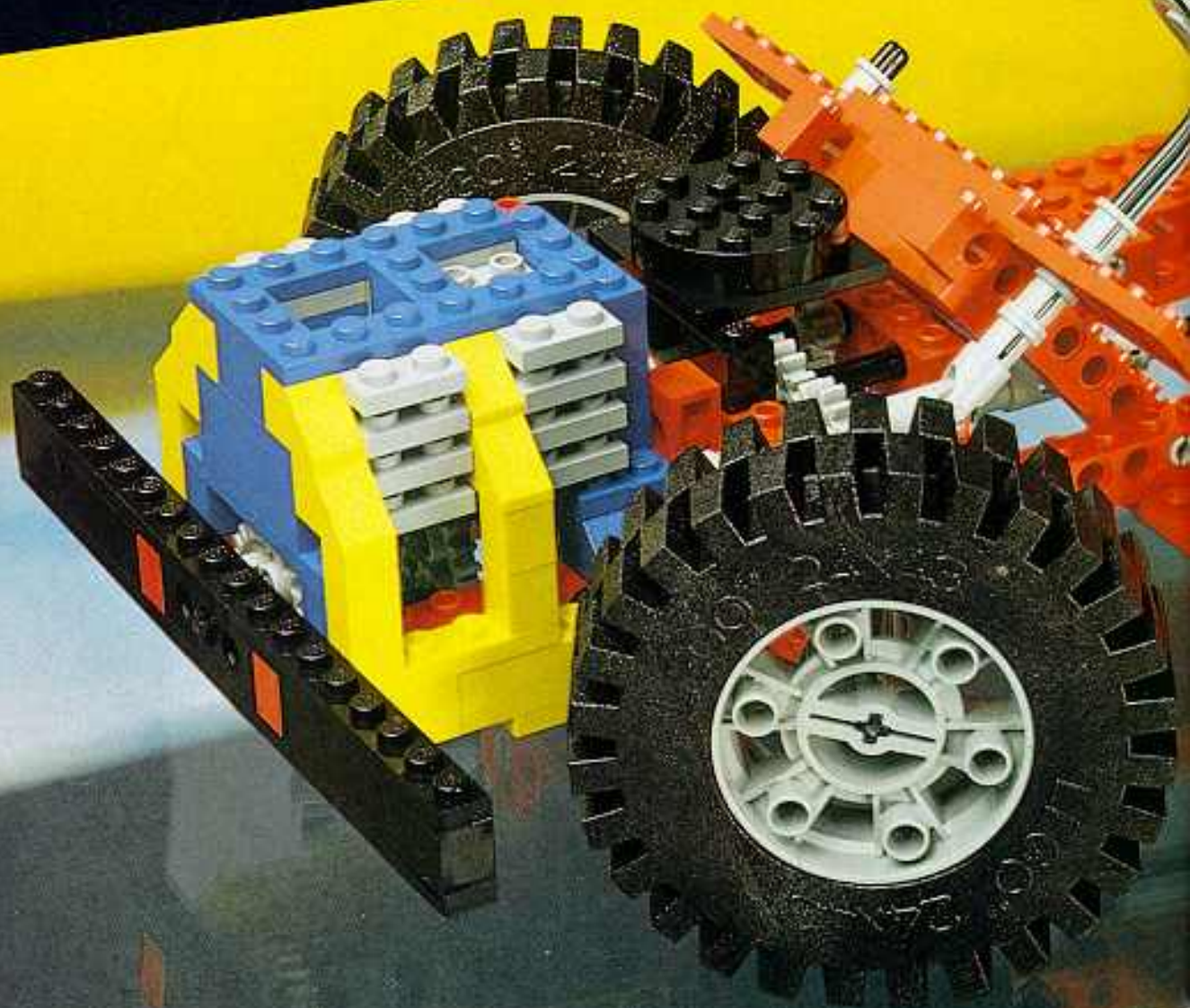


2

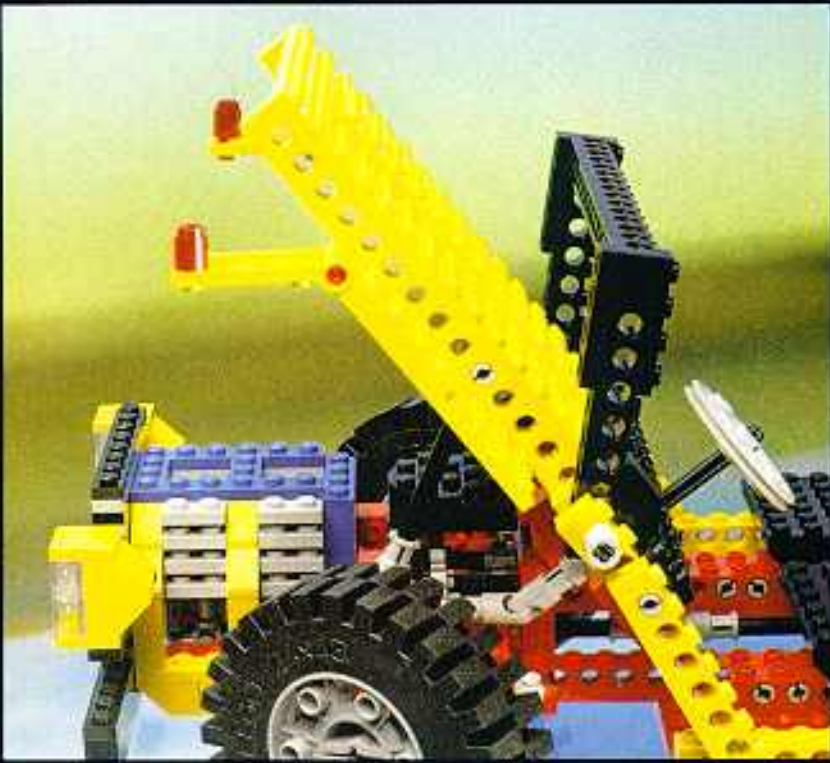


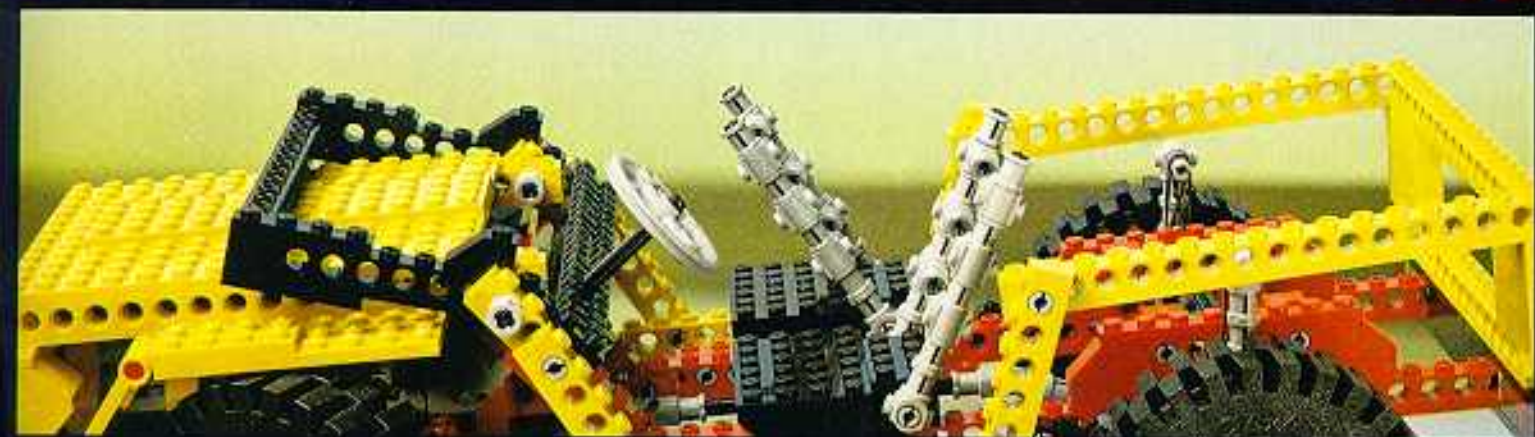
10



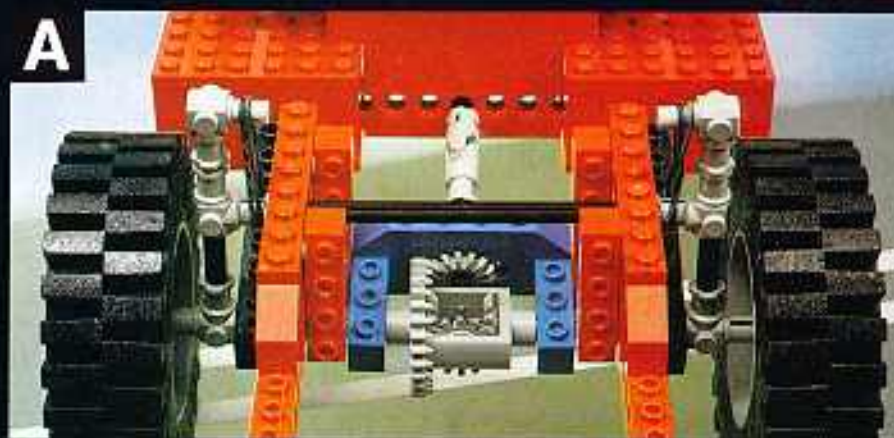
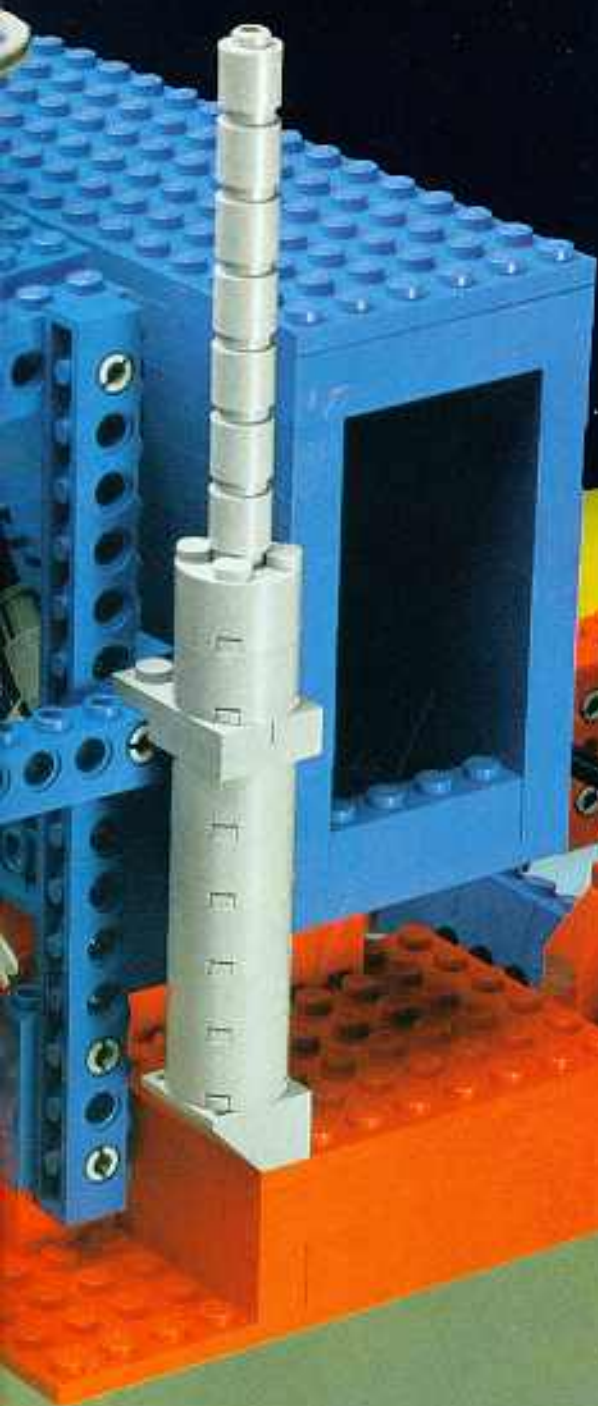


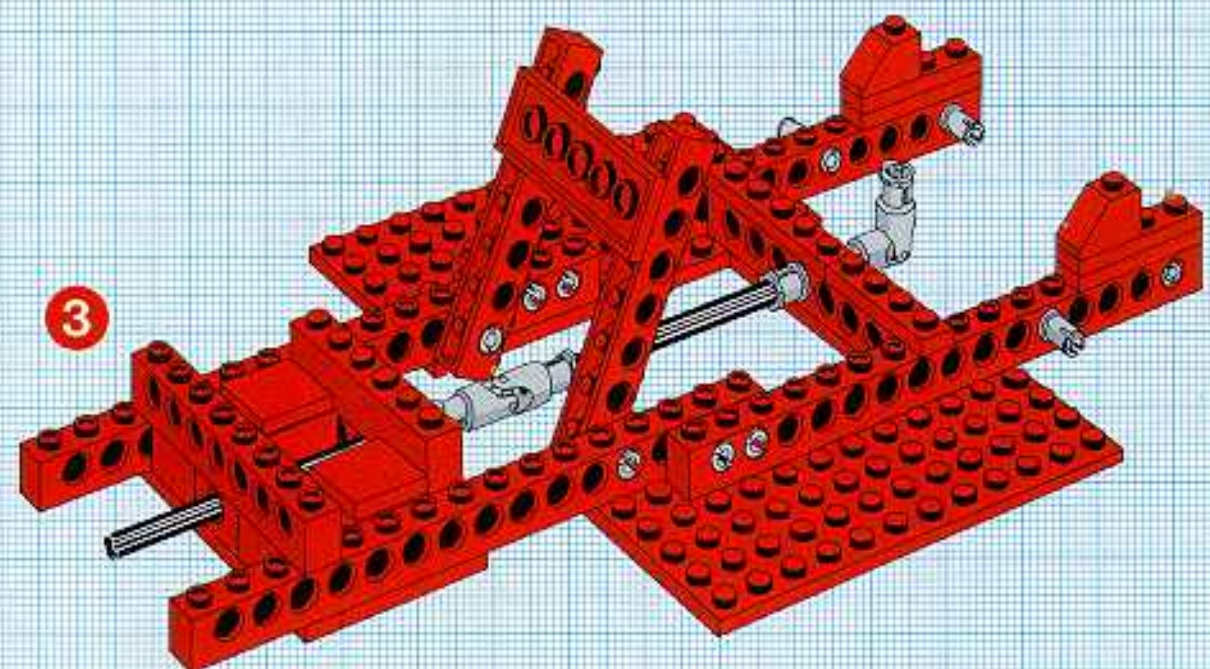
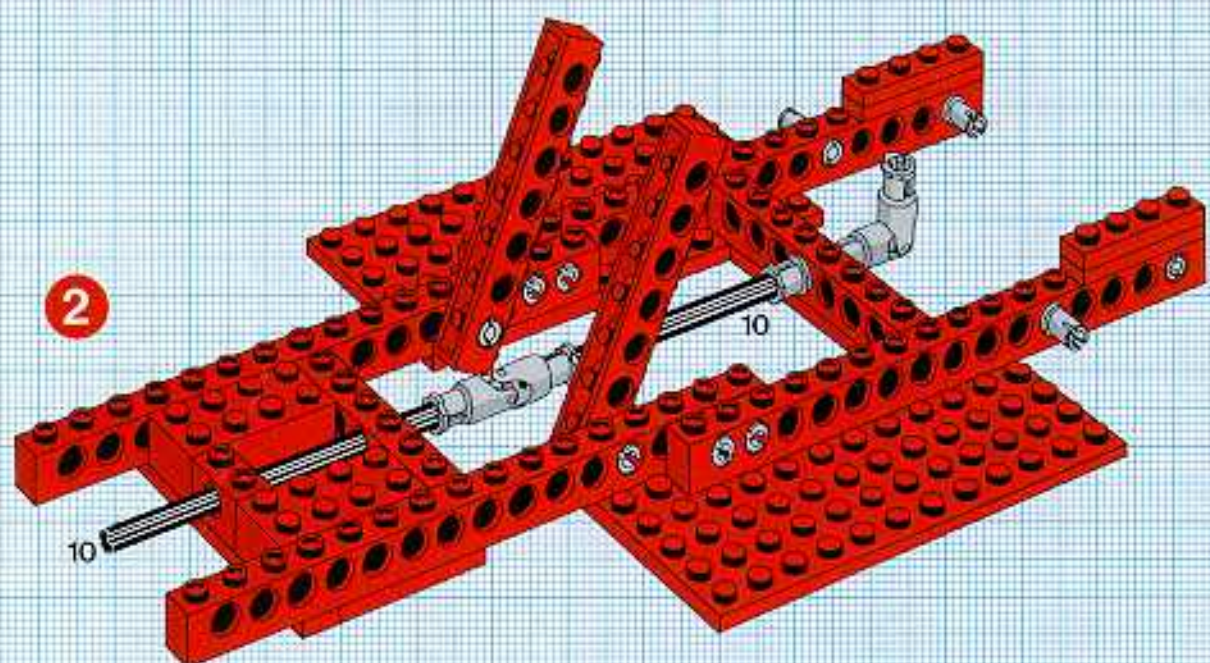
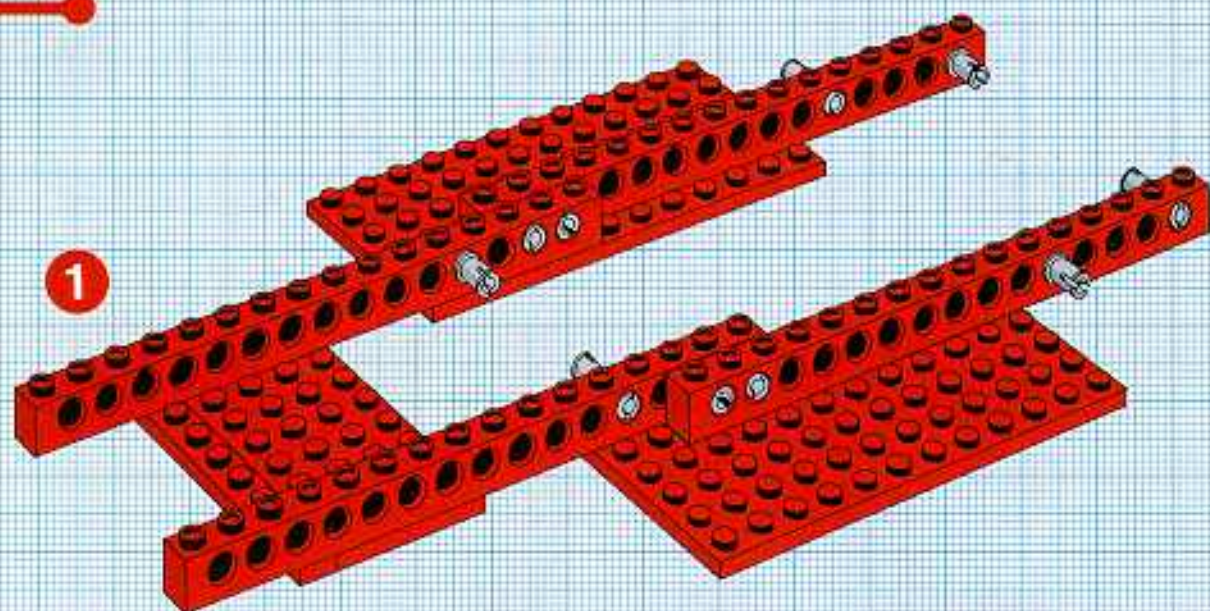


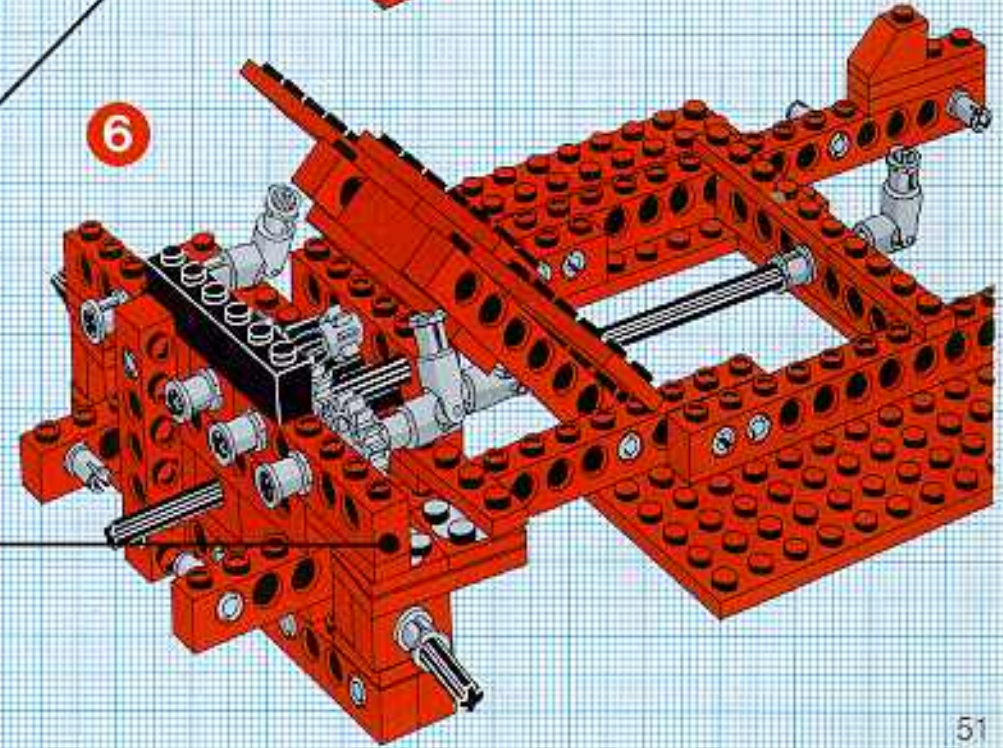
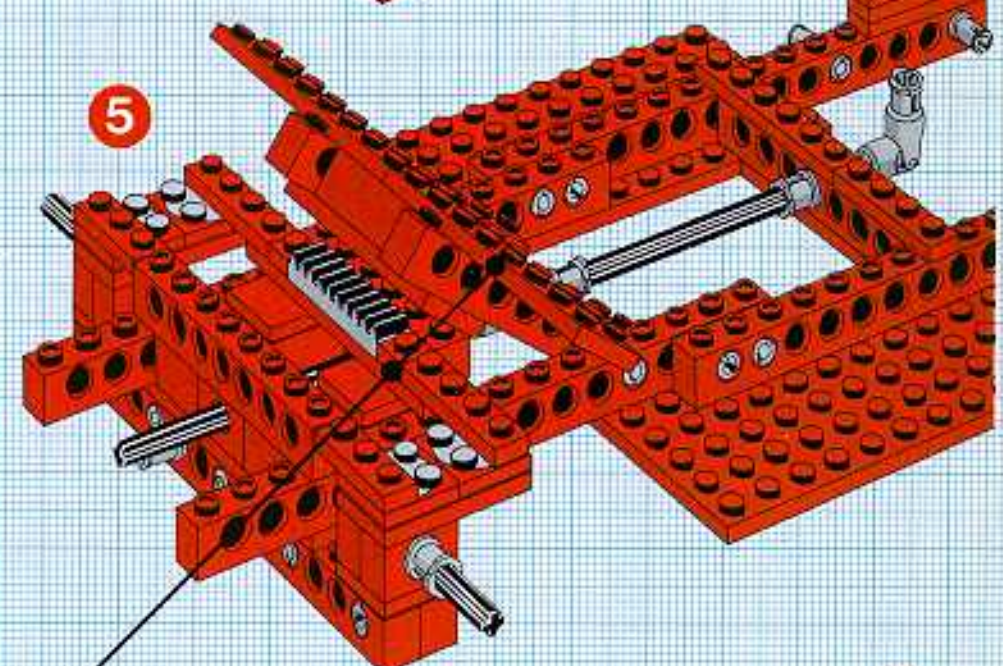
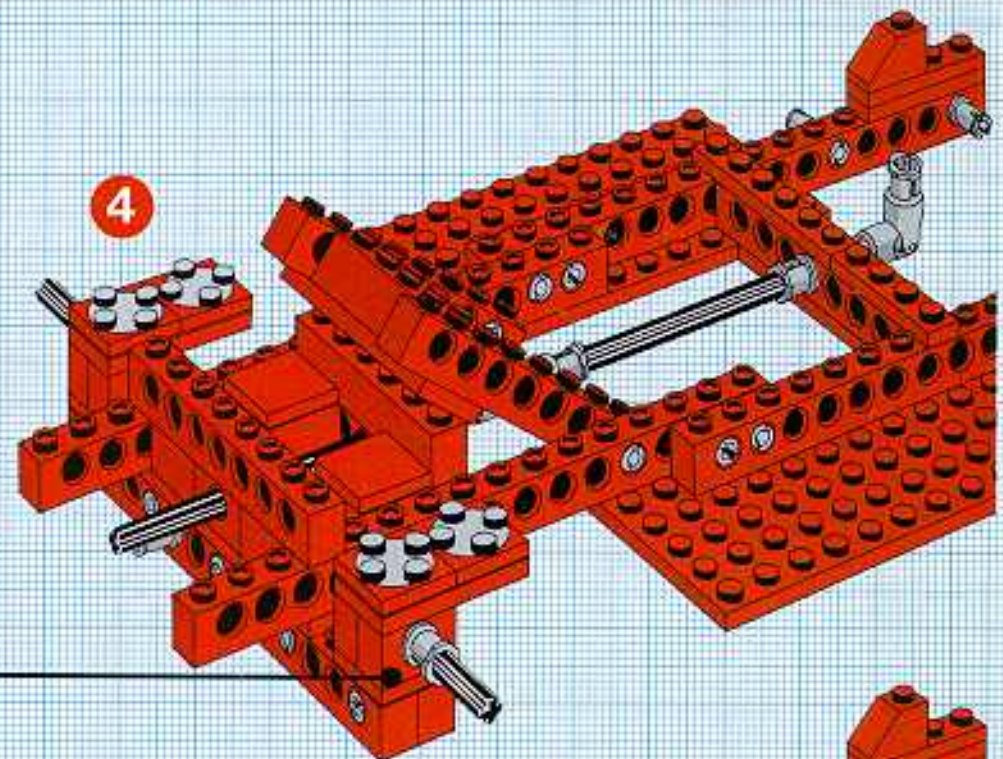
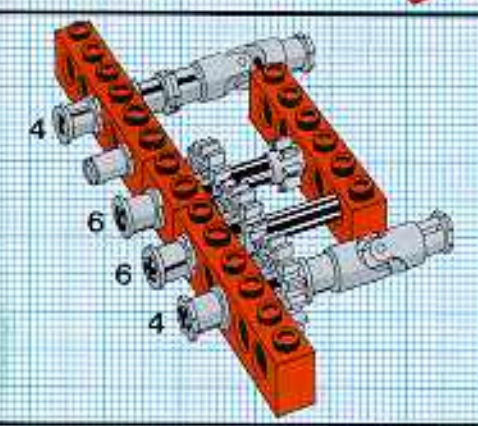
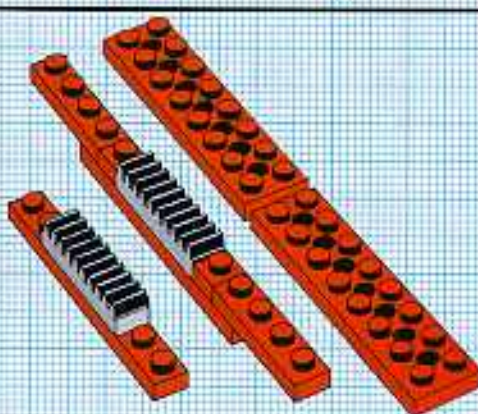
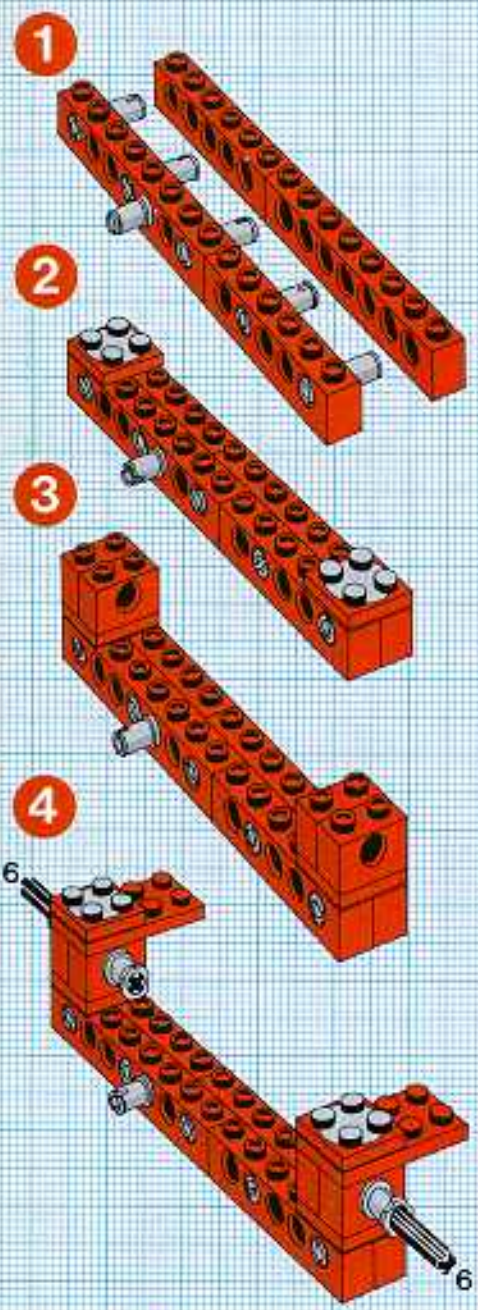


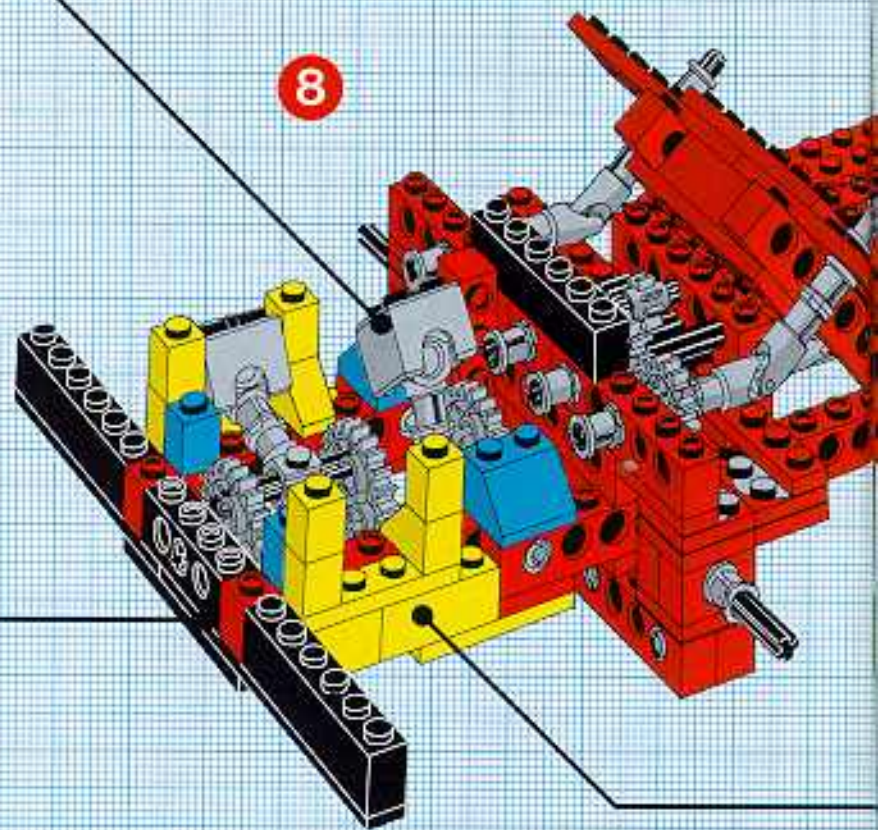
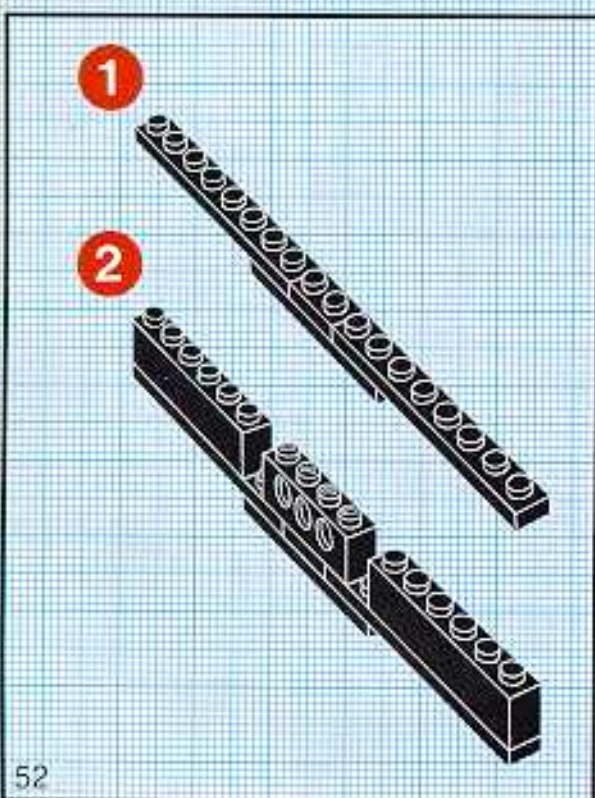
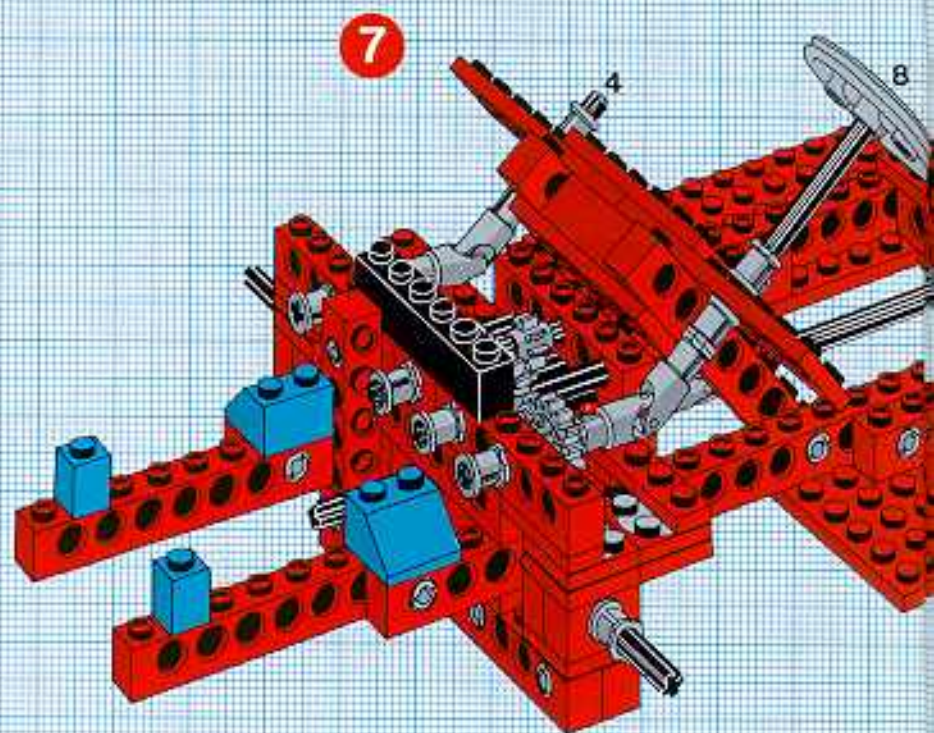
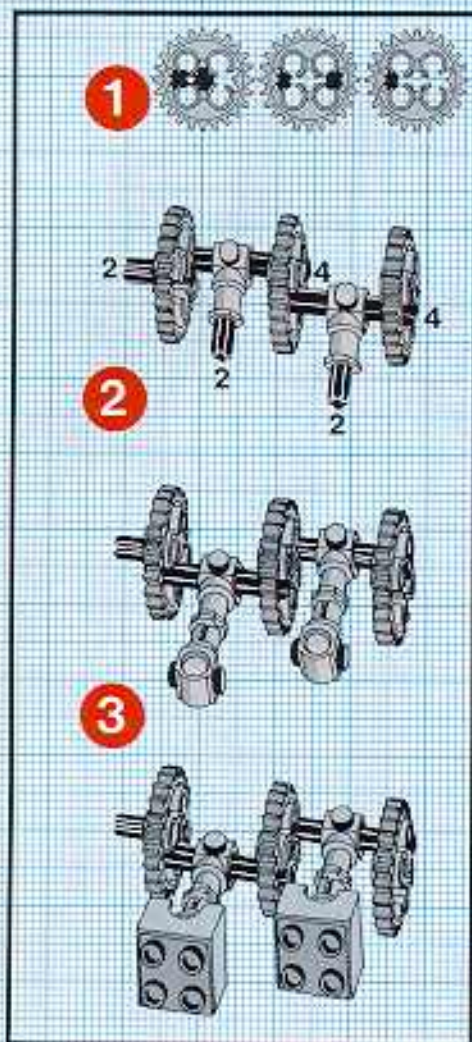


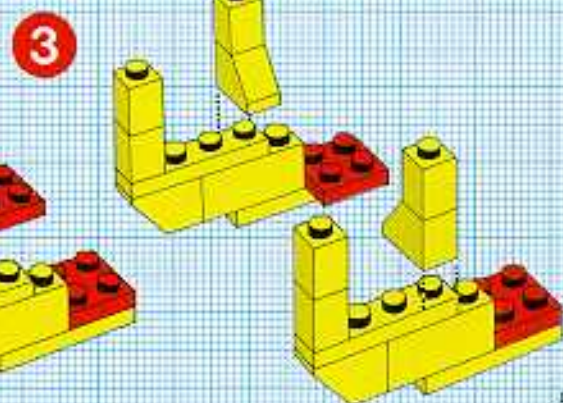
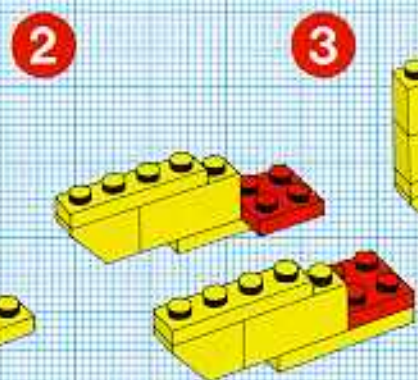
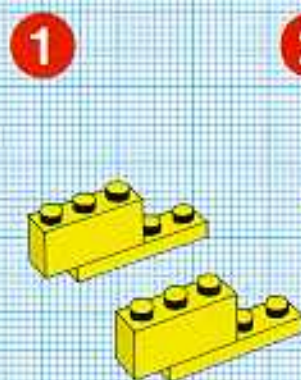
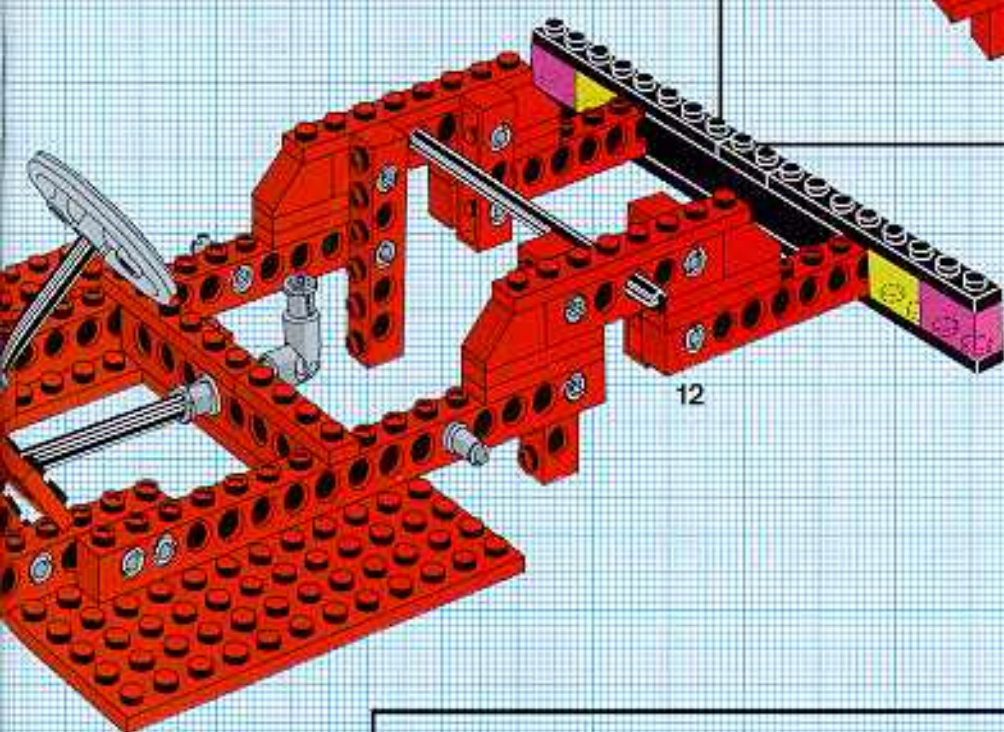
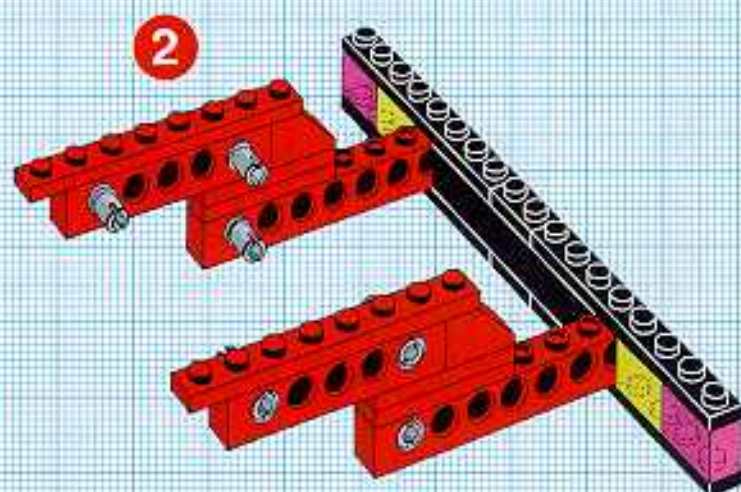
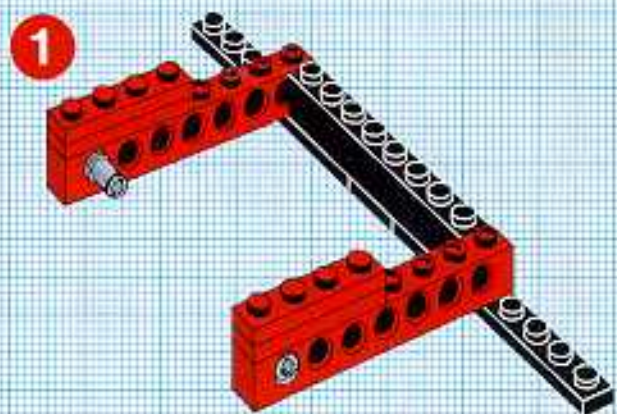
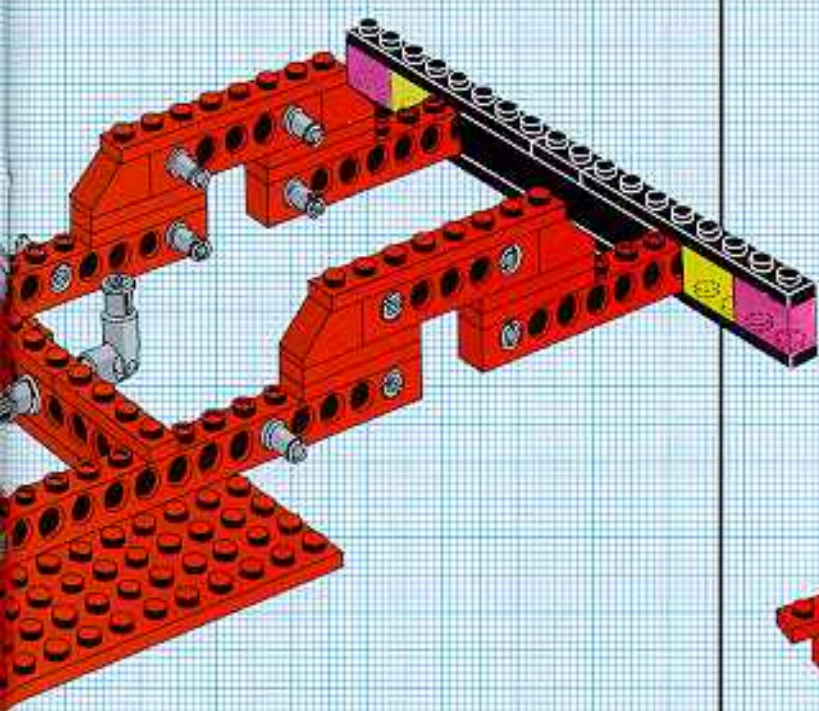


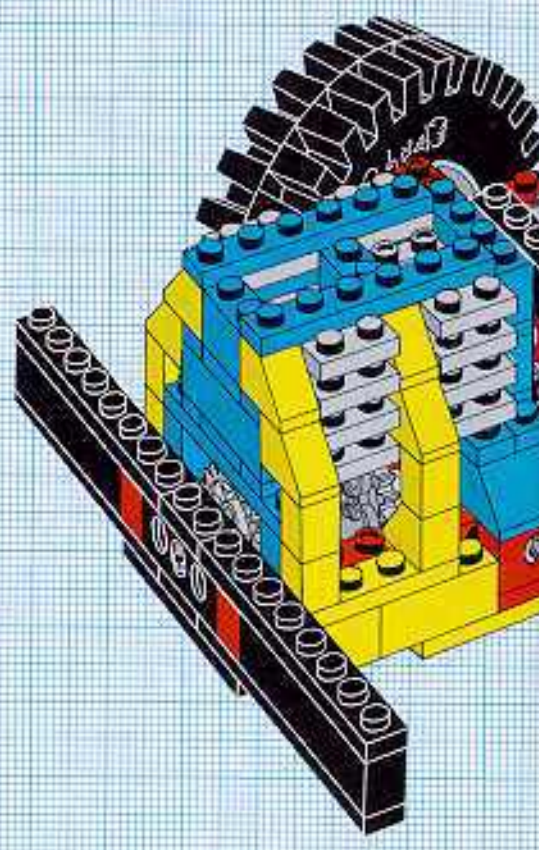
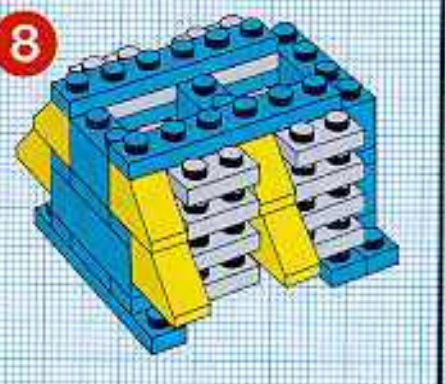
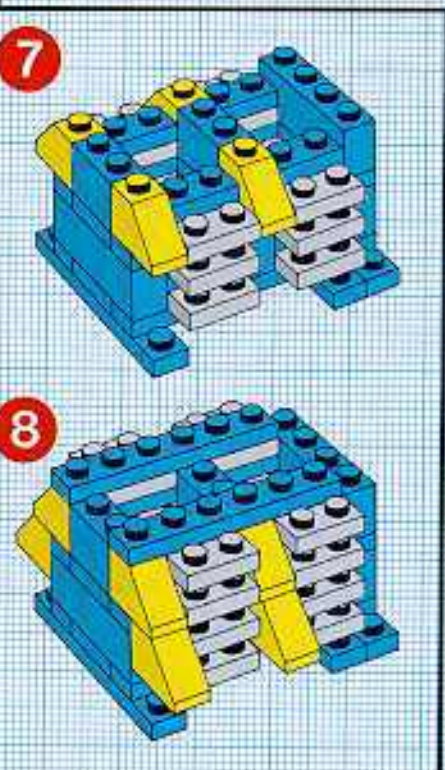
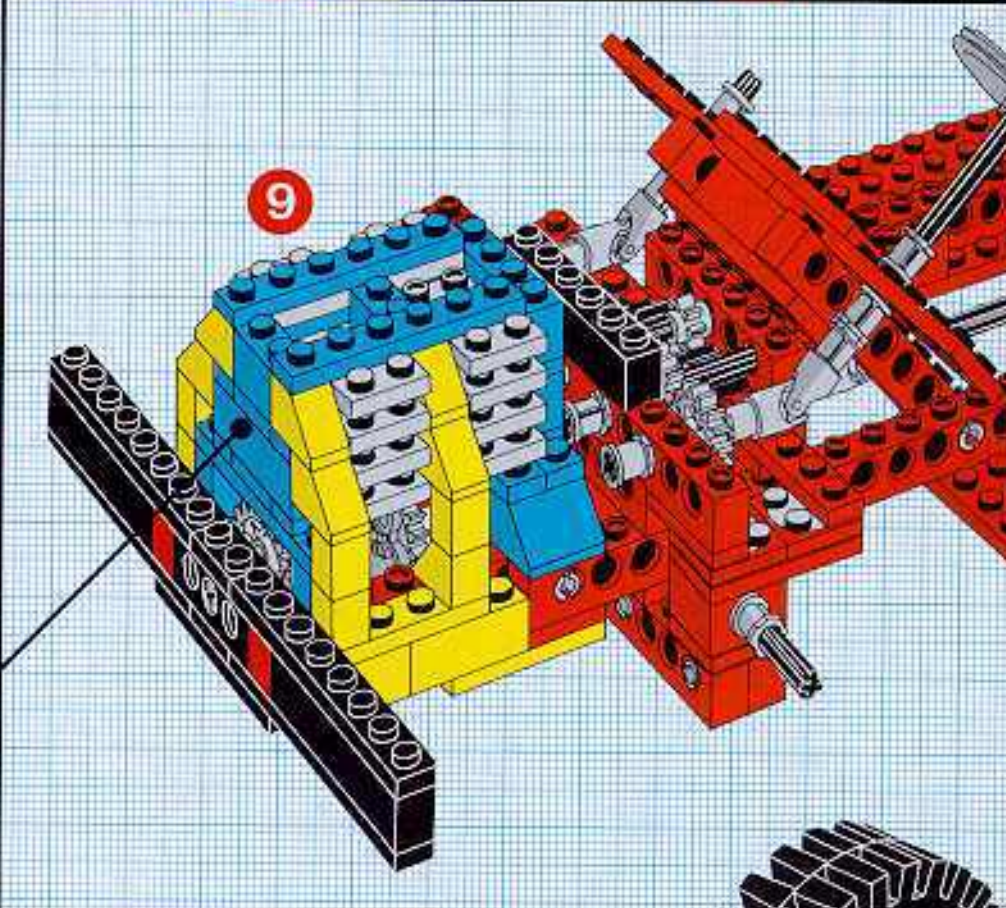
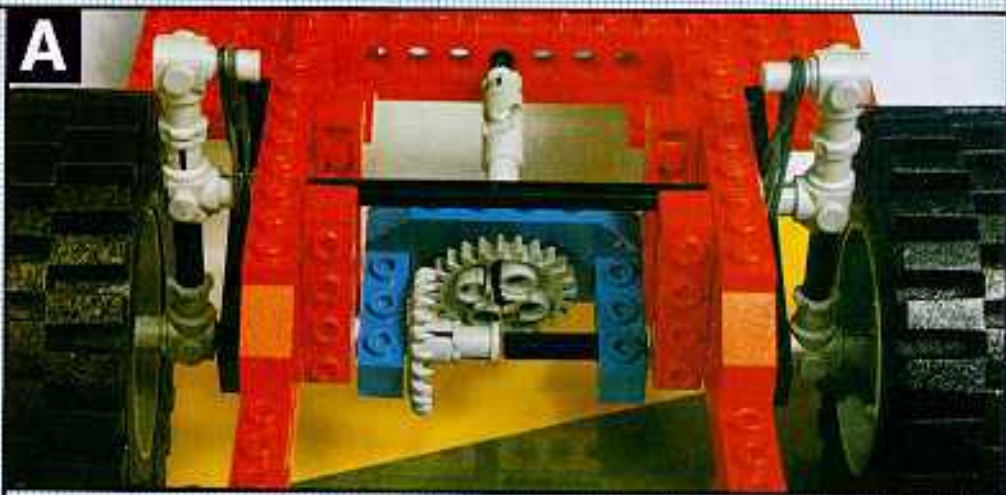
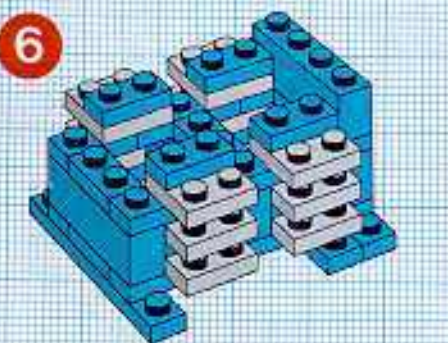
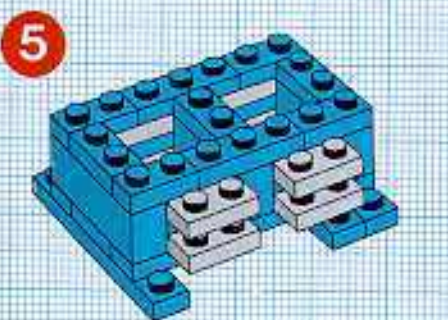
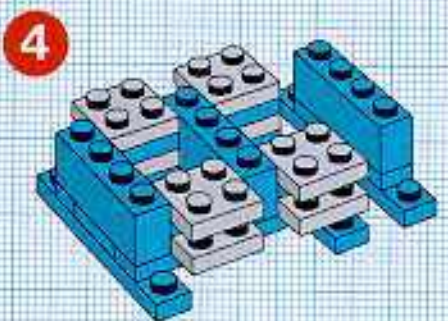
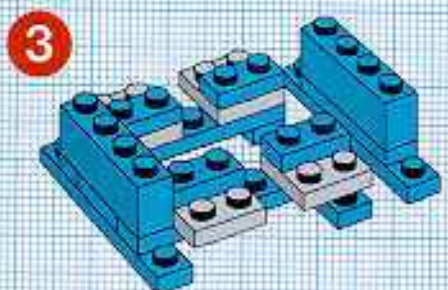
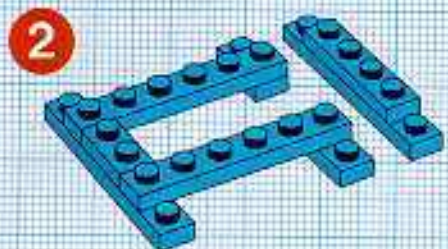
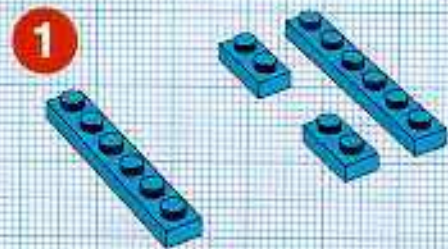


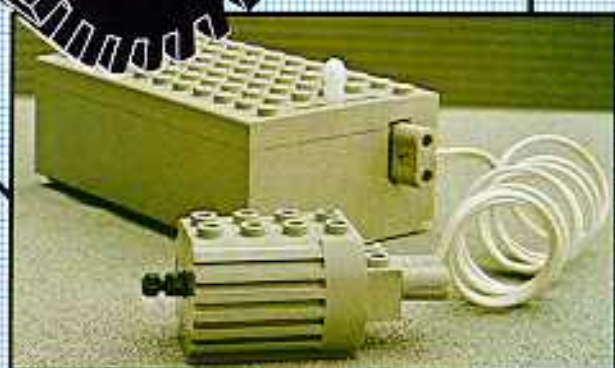
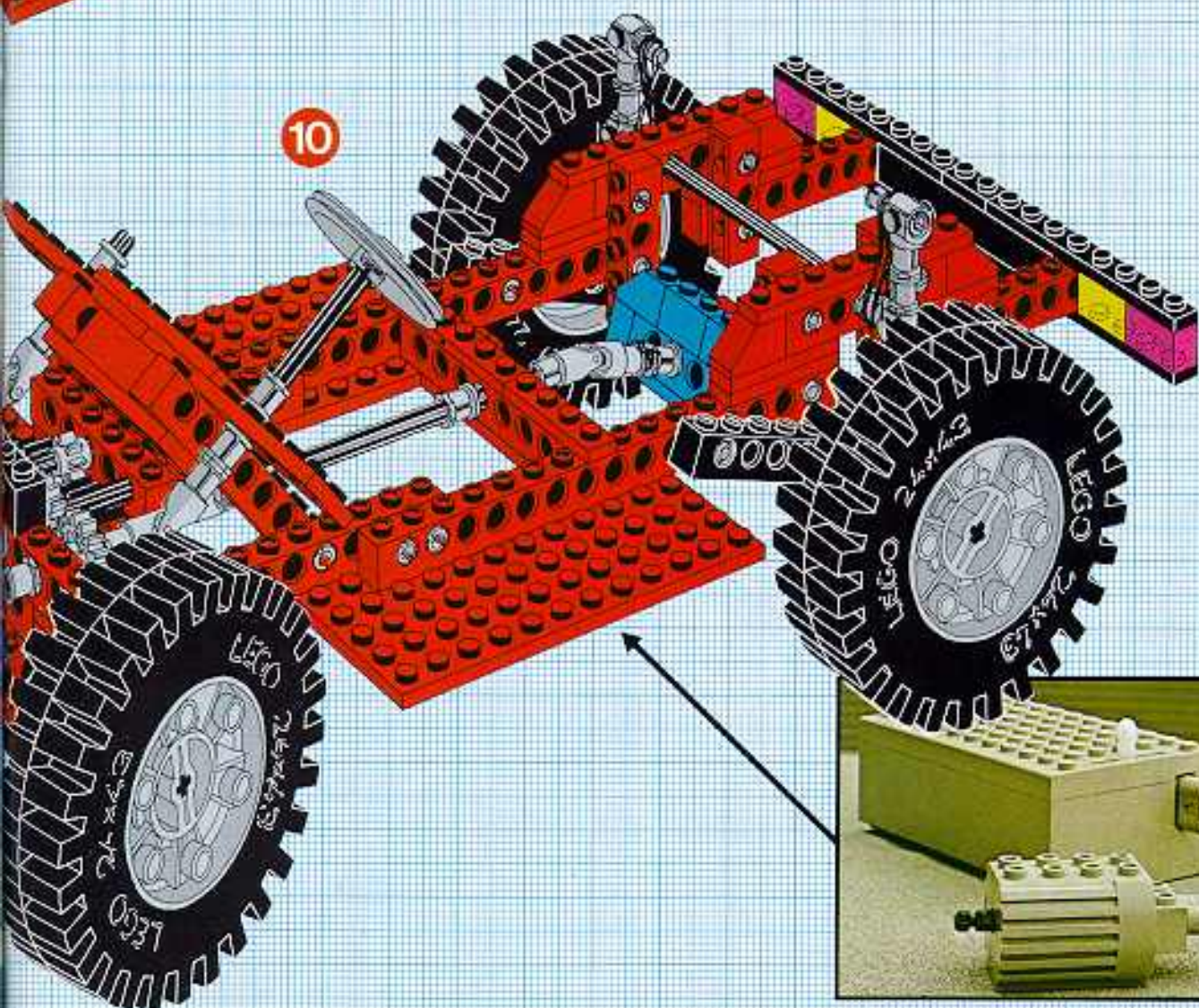
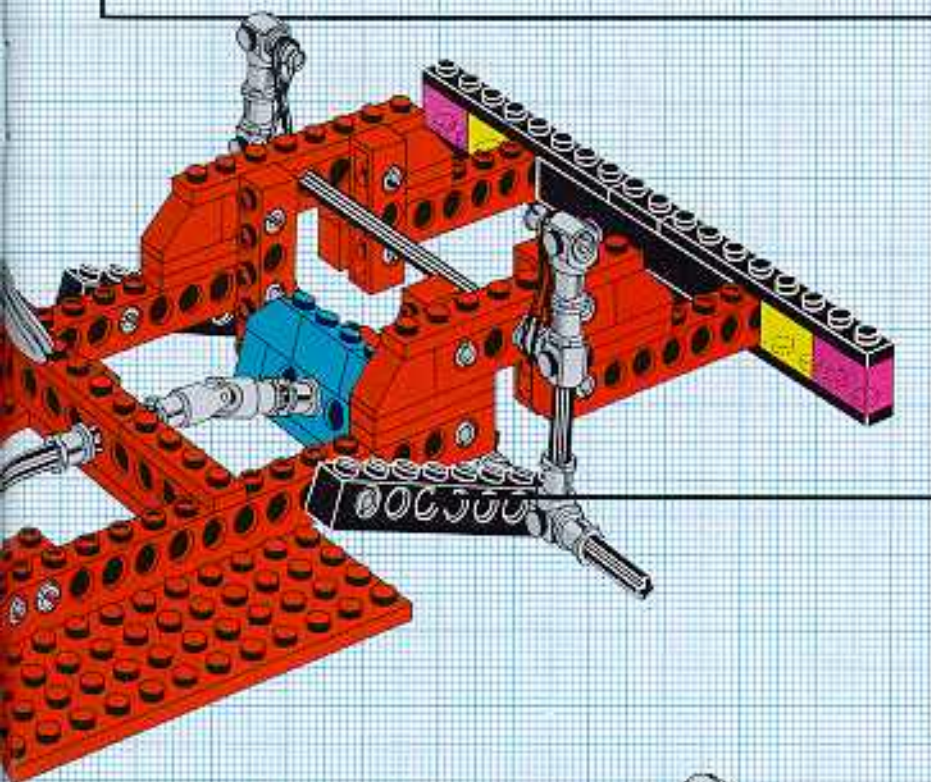
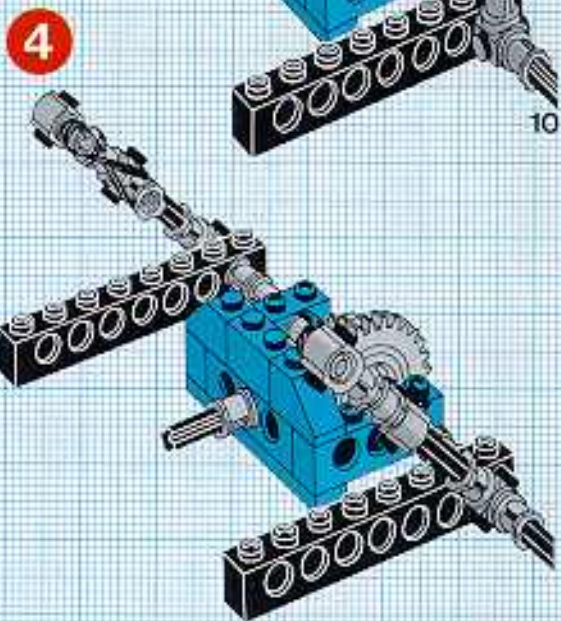
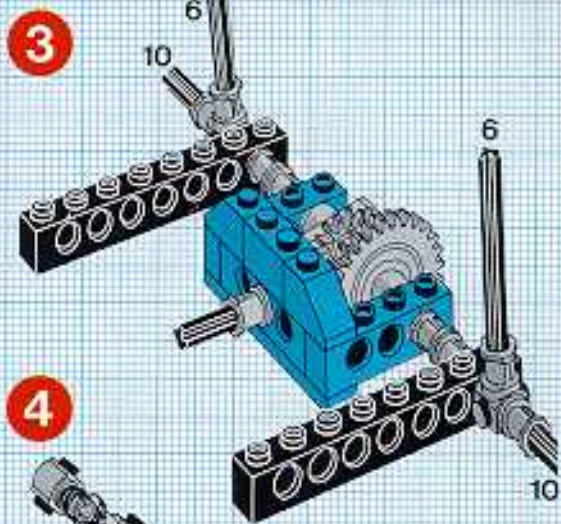
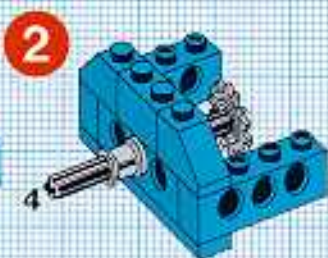
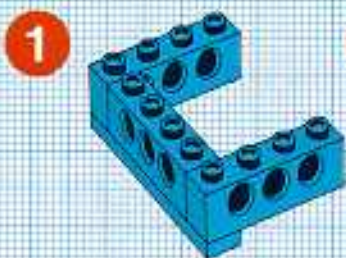


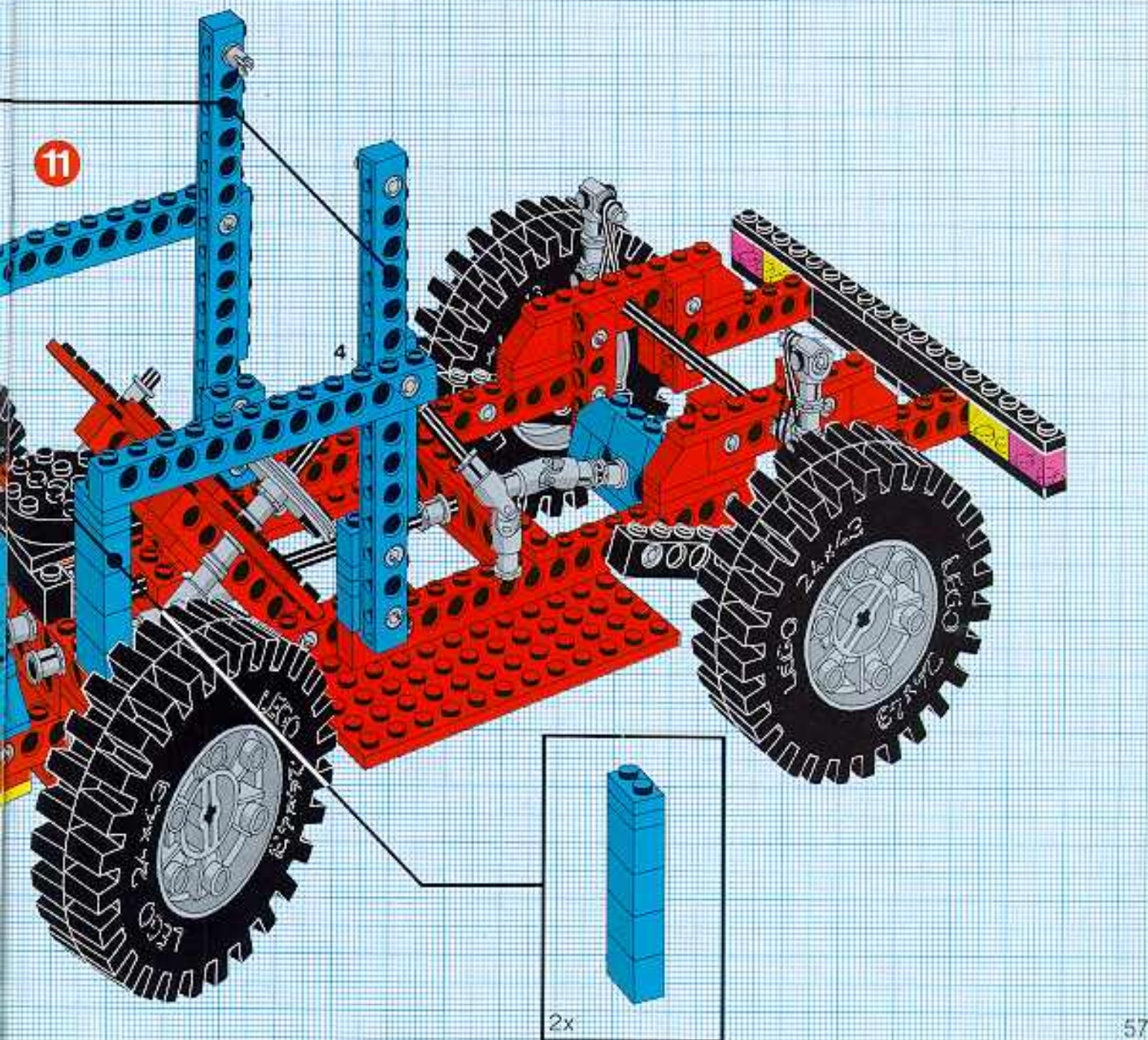
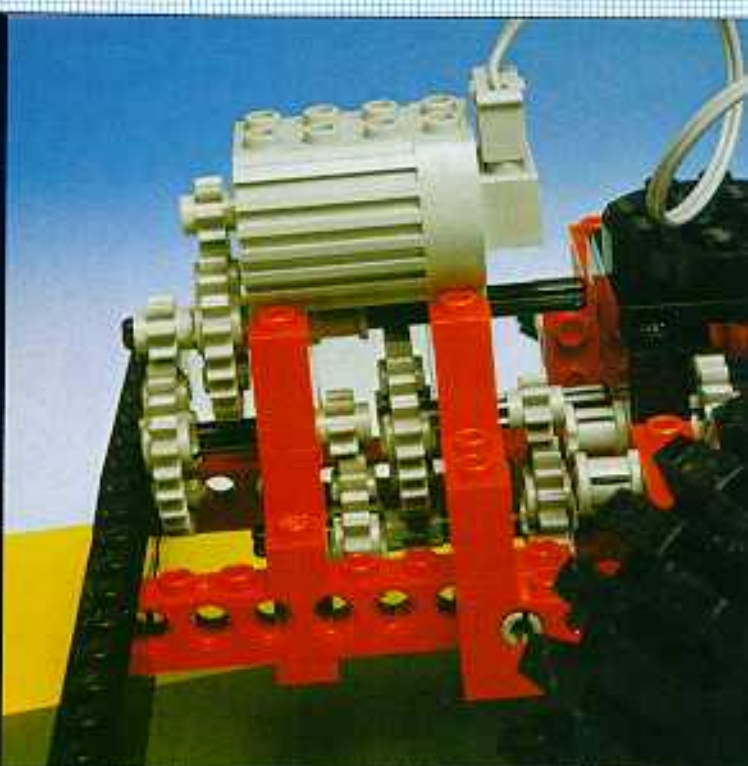
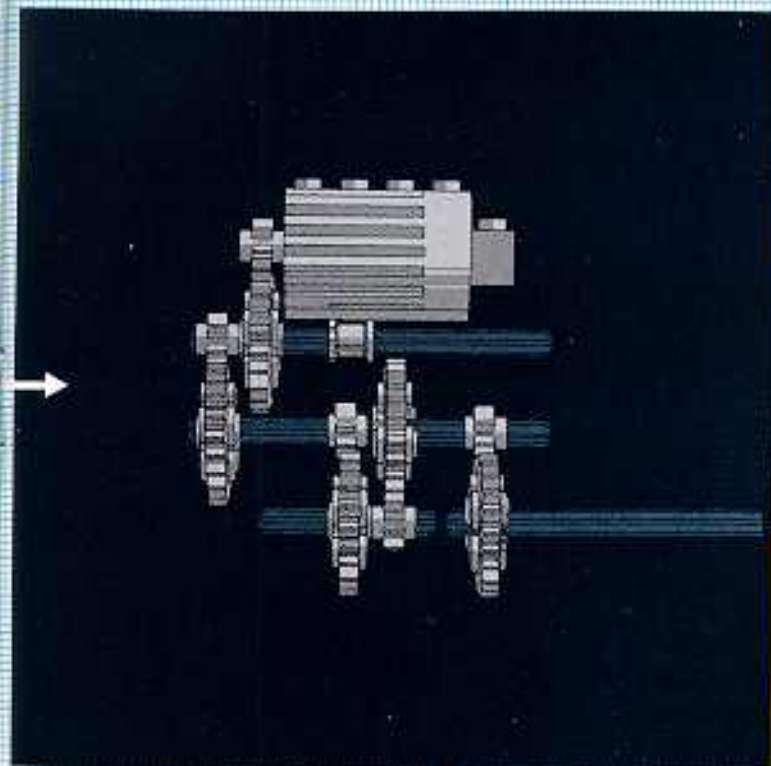


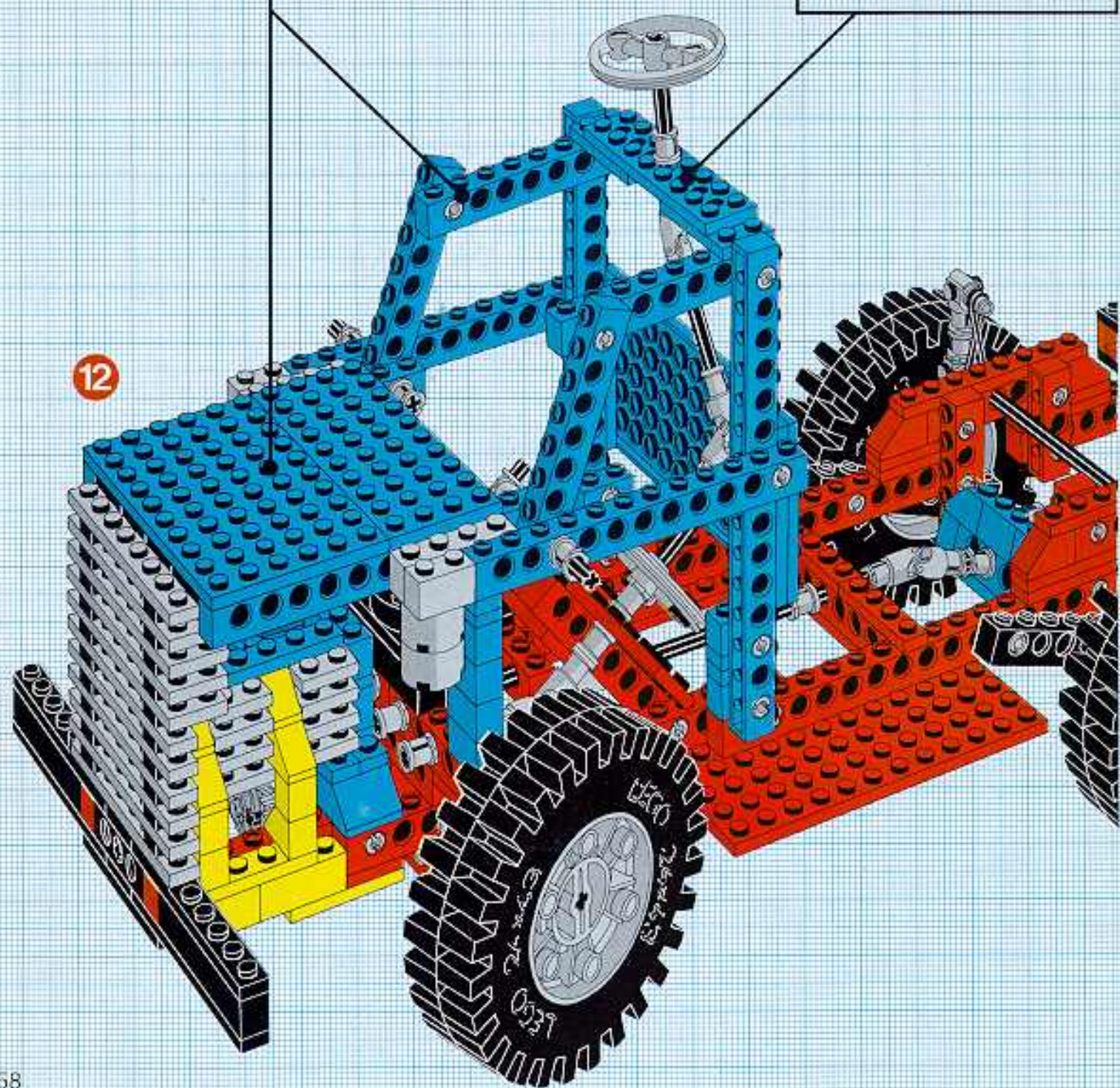
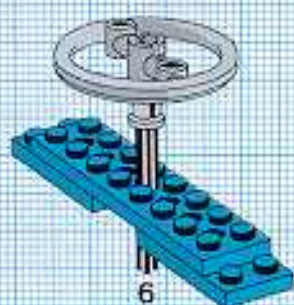
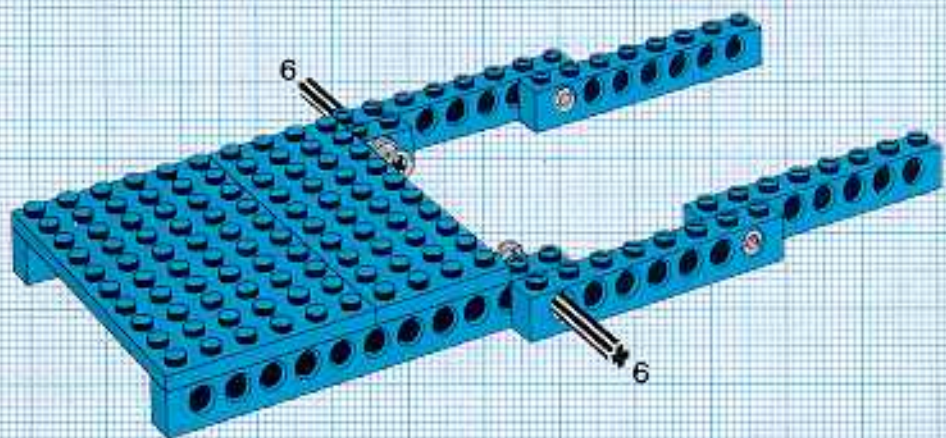


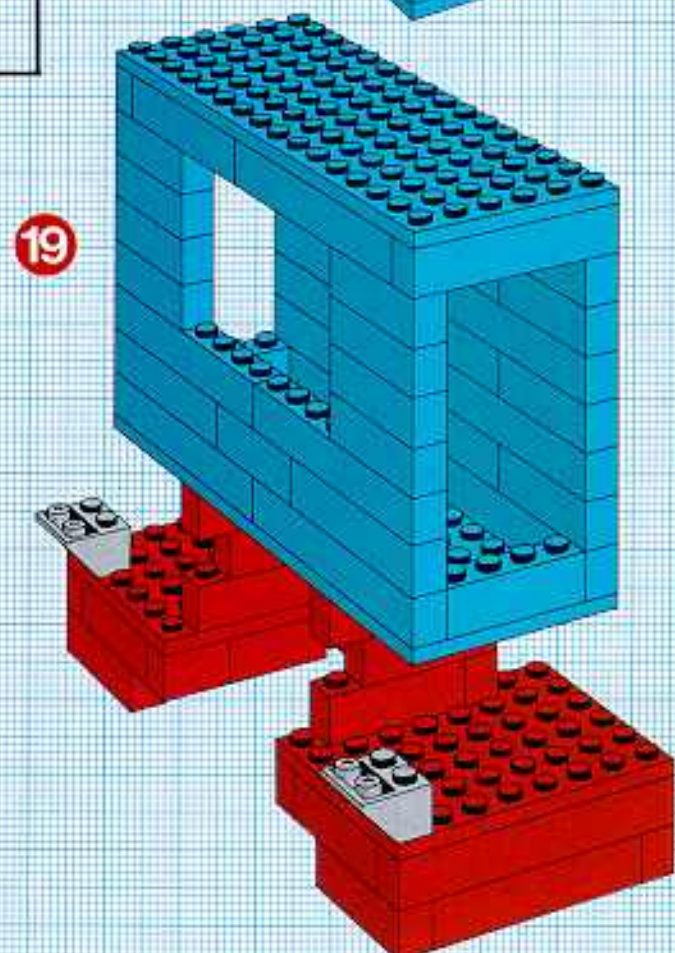
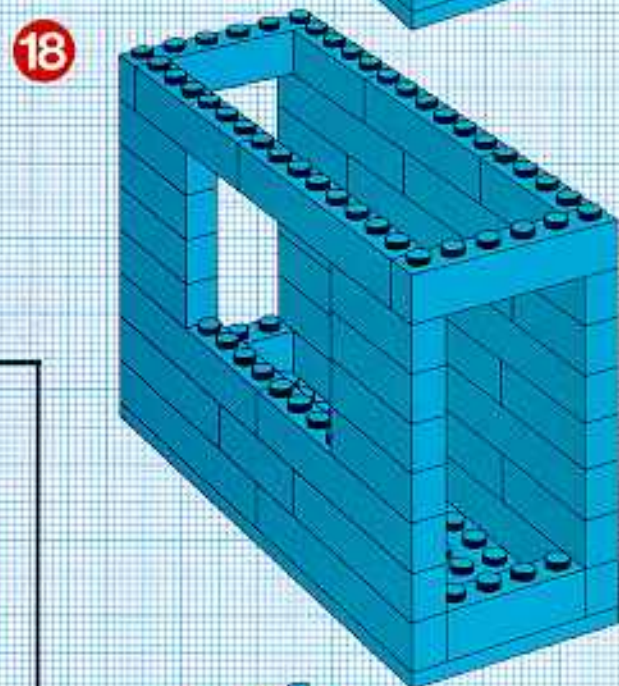
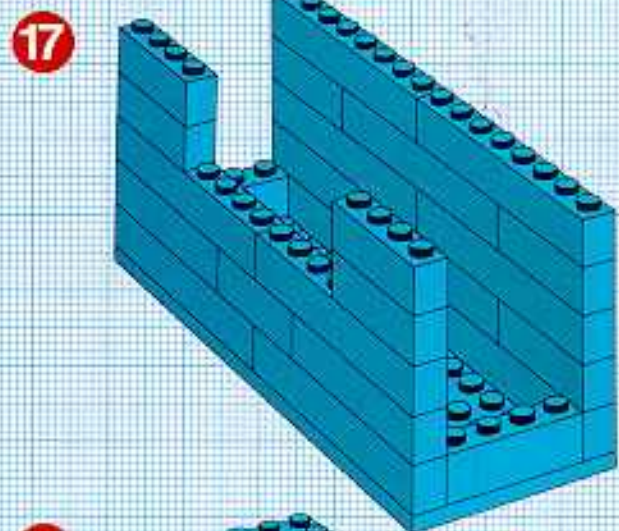
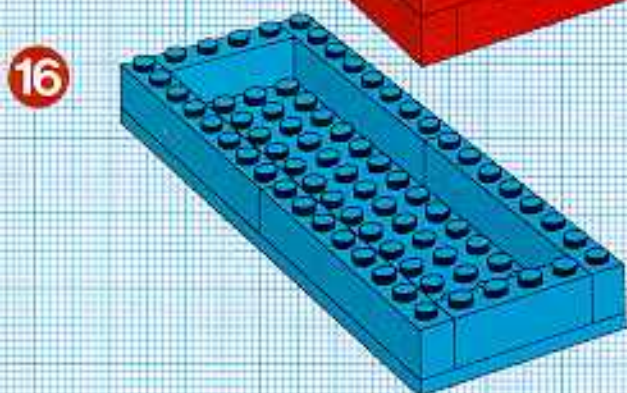
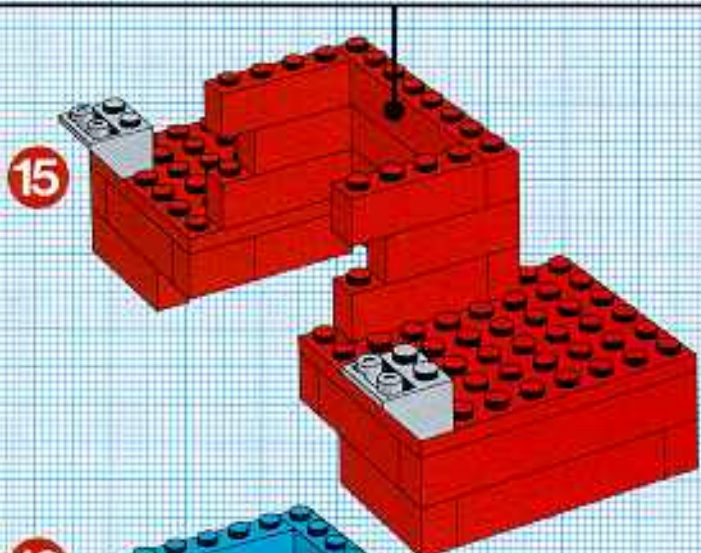
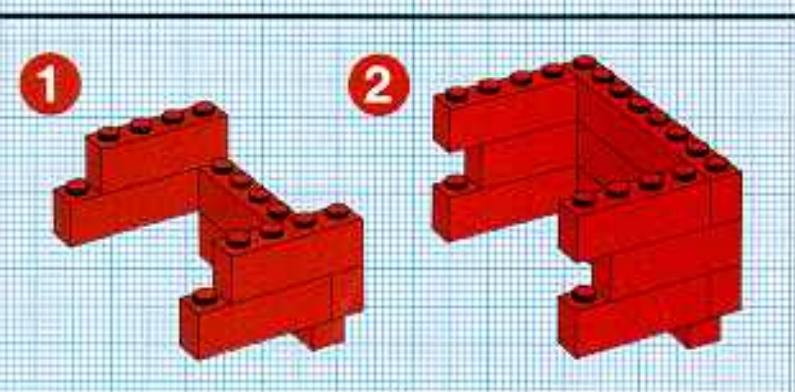
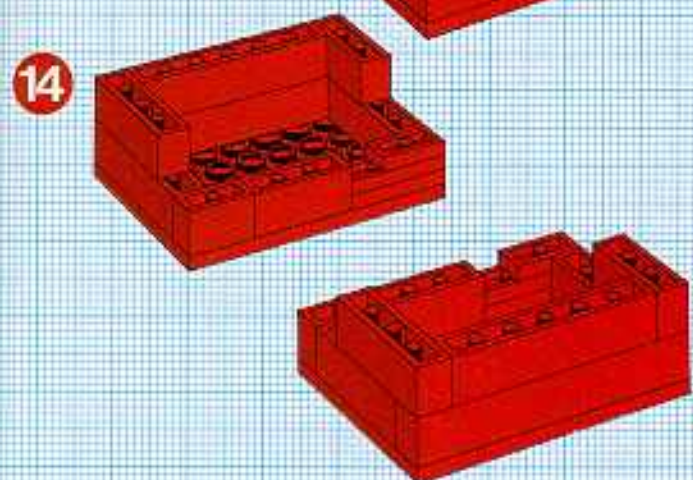
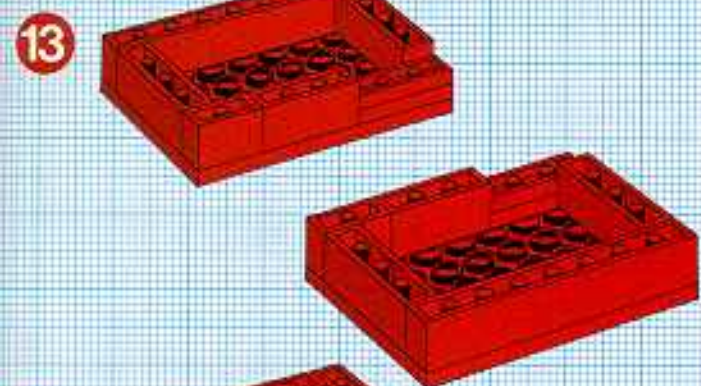


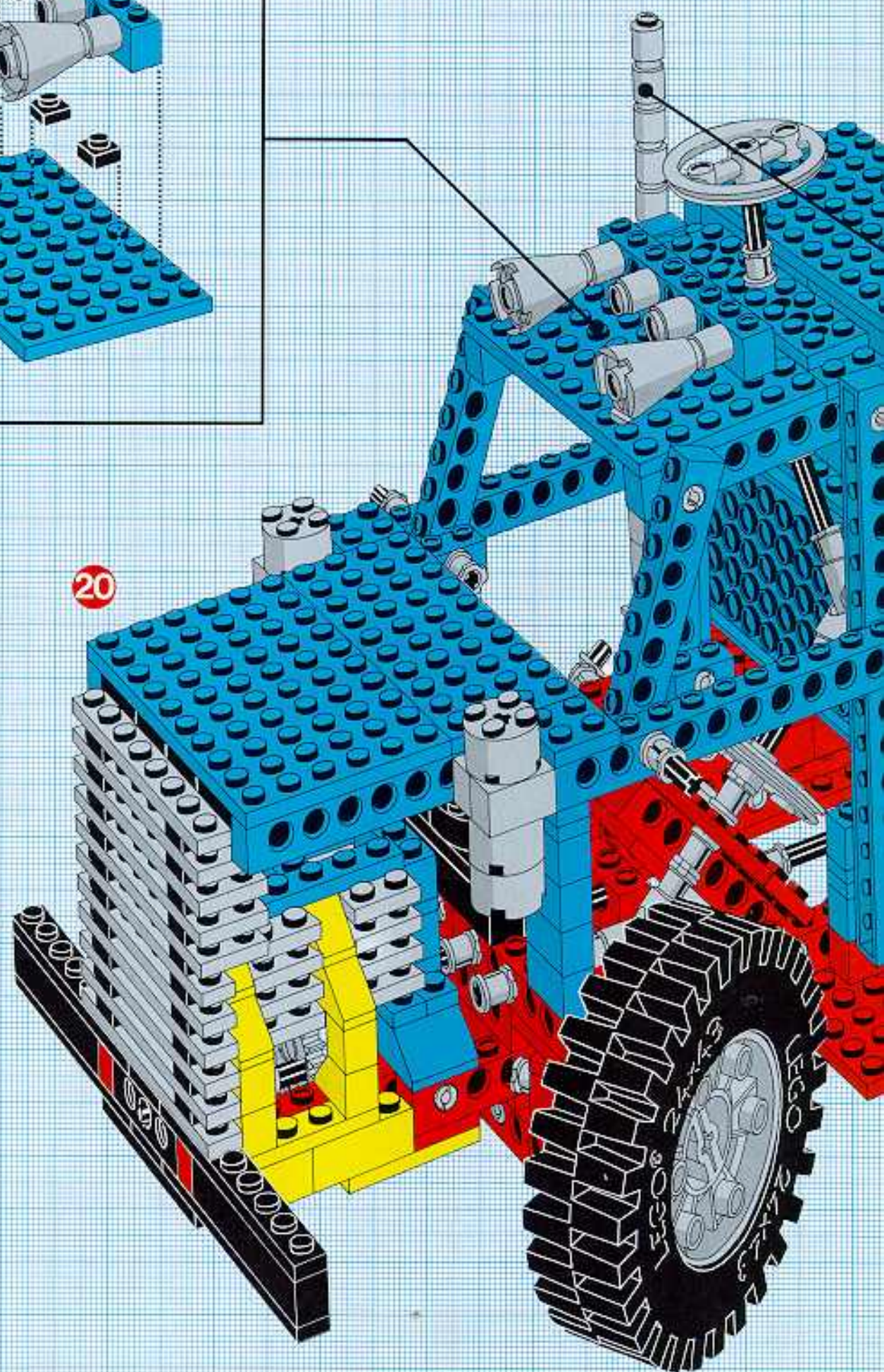
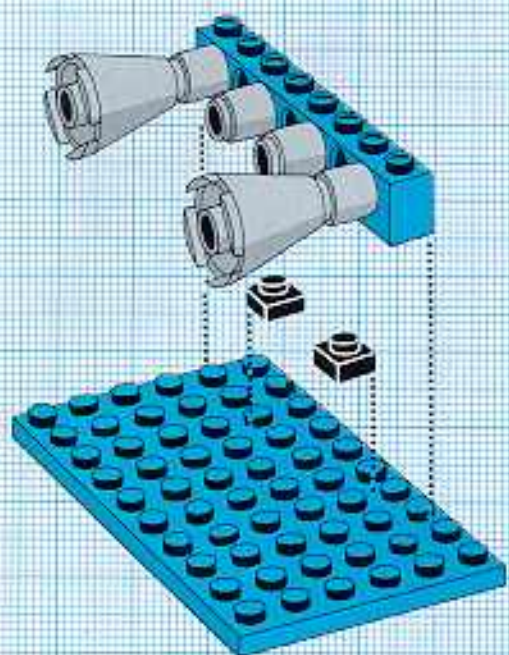




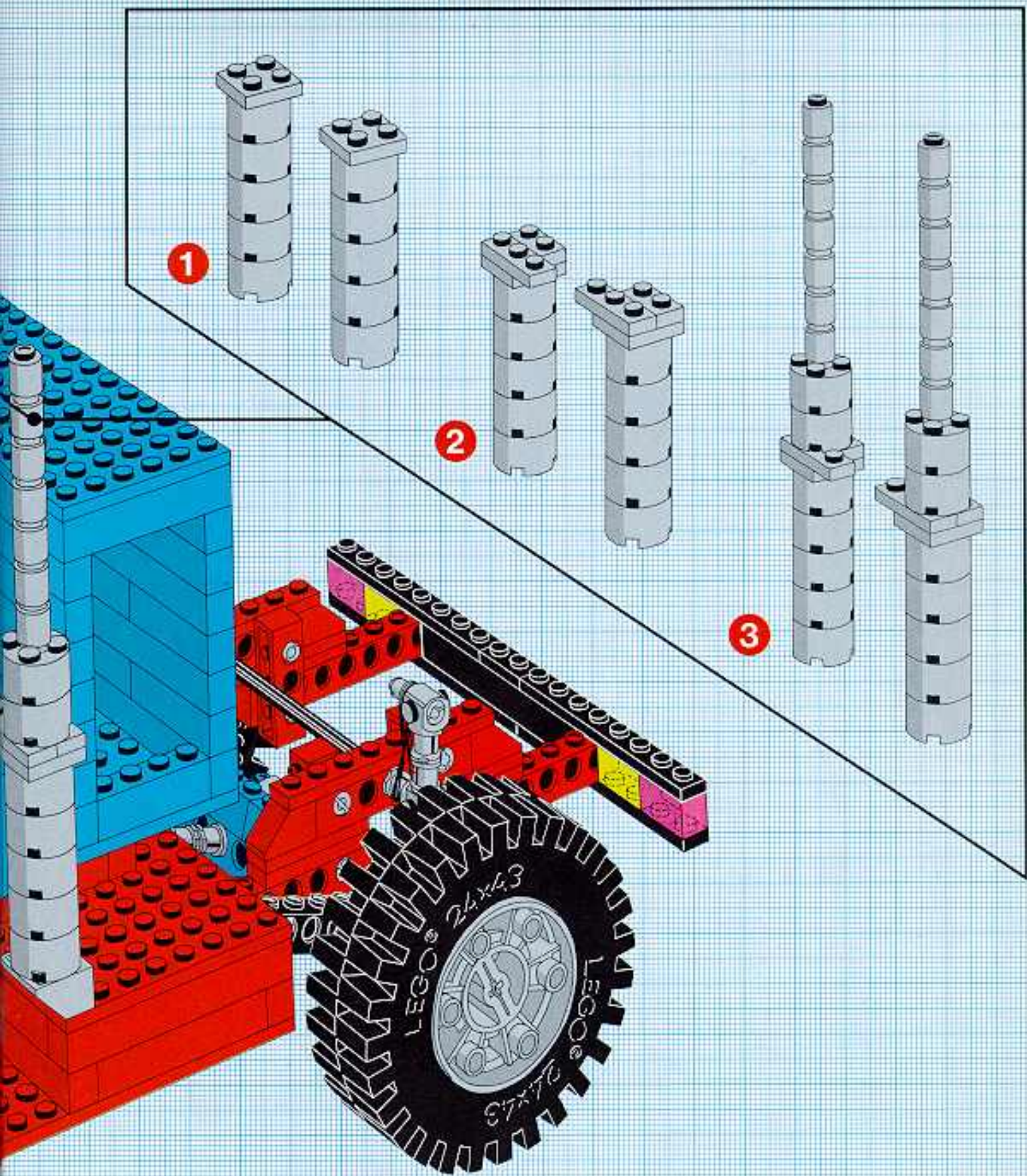


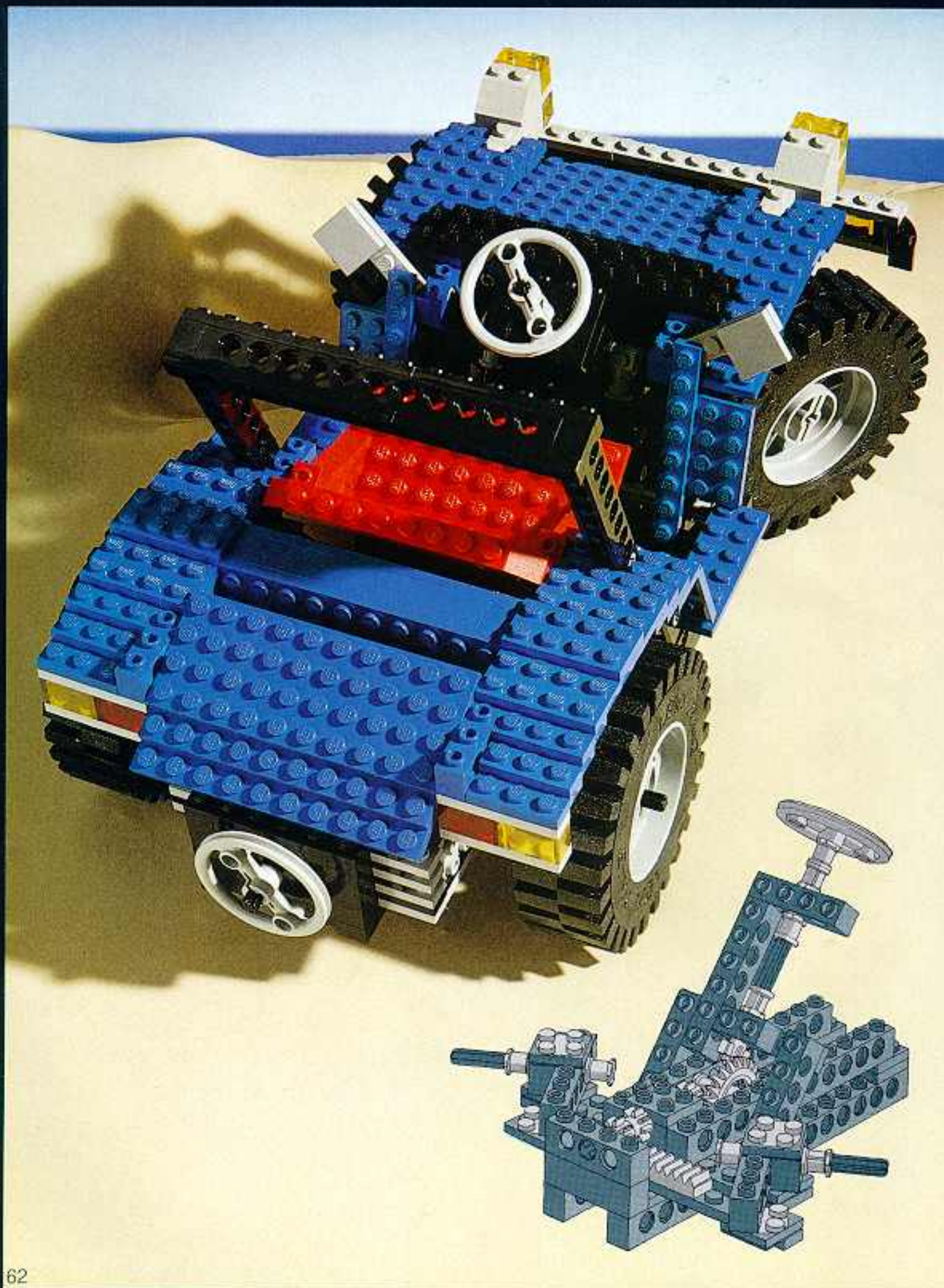


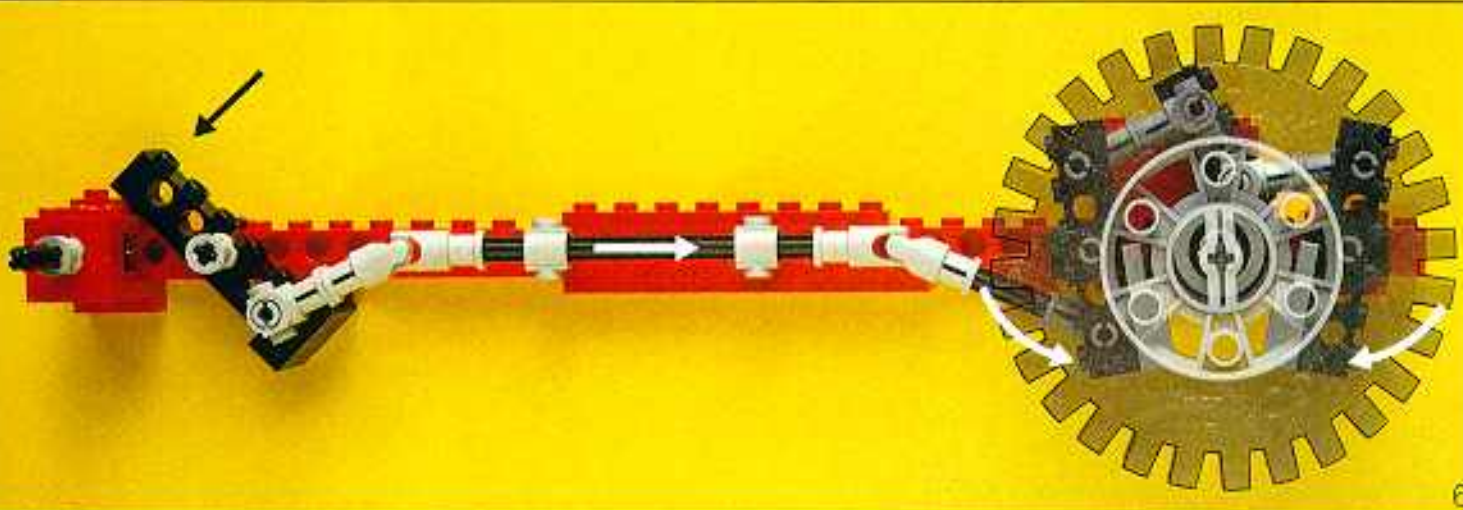
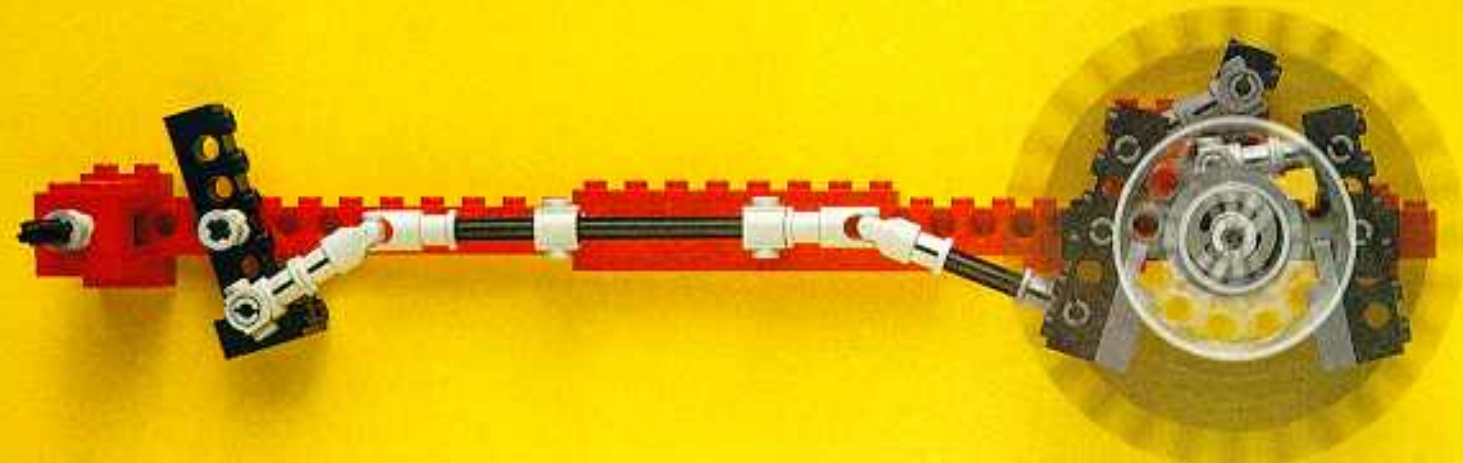


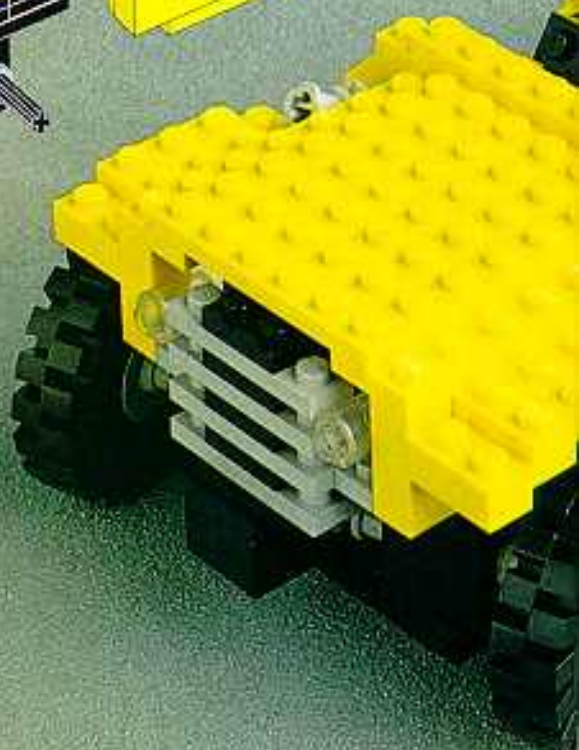
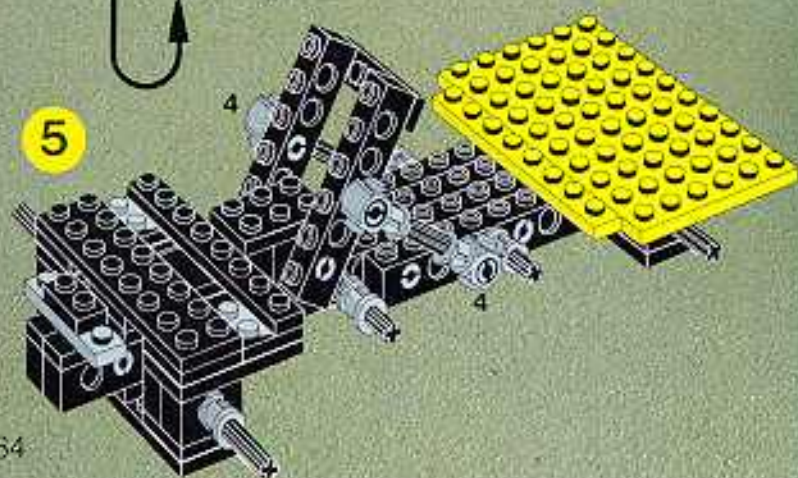
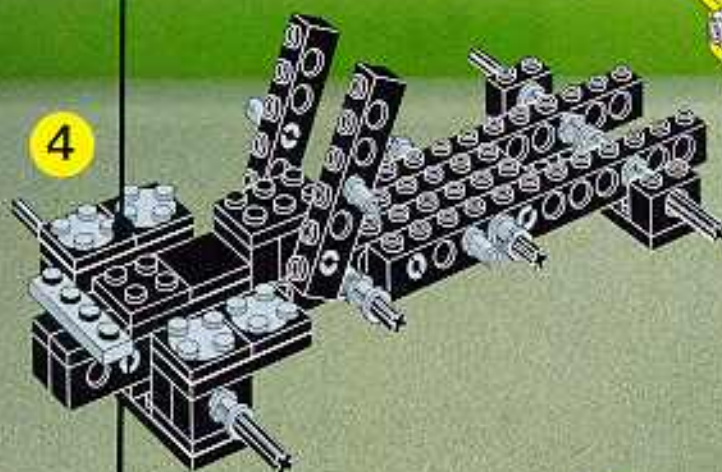
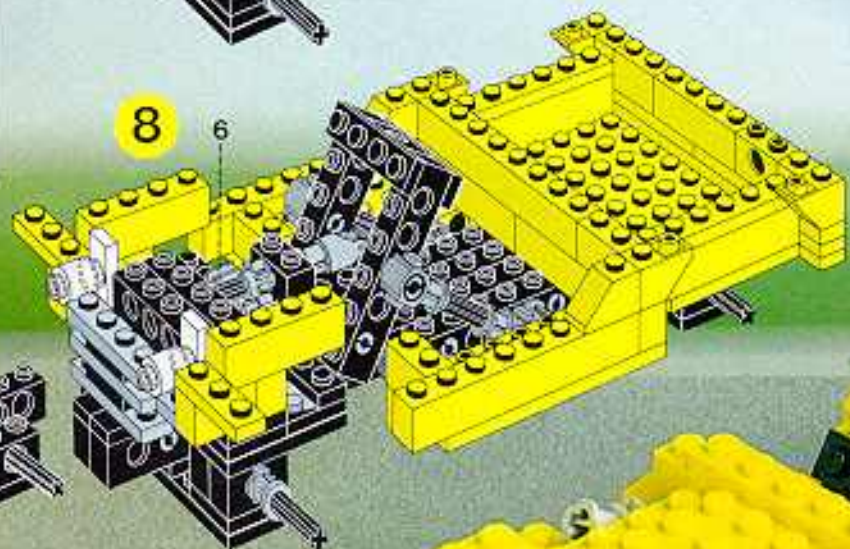
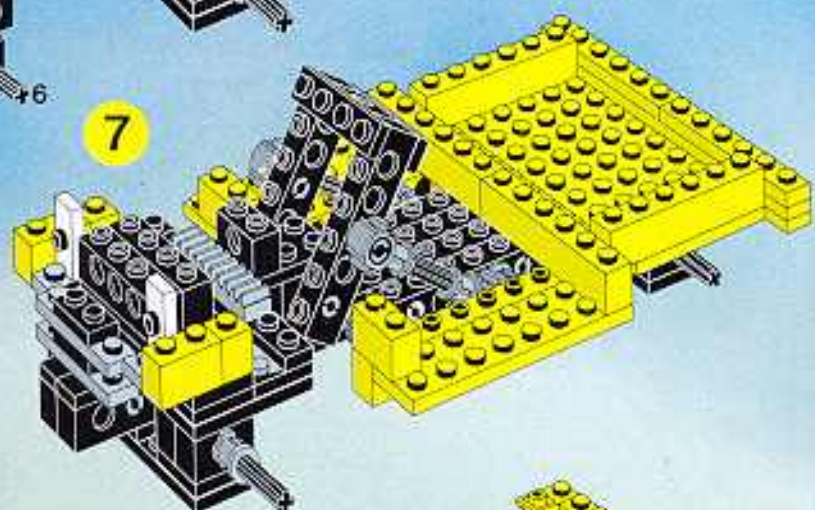
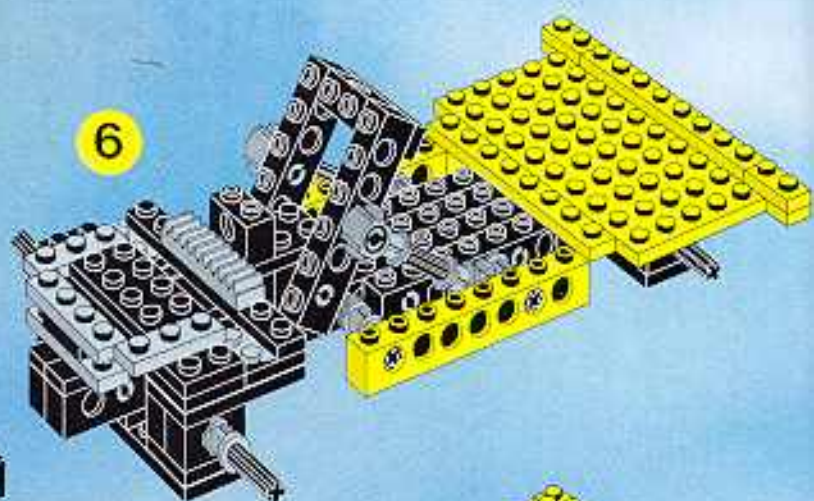
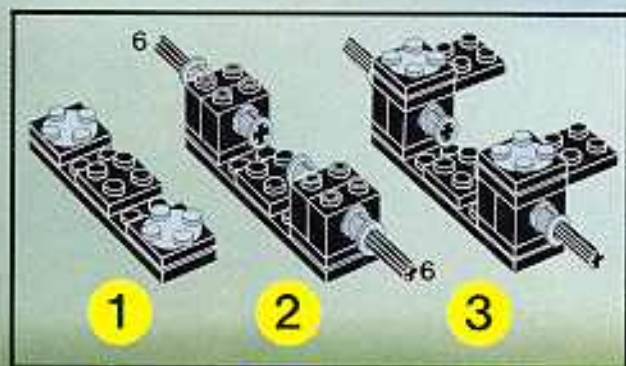
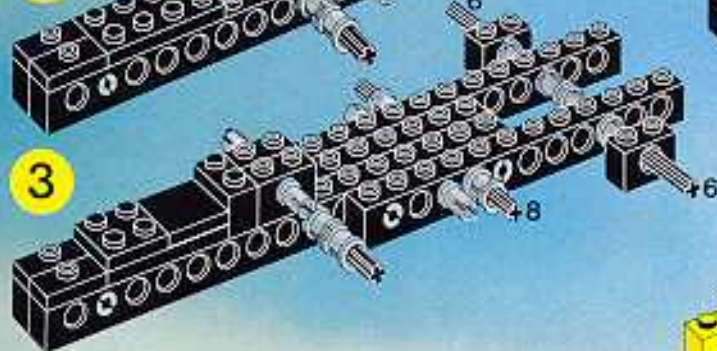
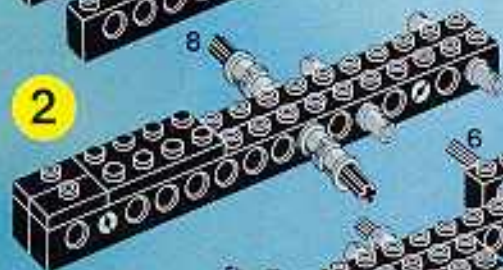
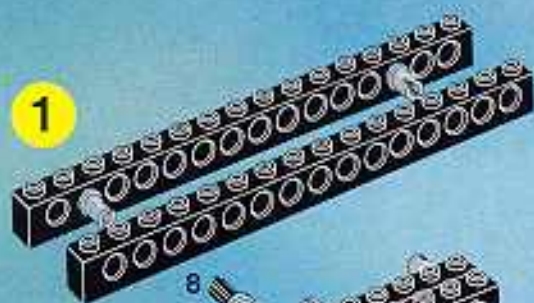


20

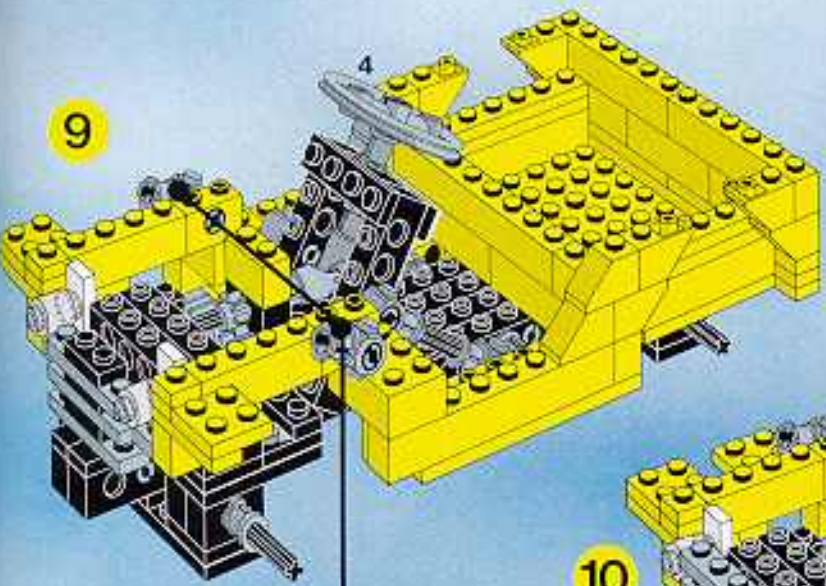




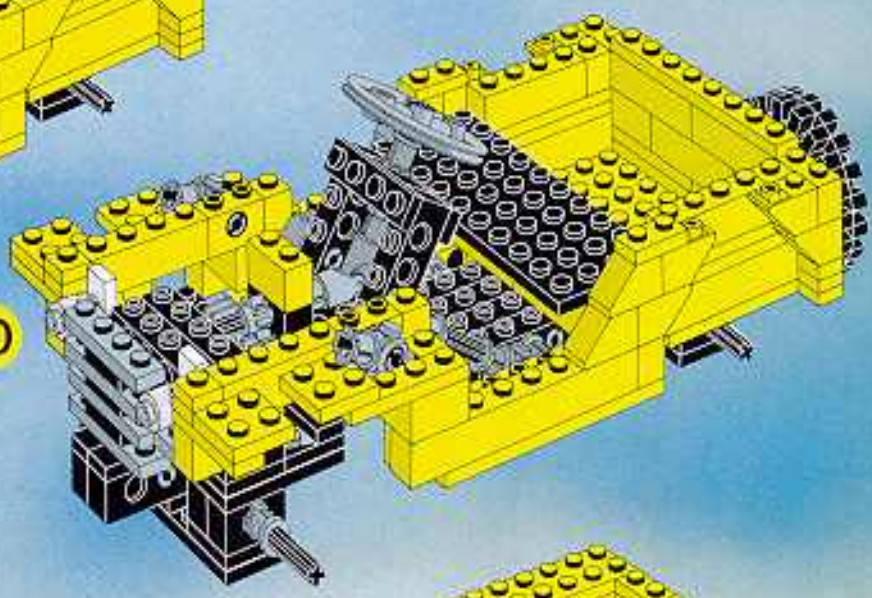




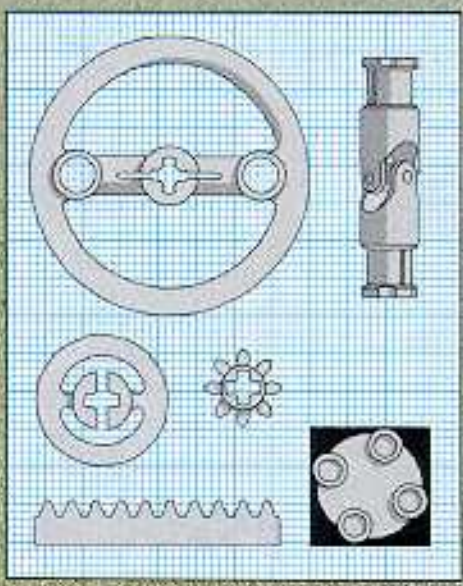
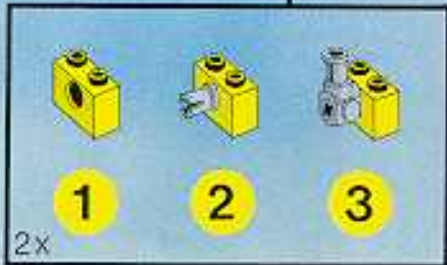
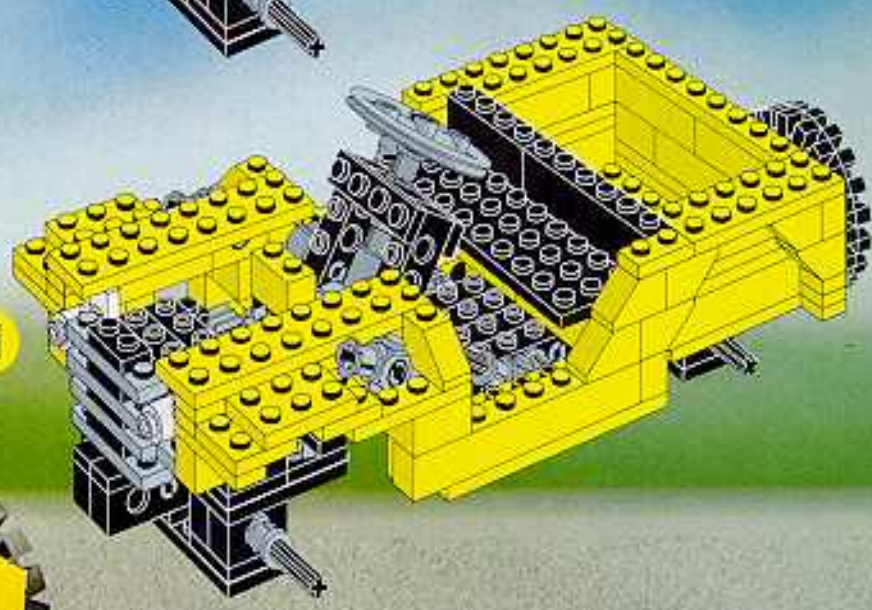
9

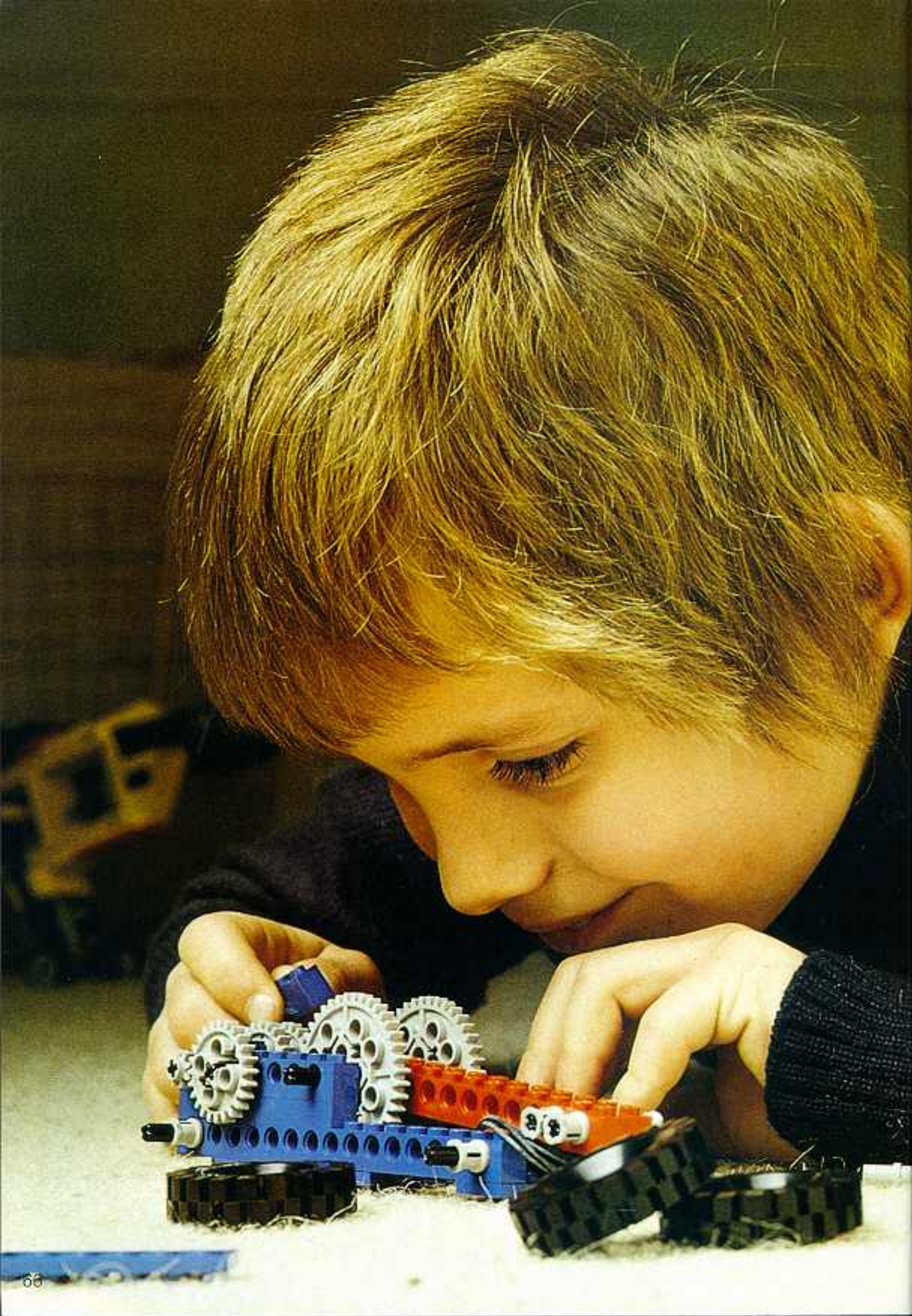


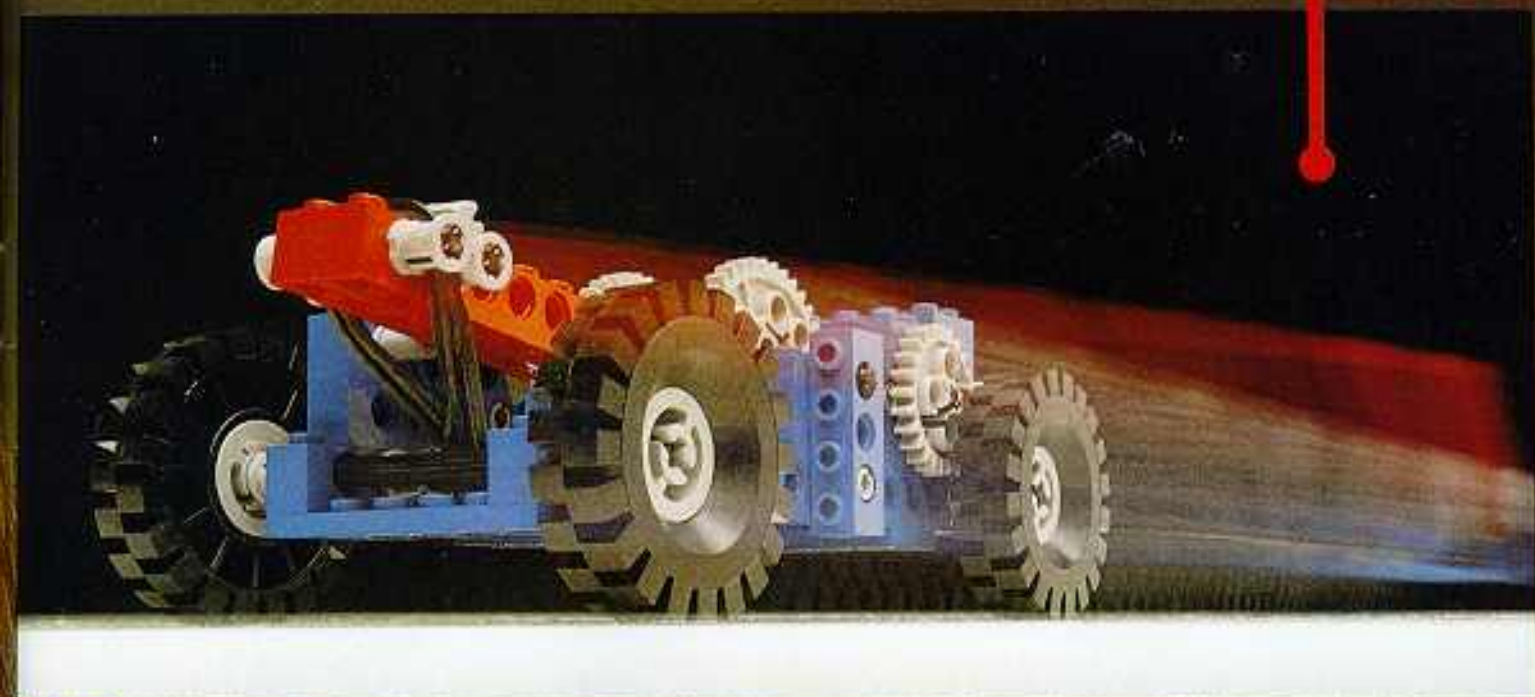
10

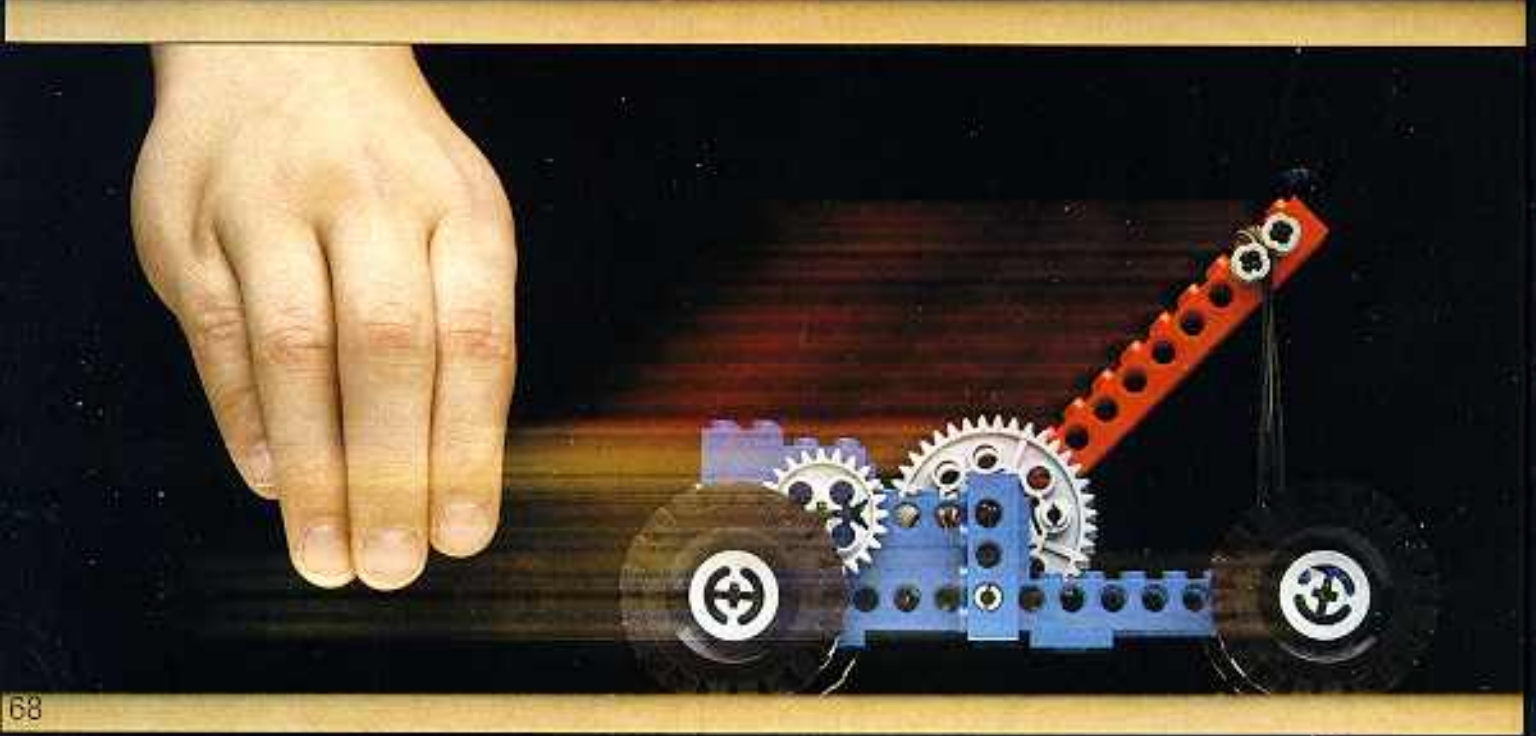
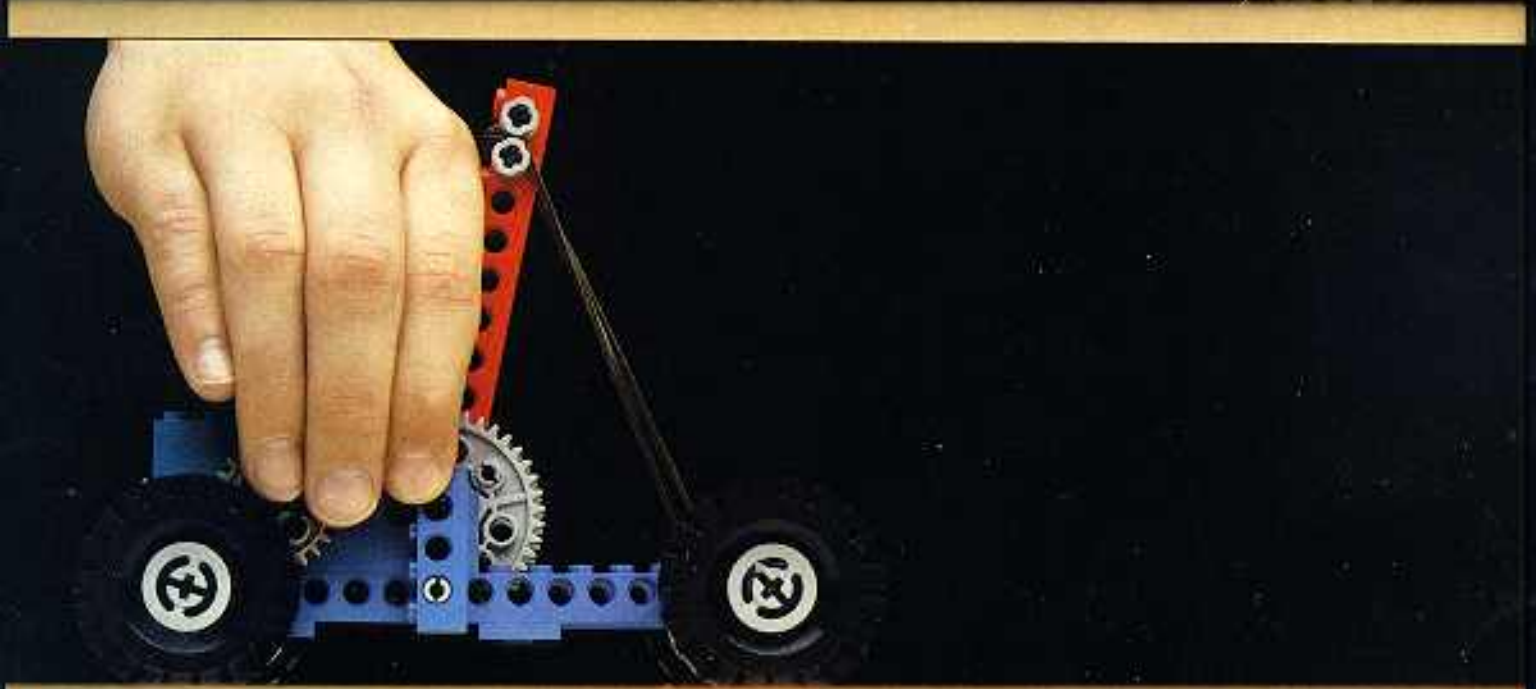
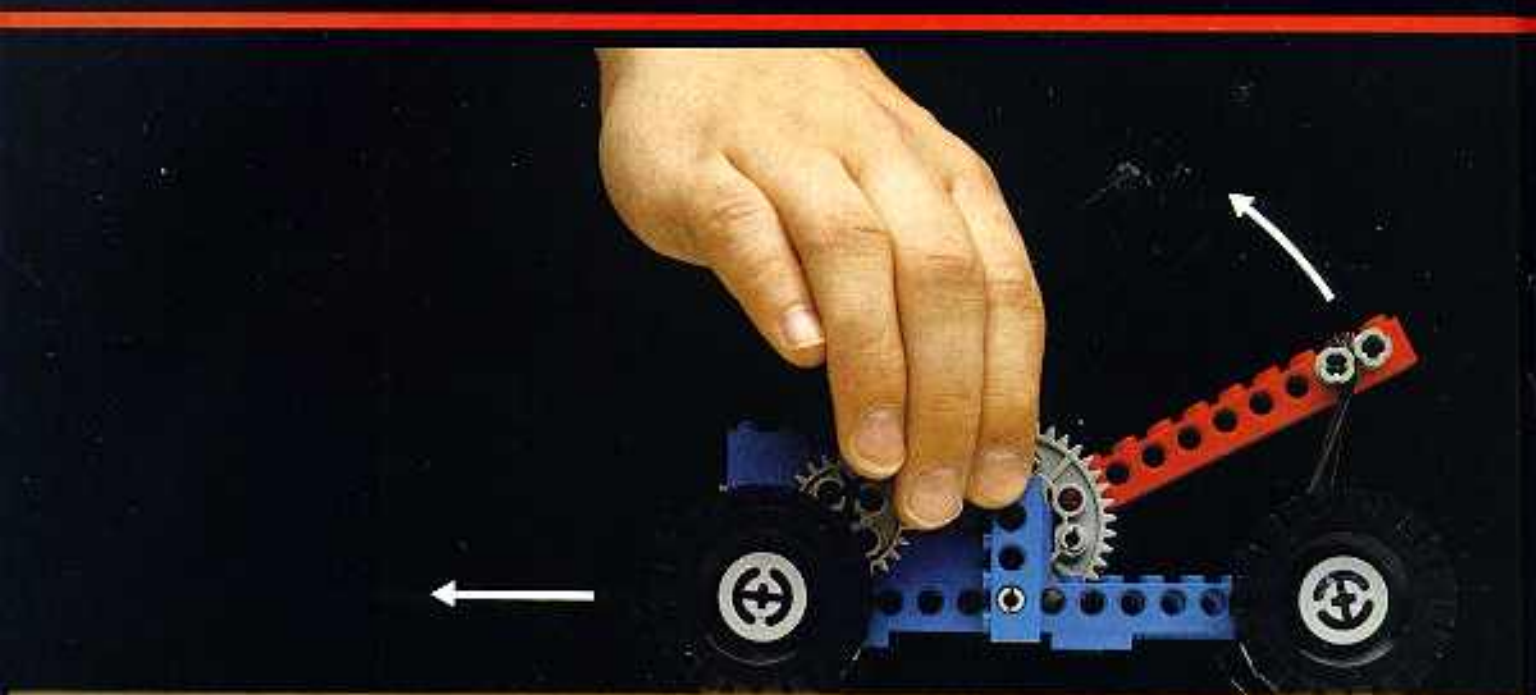


11

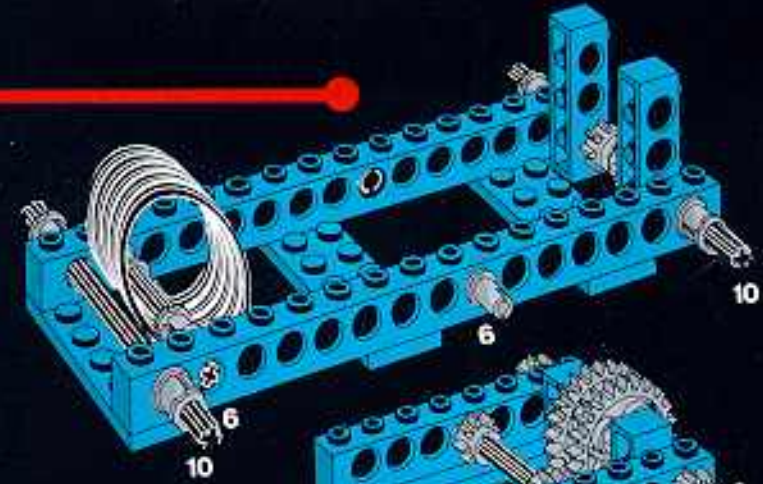




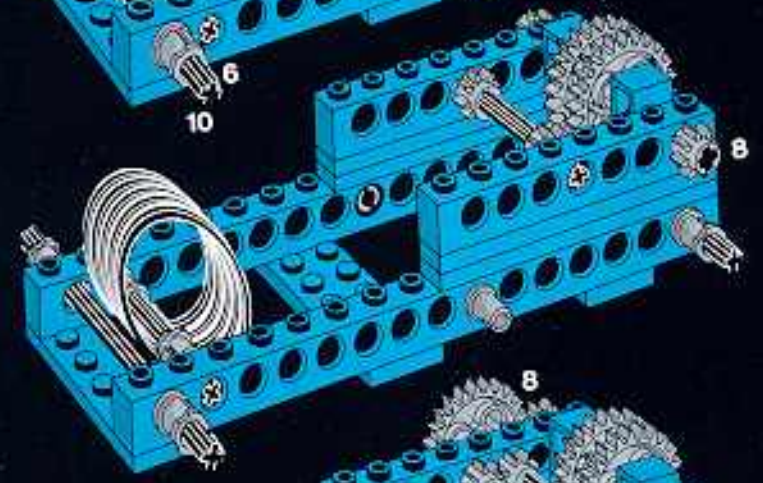




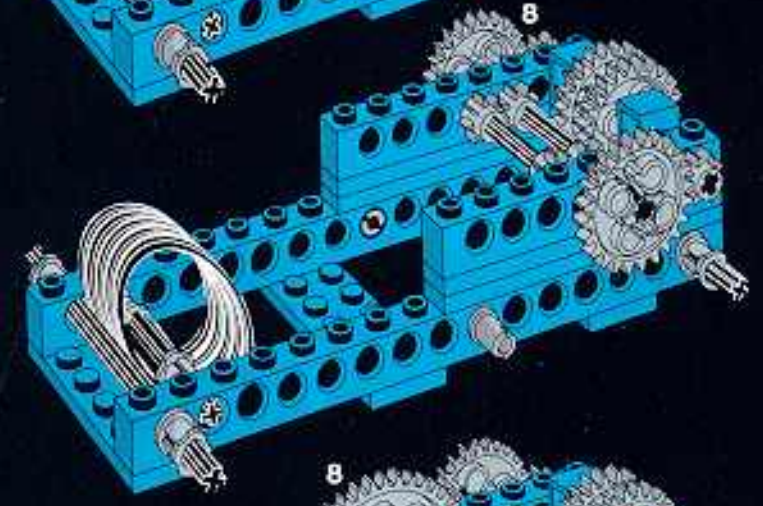
1



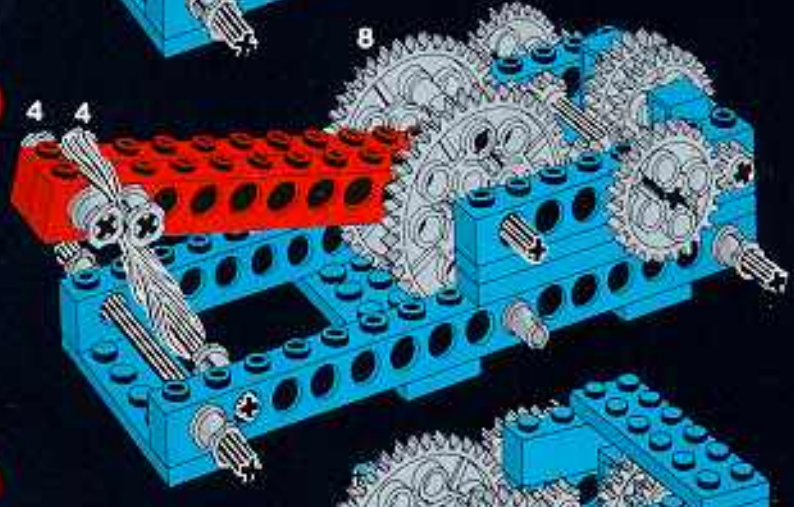
2



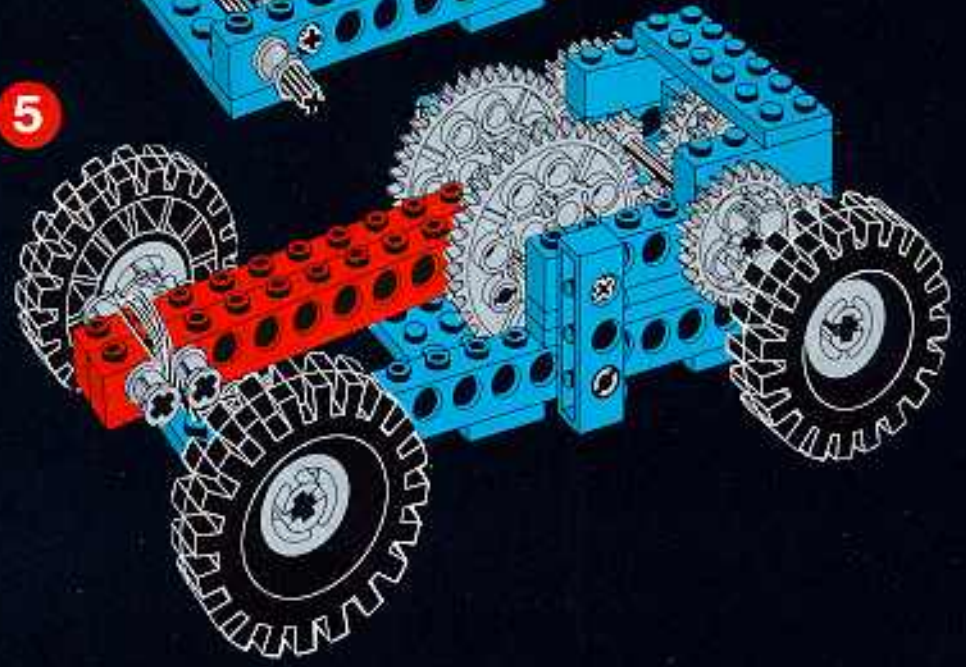
3

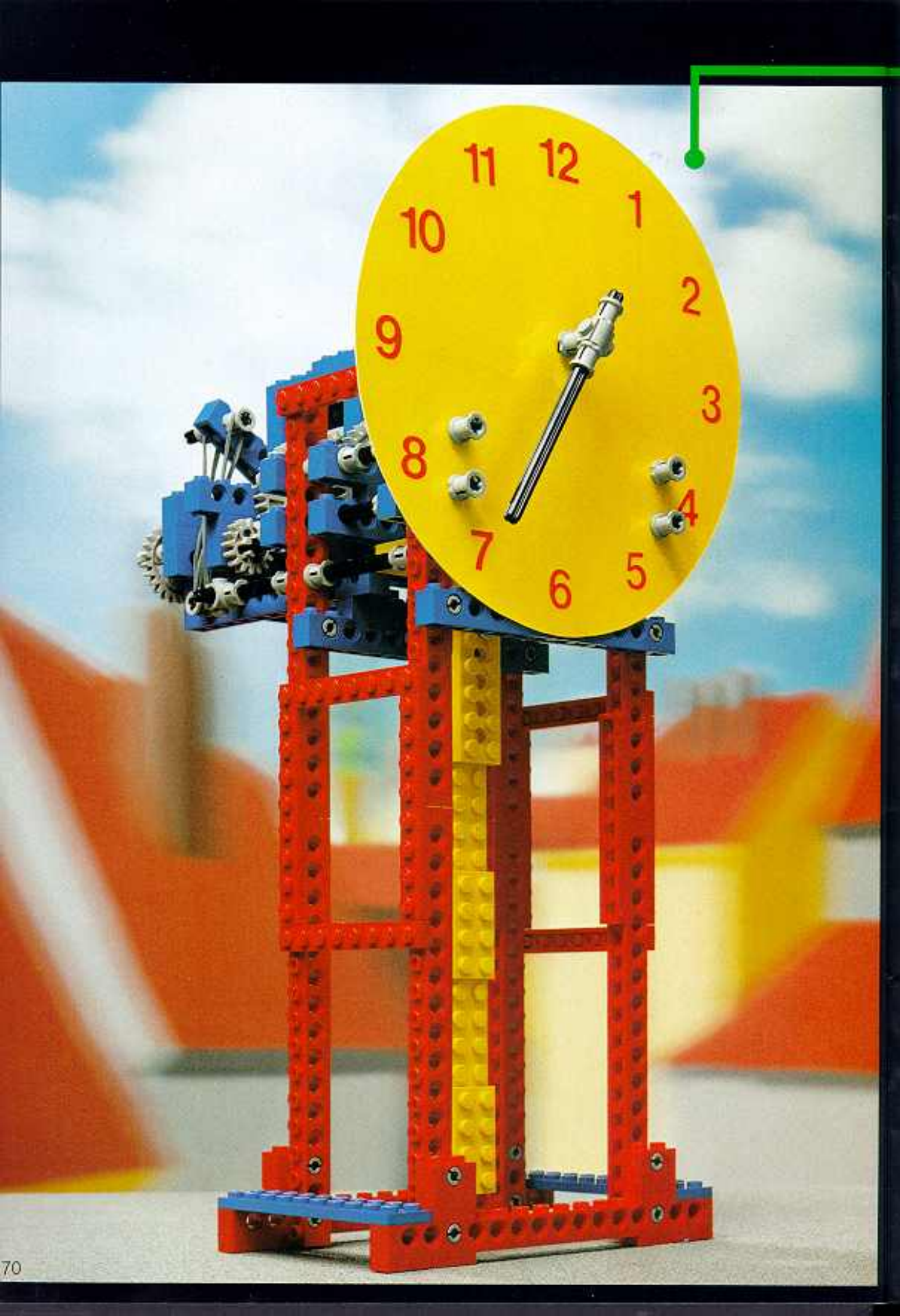


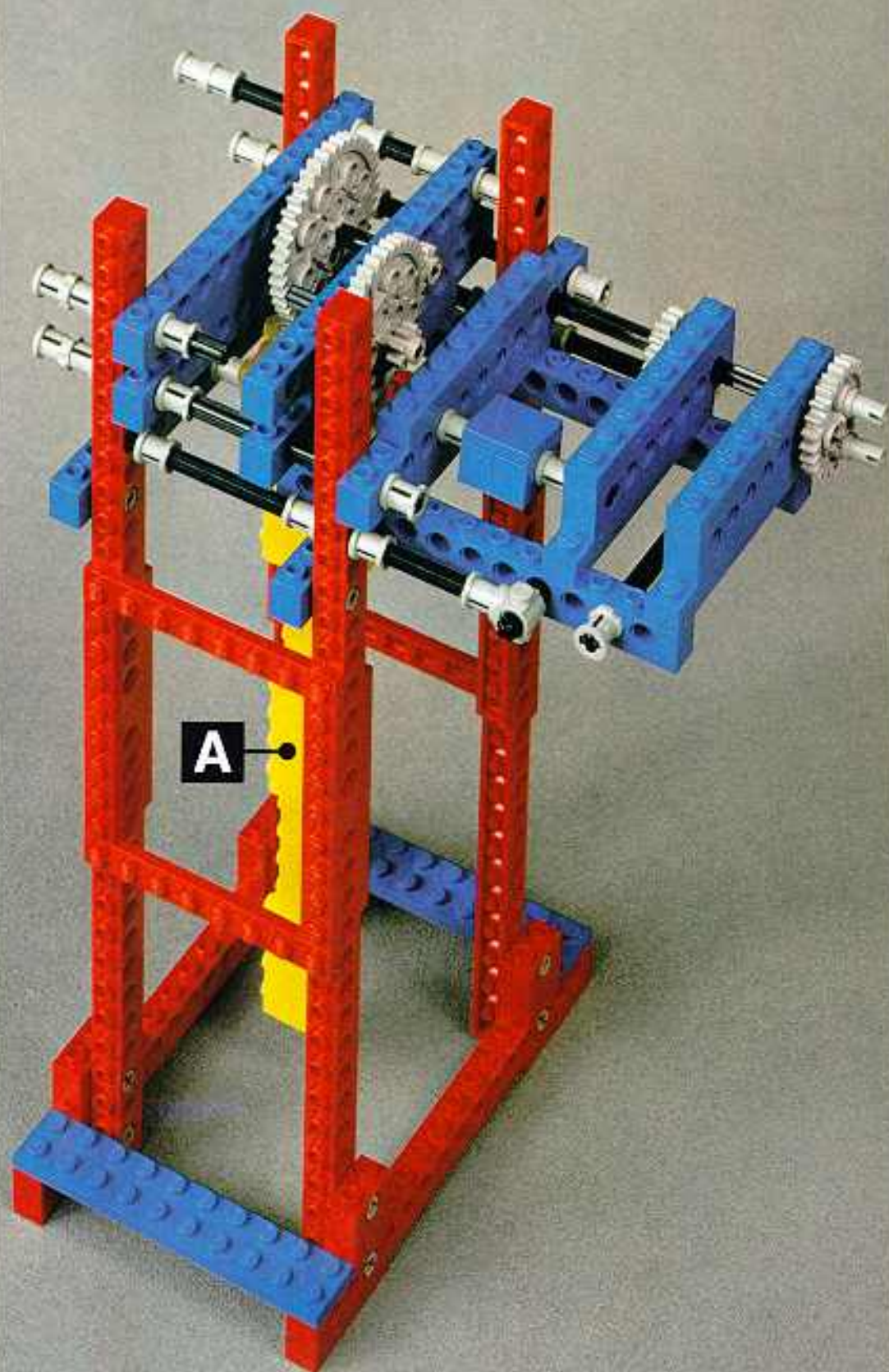
4



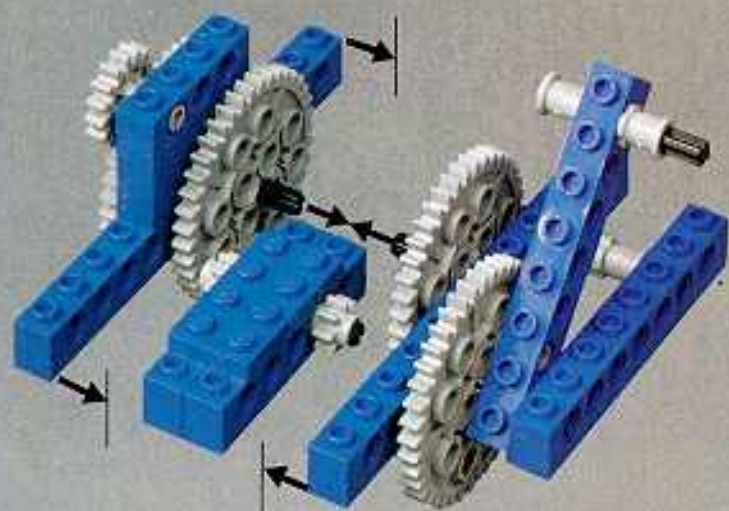
5



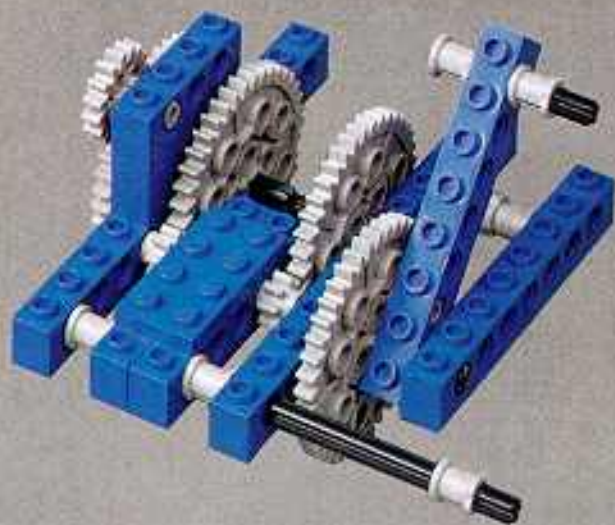


A**1**

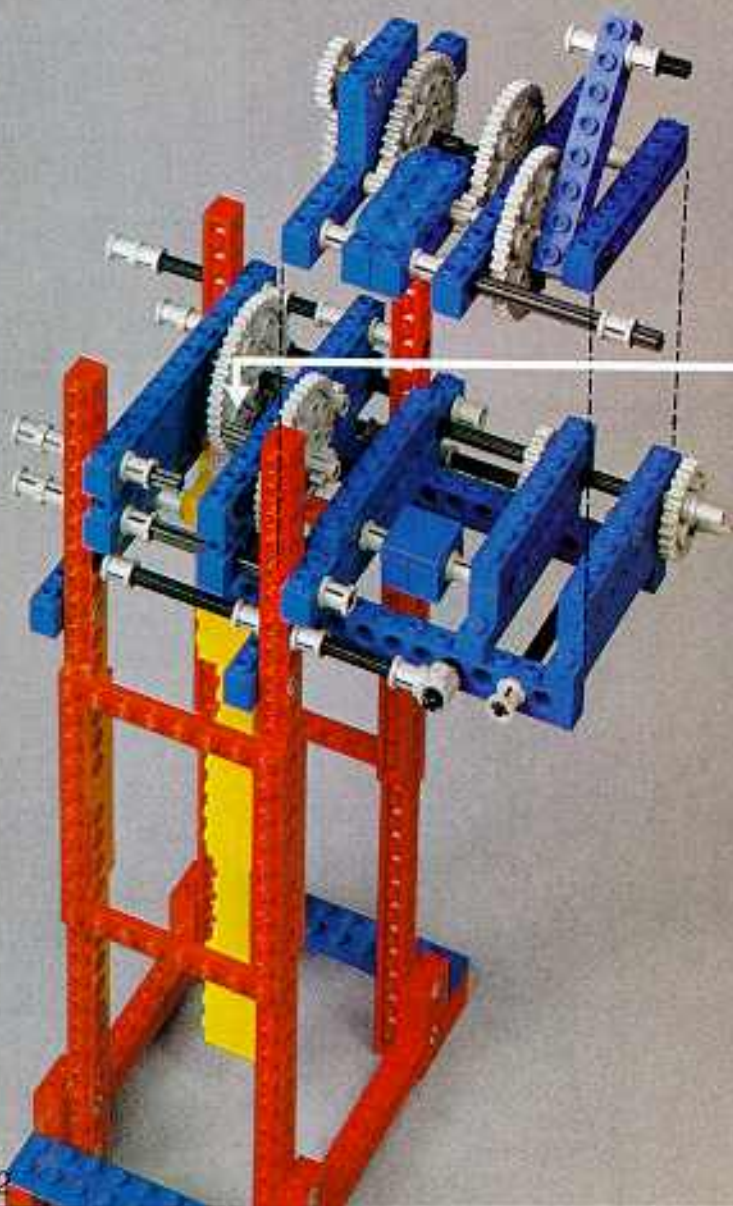
2



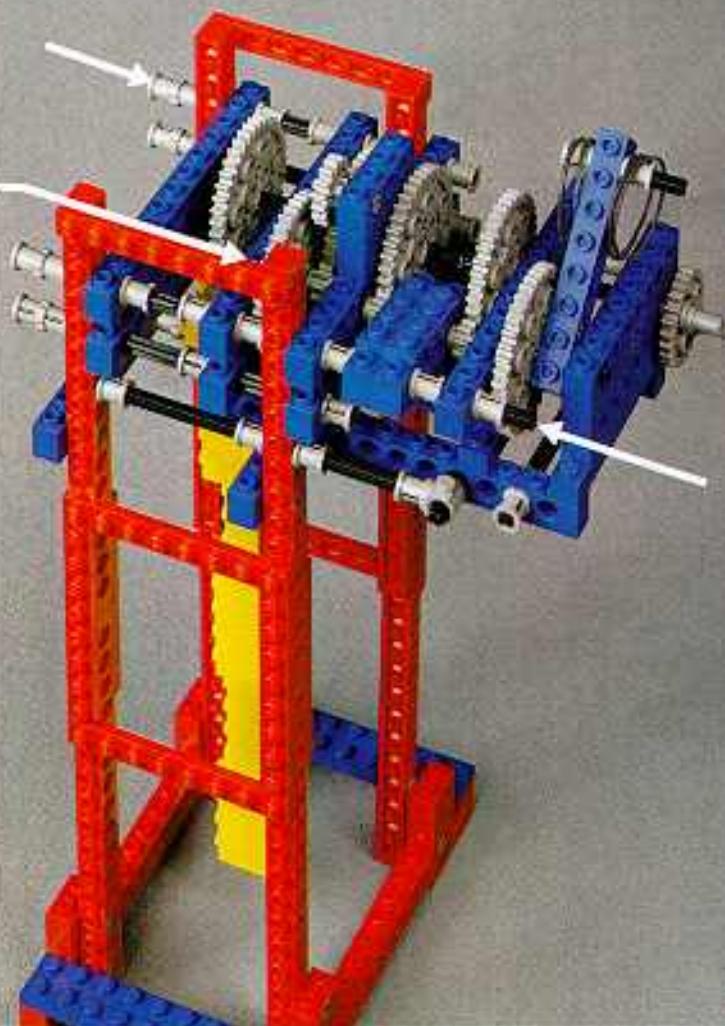
3

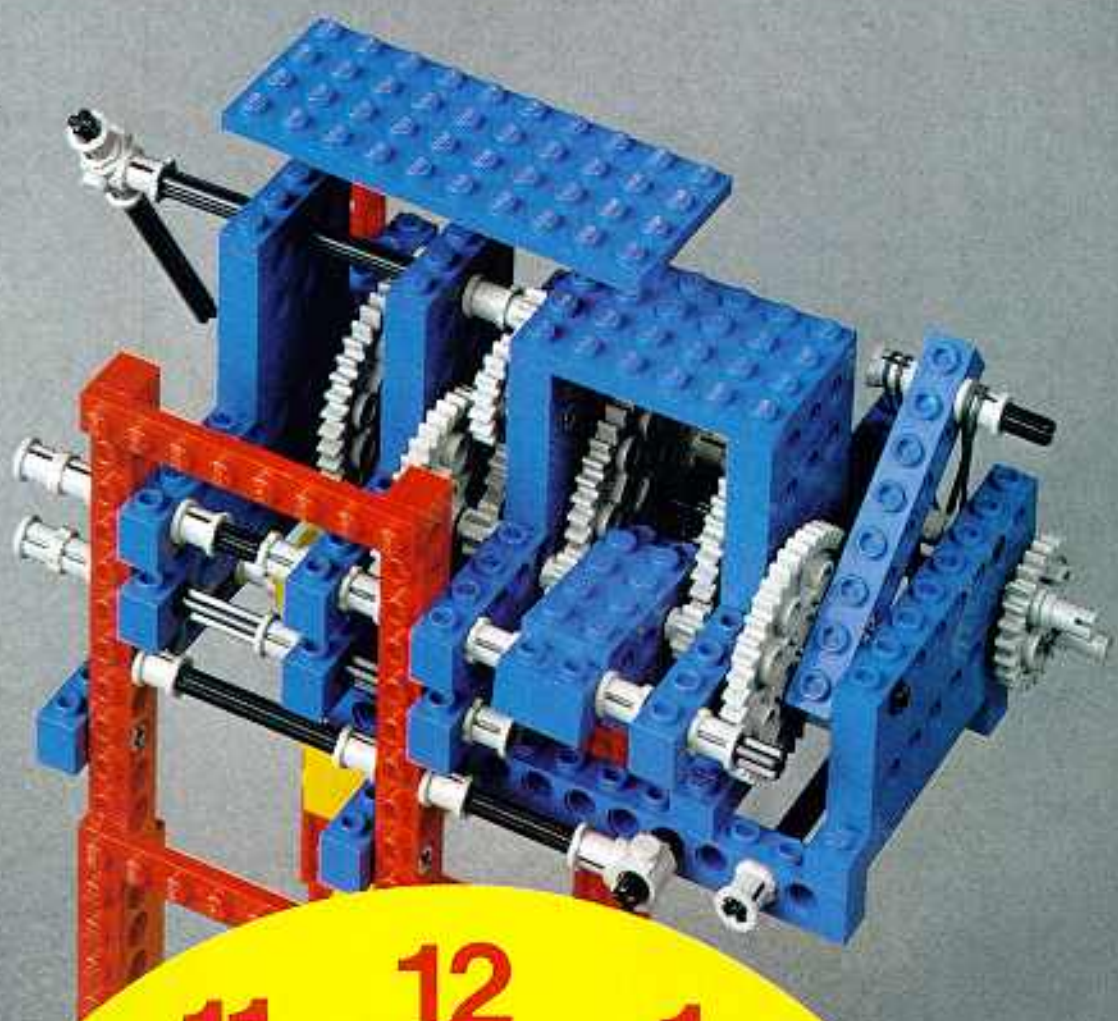


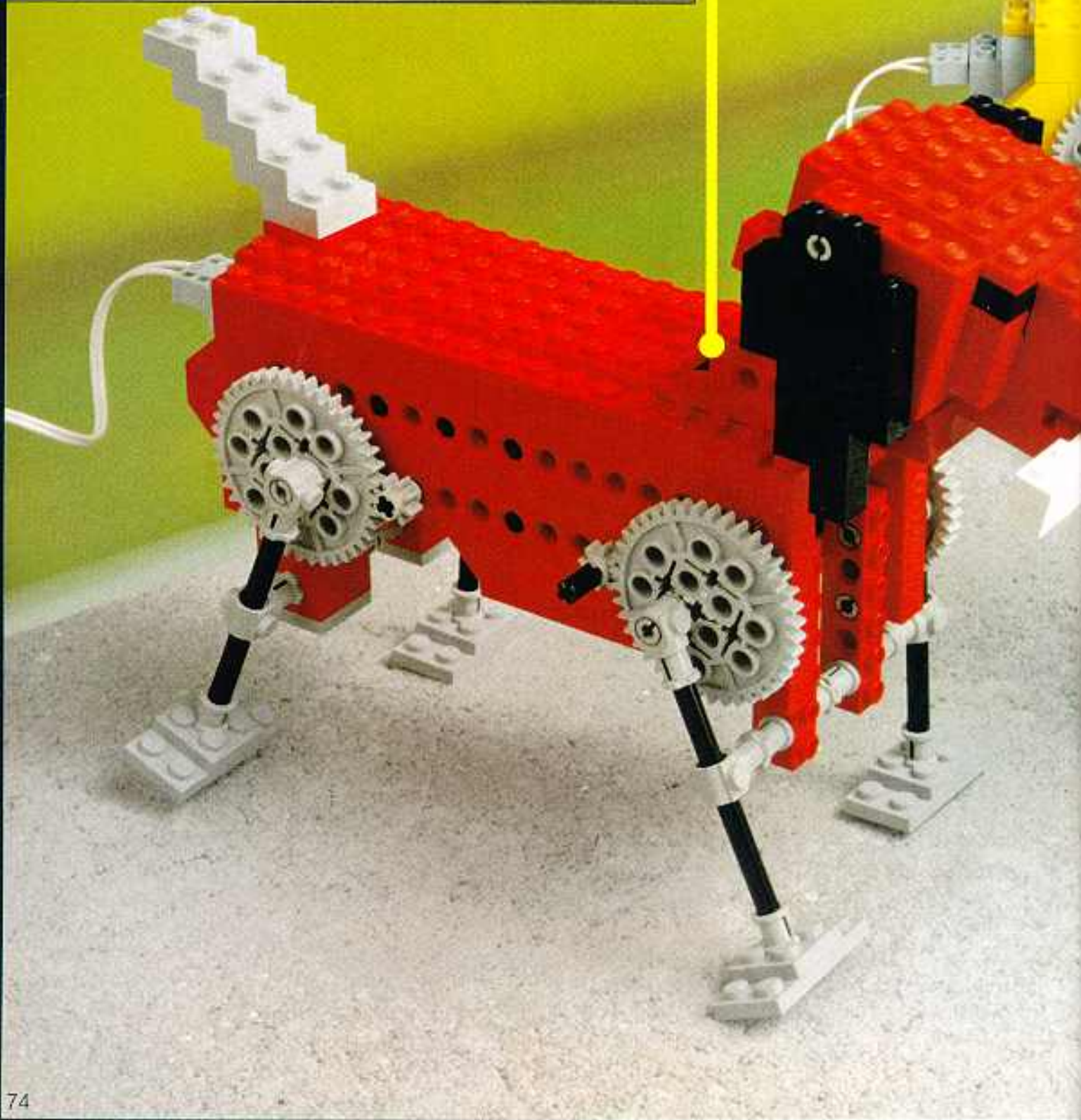
4

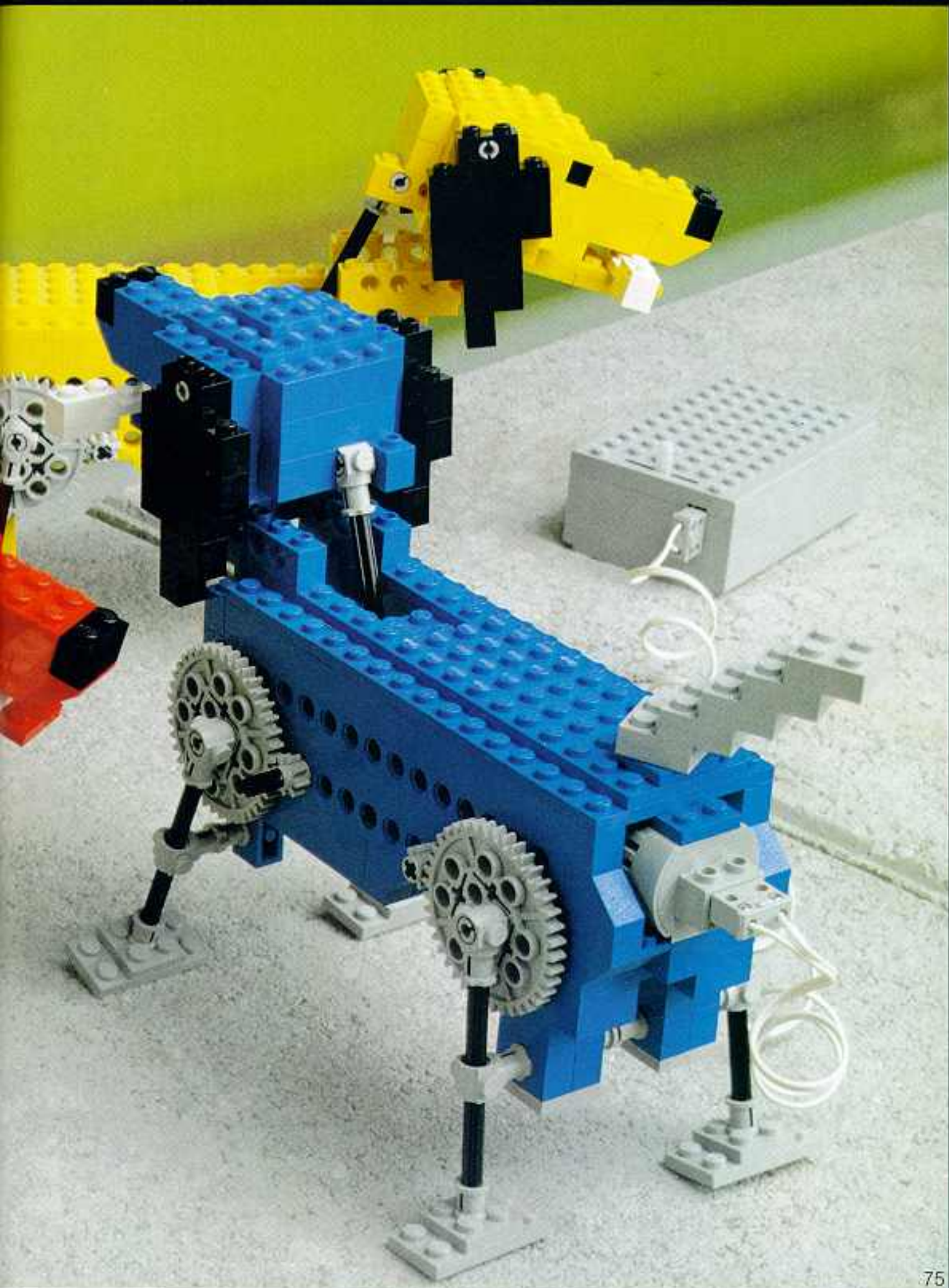


5

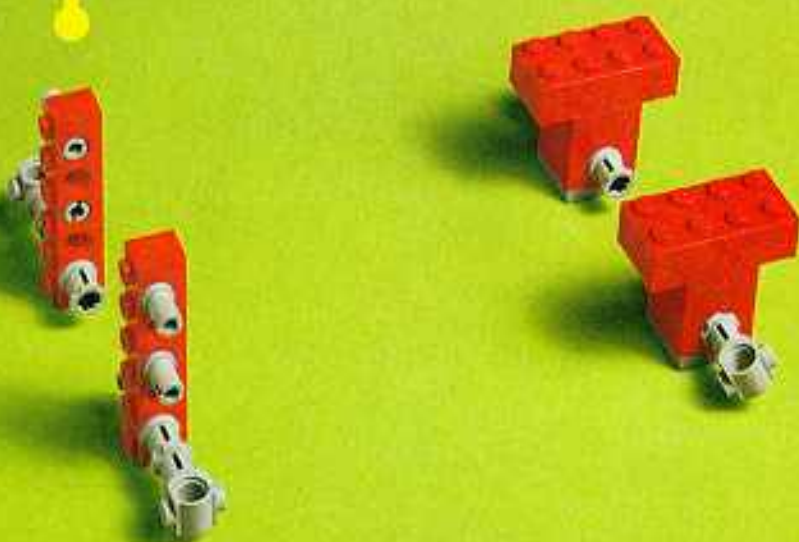




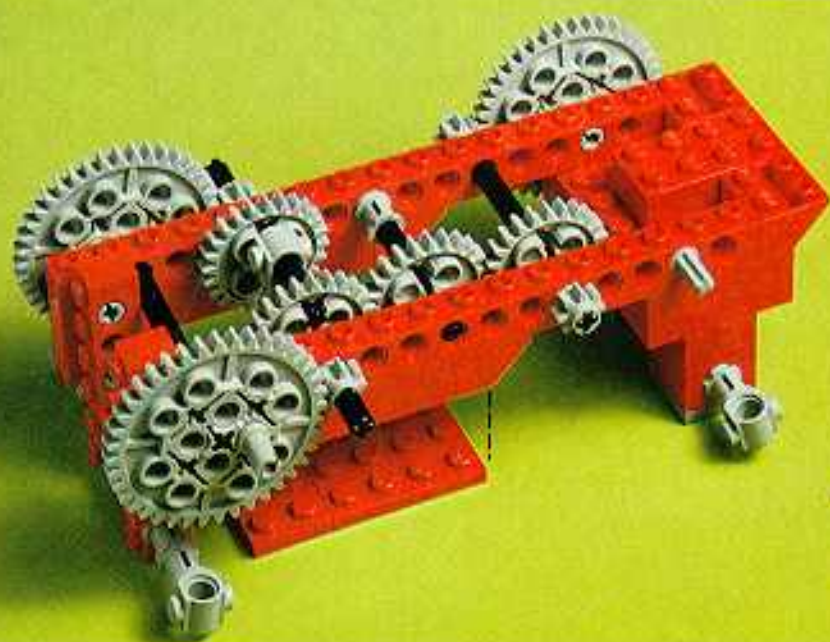




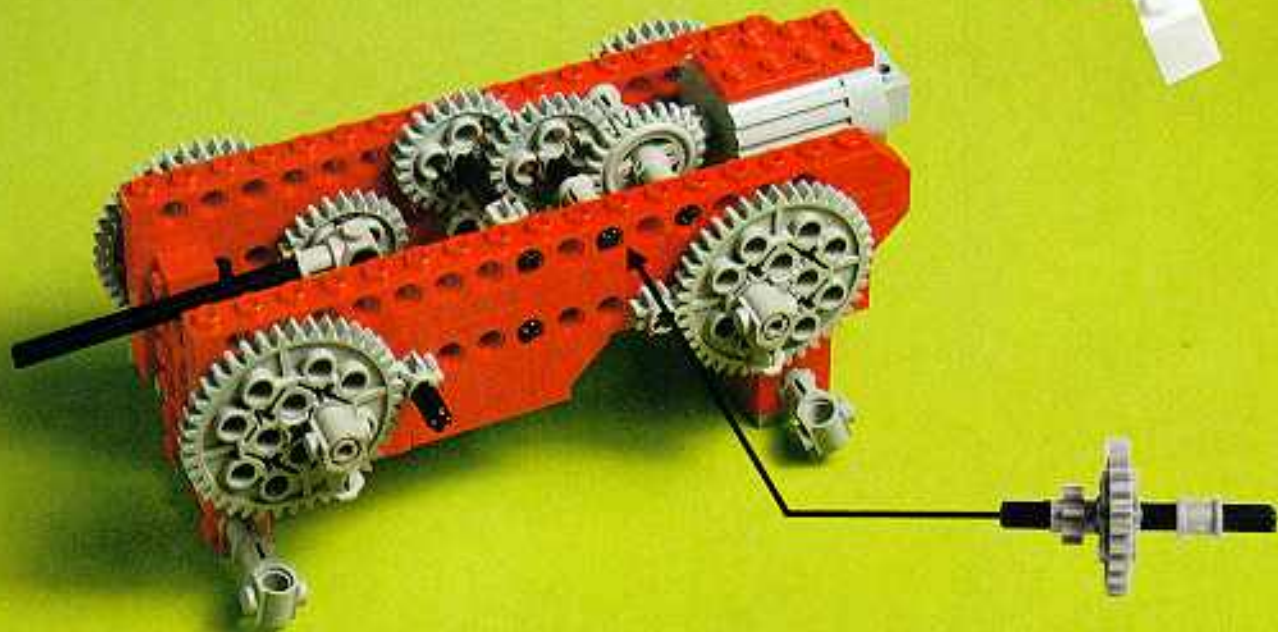
1



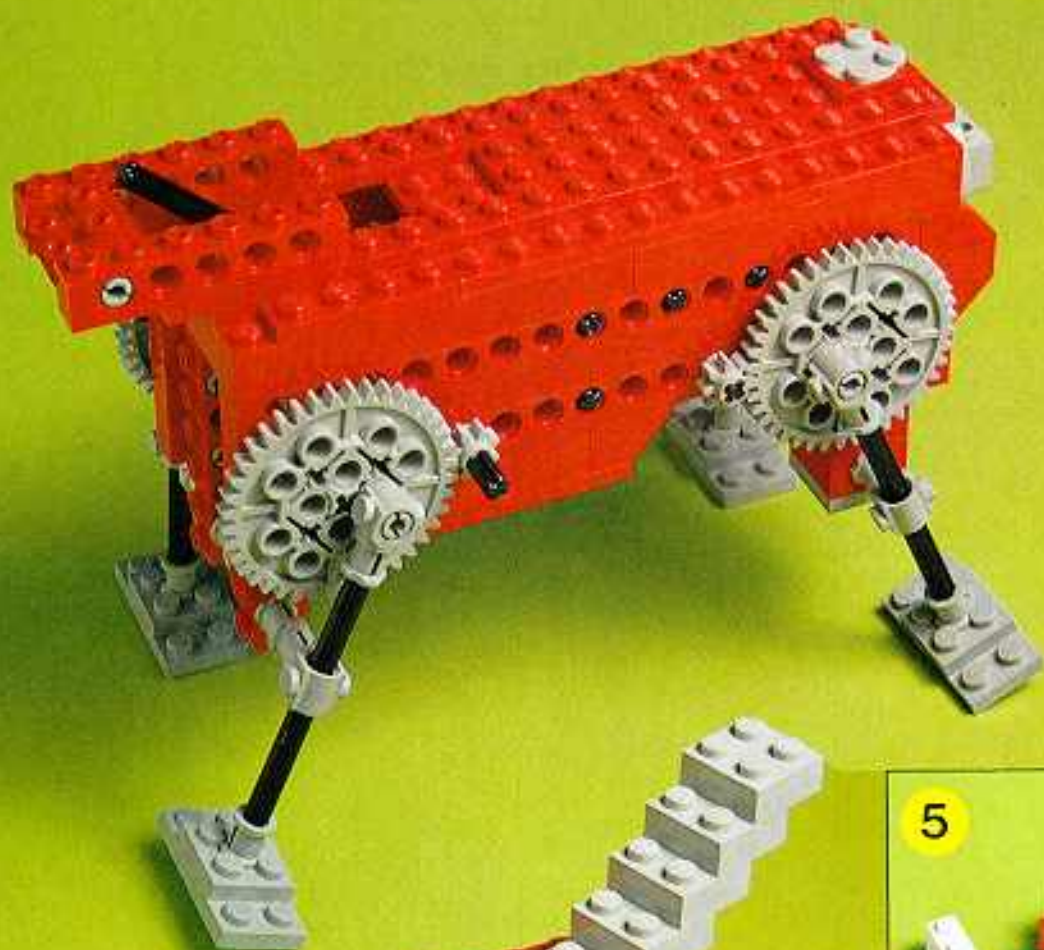
2



3



4



5



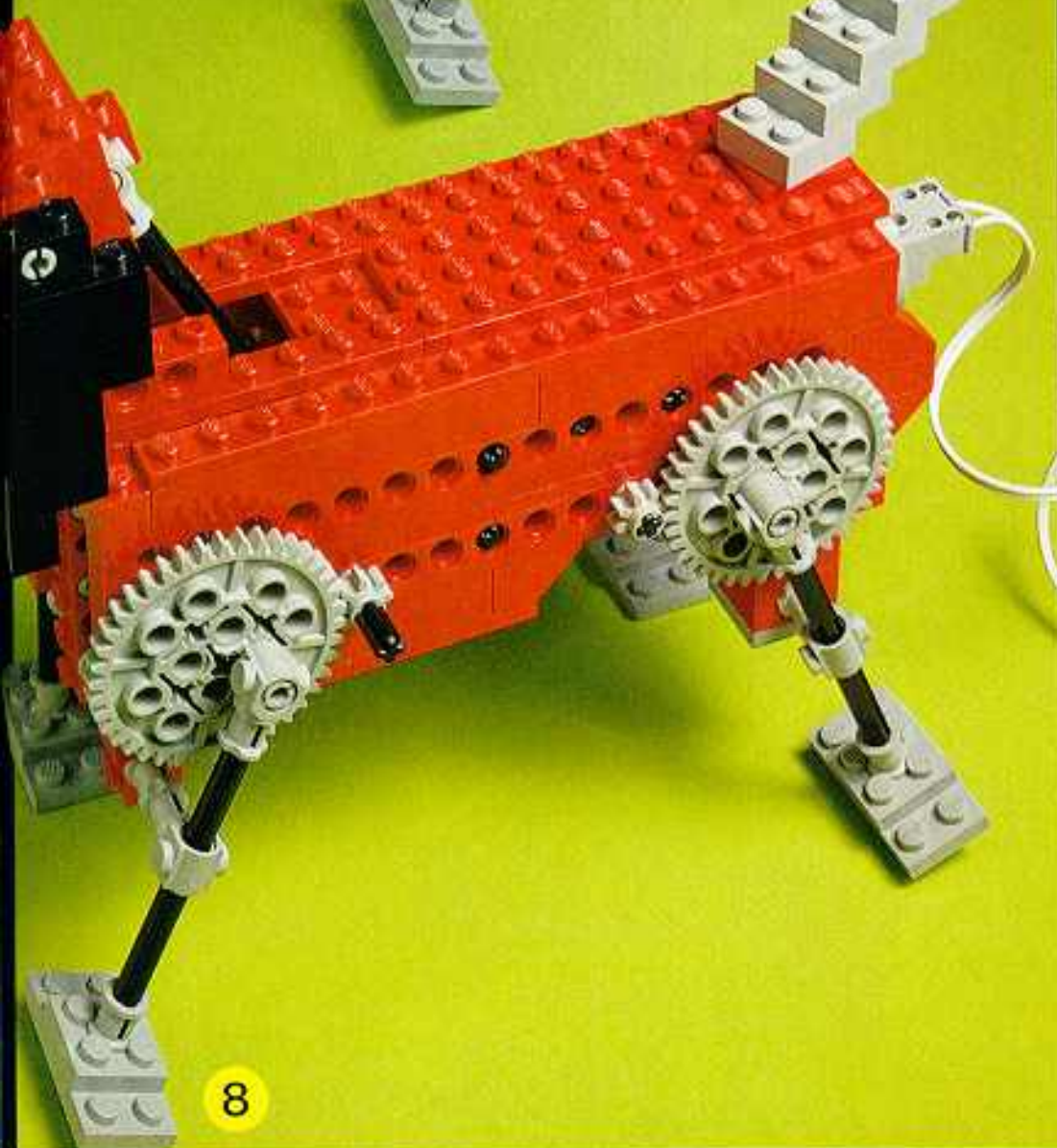
6

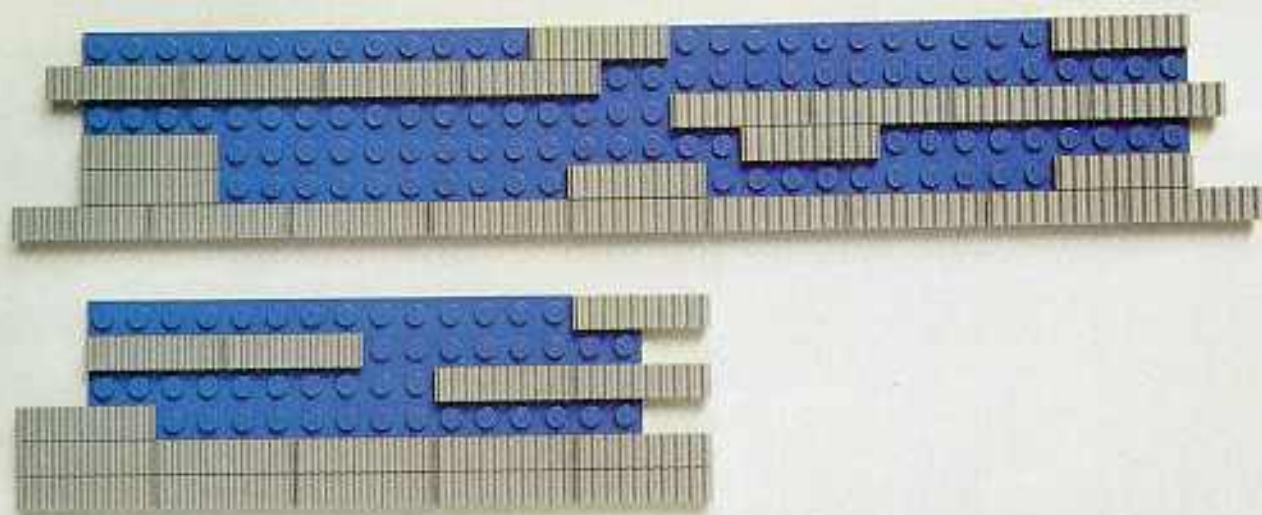


7

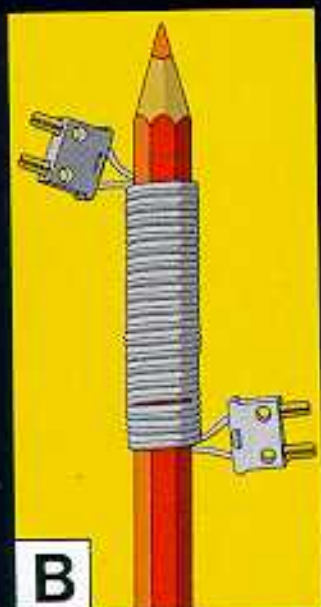


8

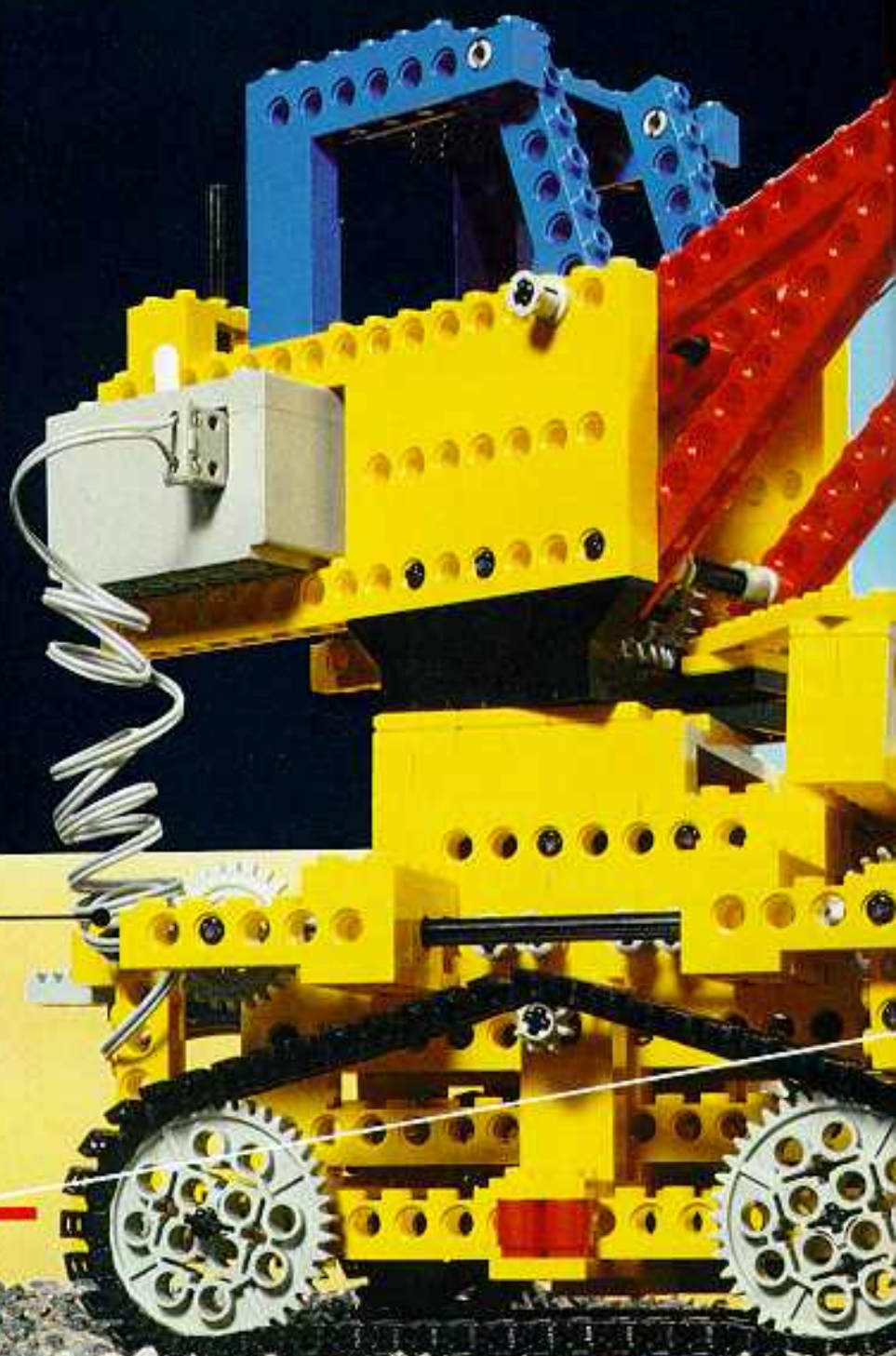




A

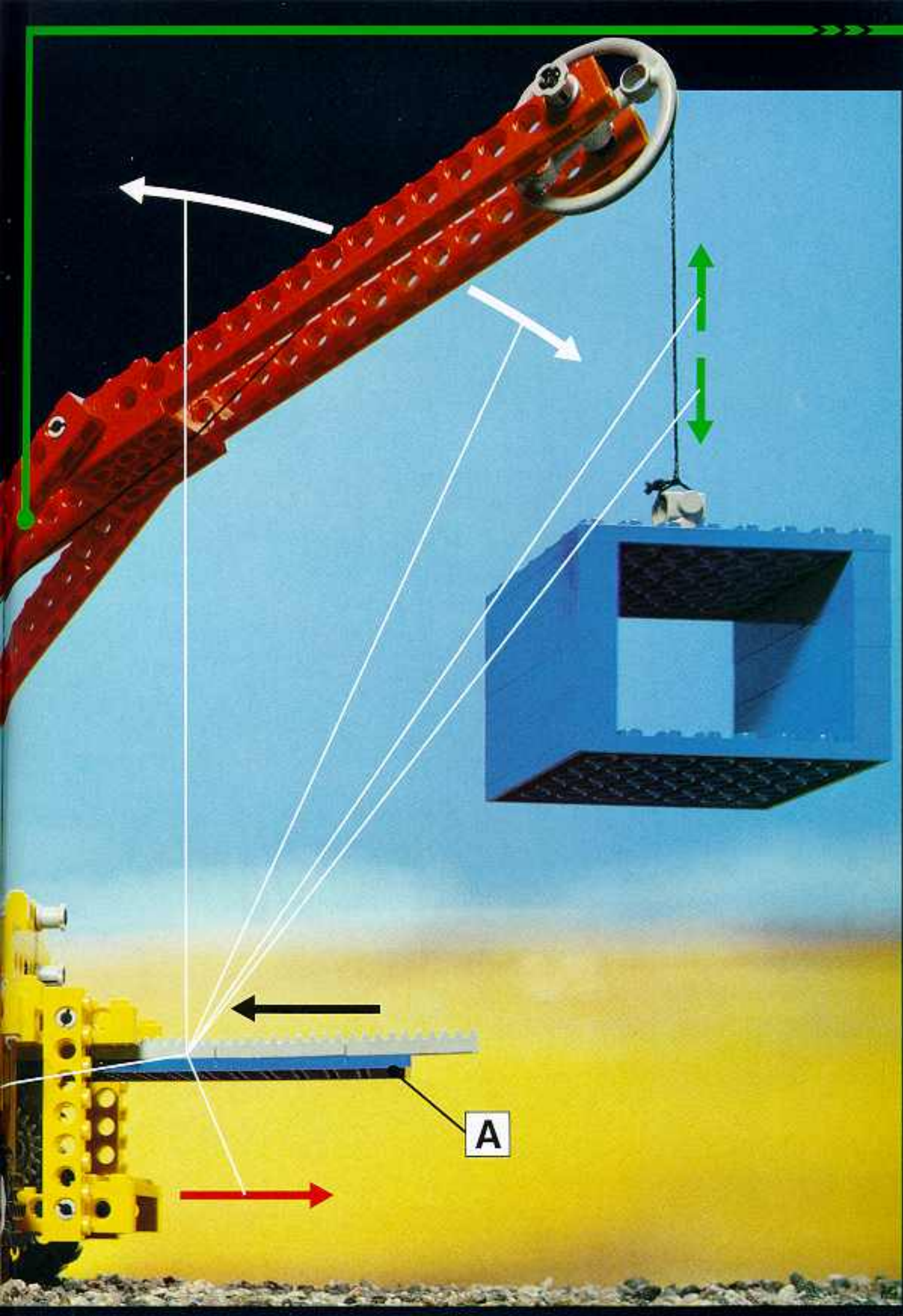


B

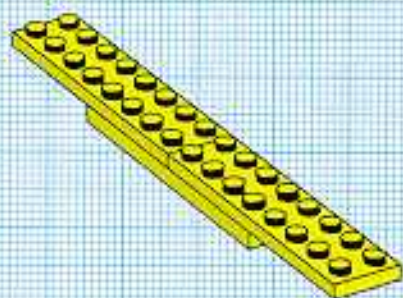


B

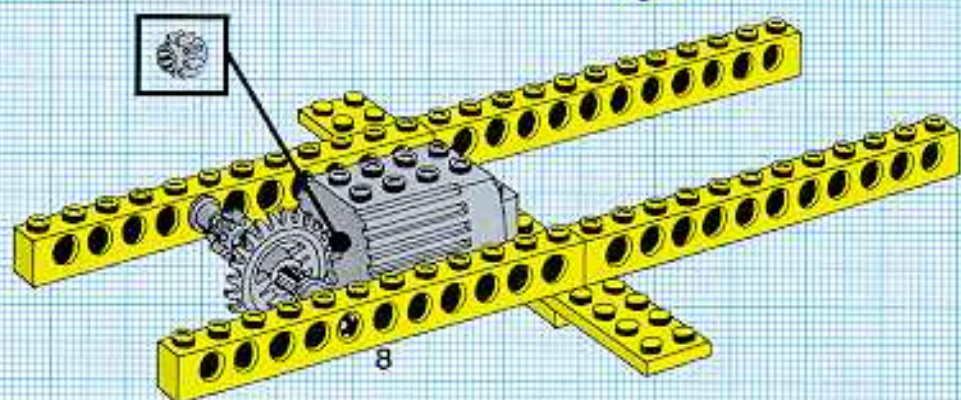




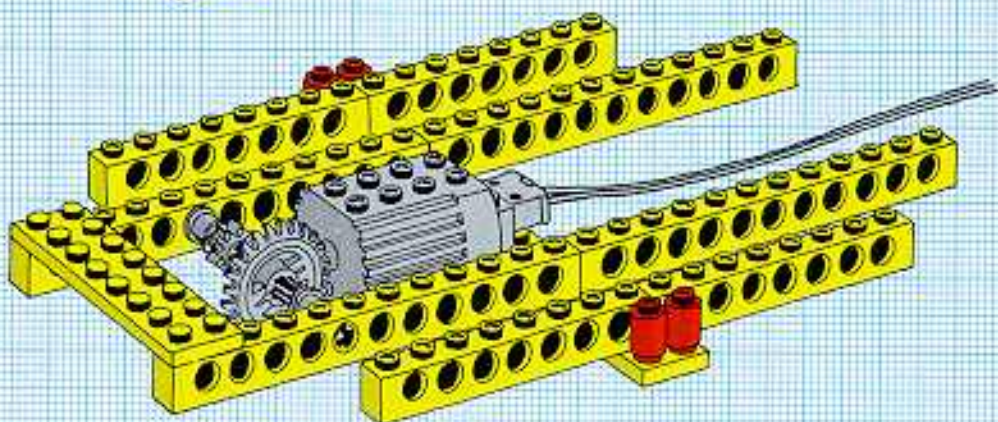
1



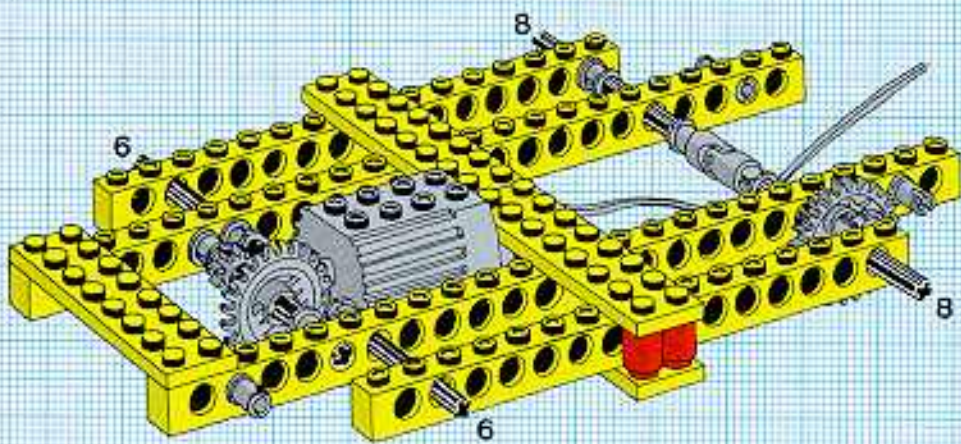
2



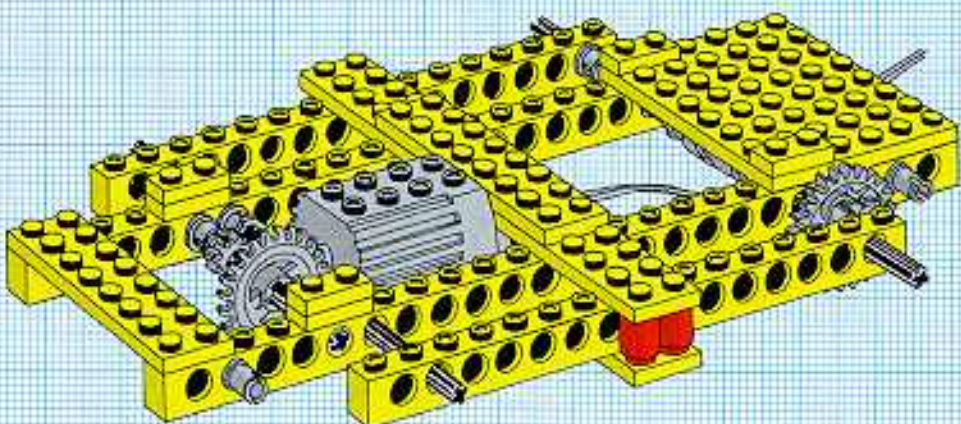
3

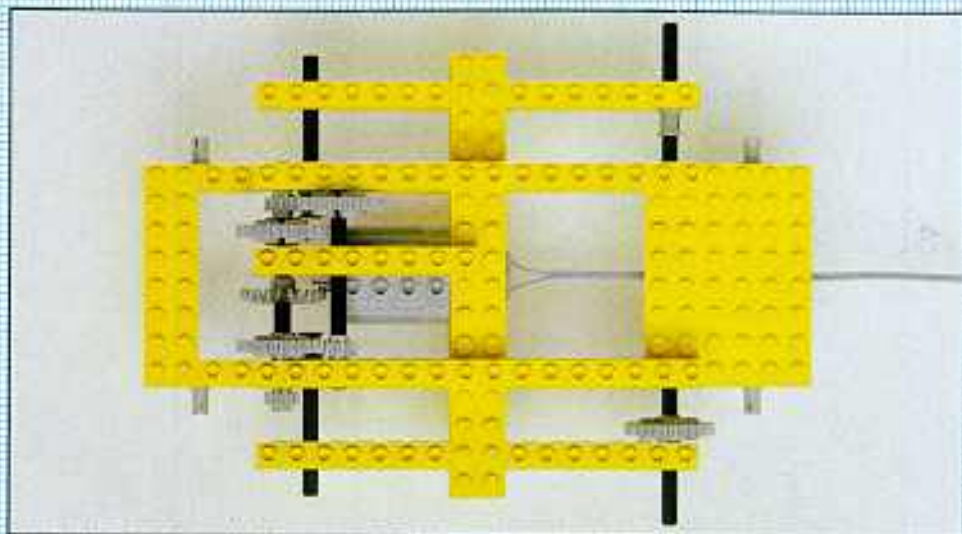


4

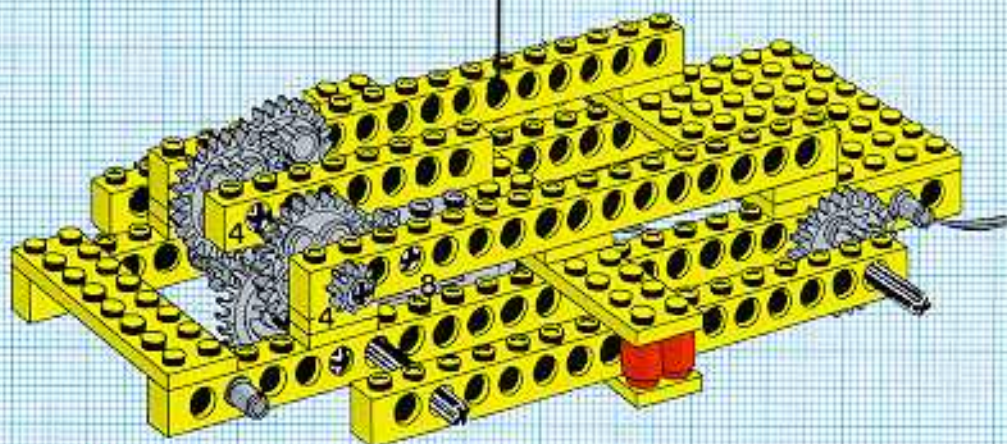


5

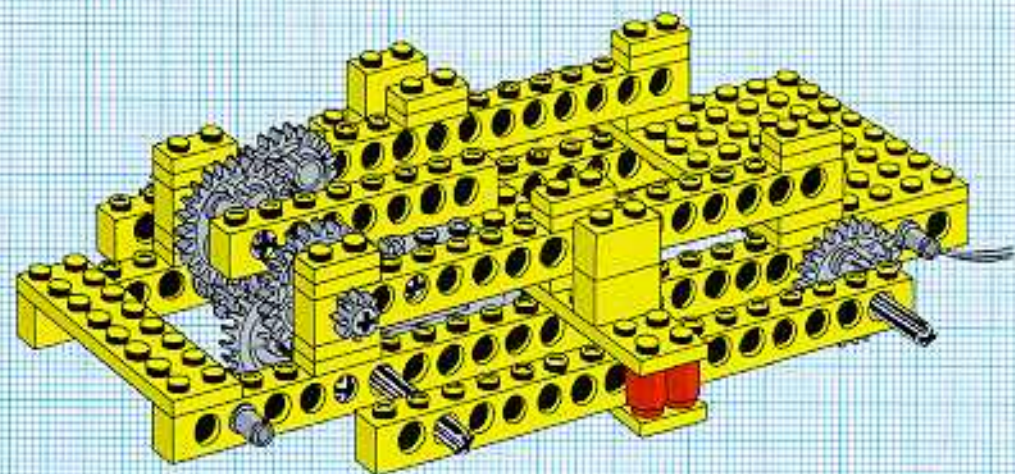




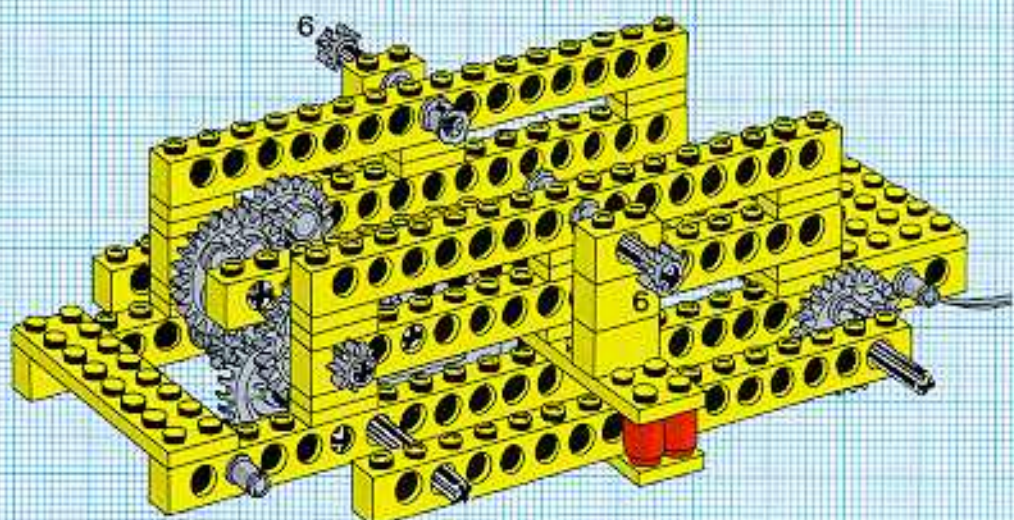
6

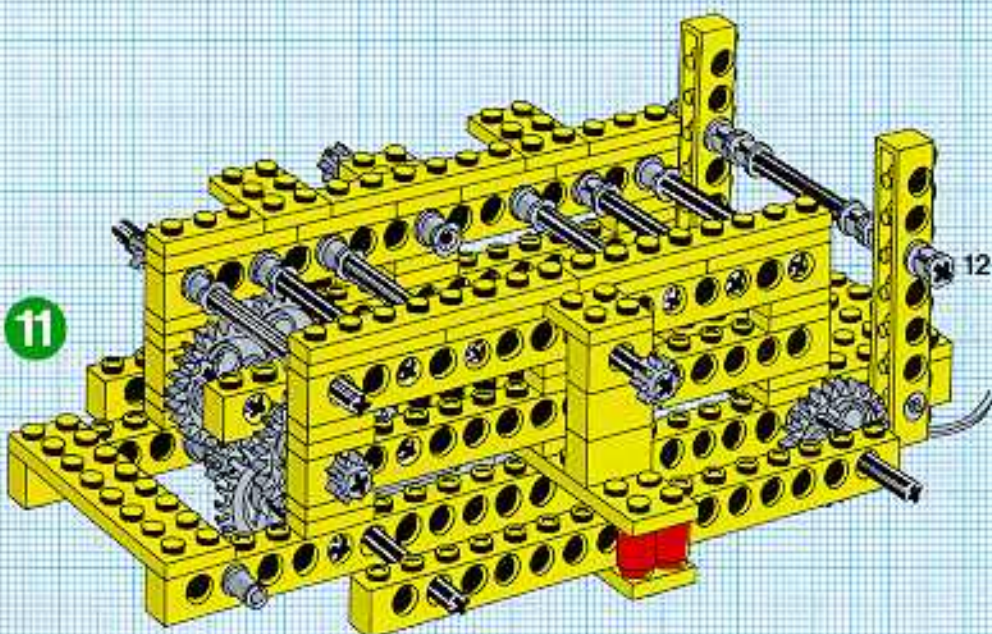
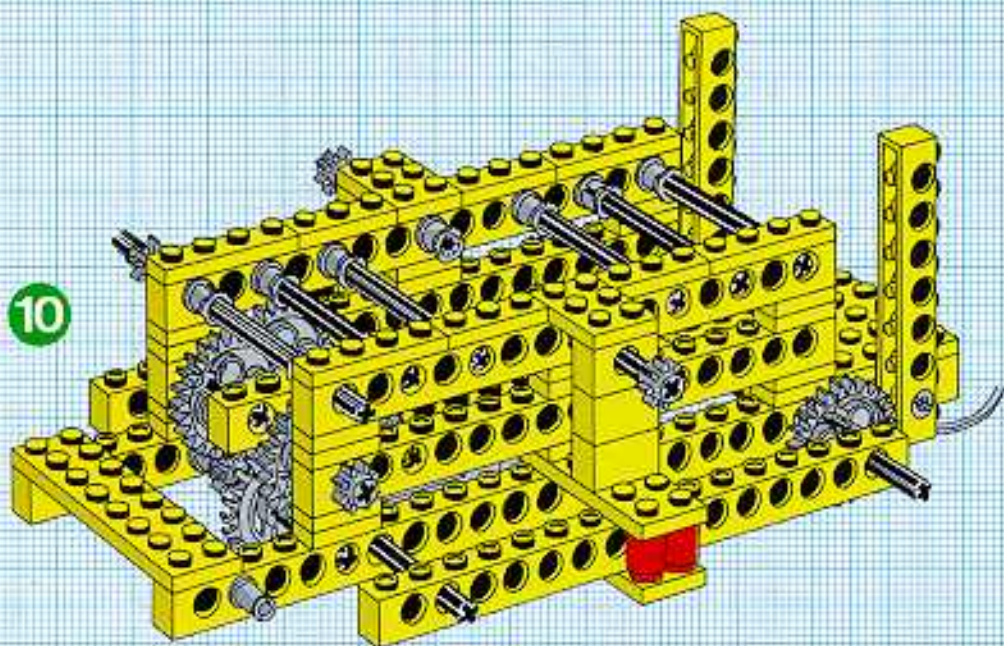
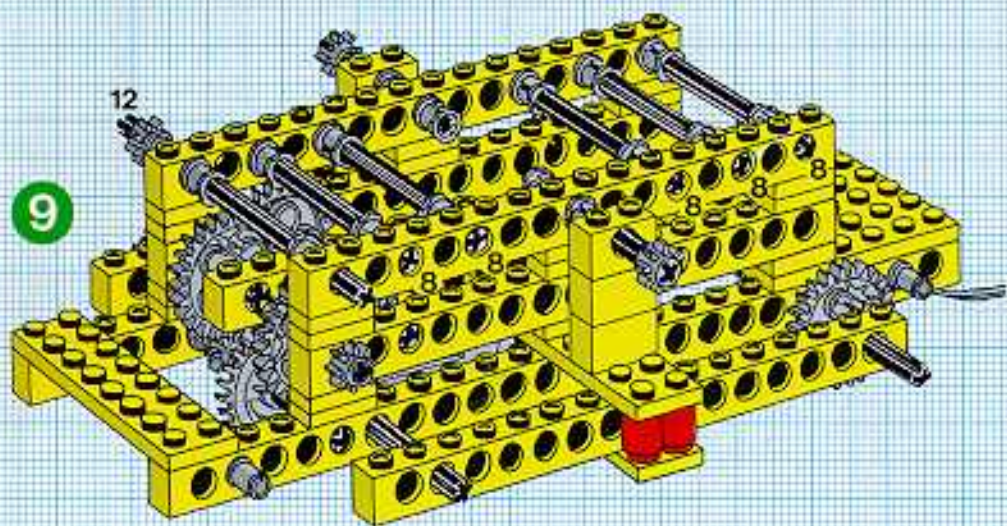


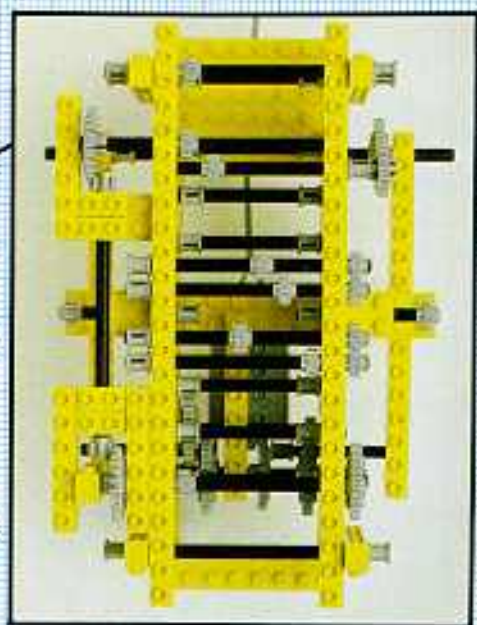
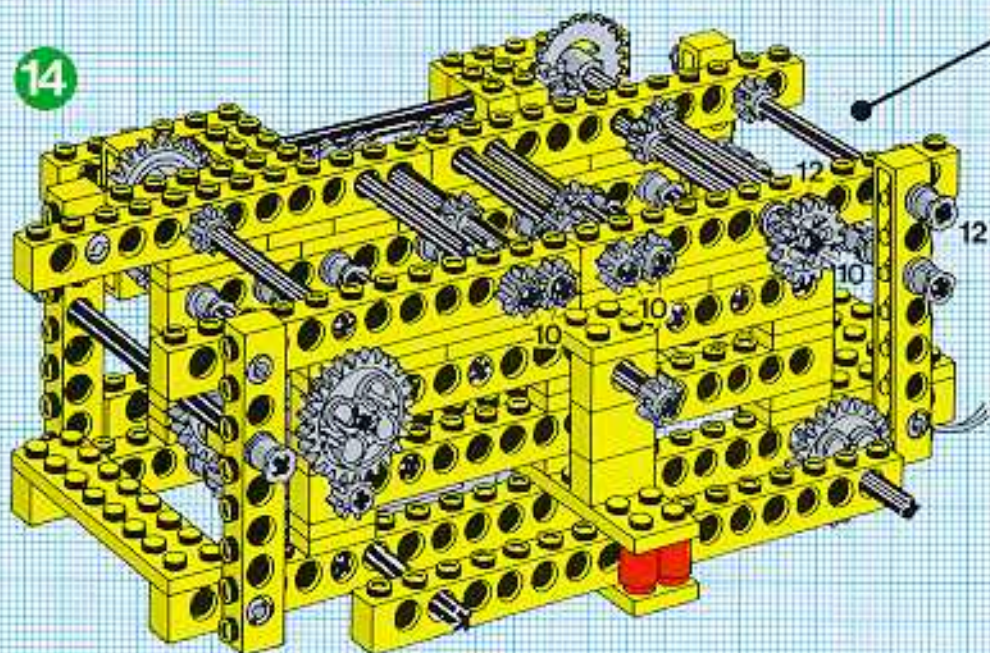
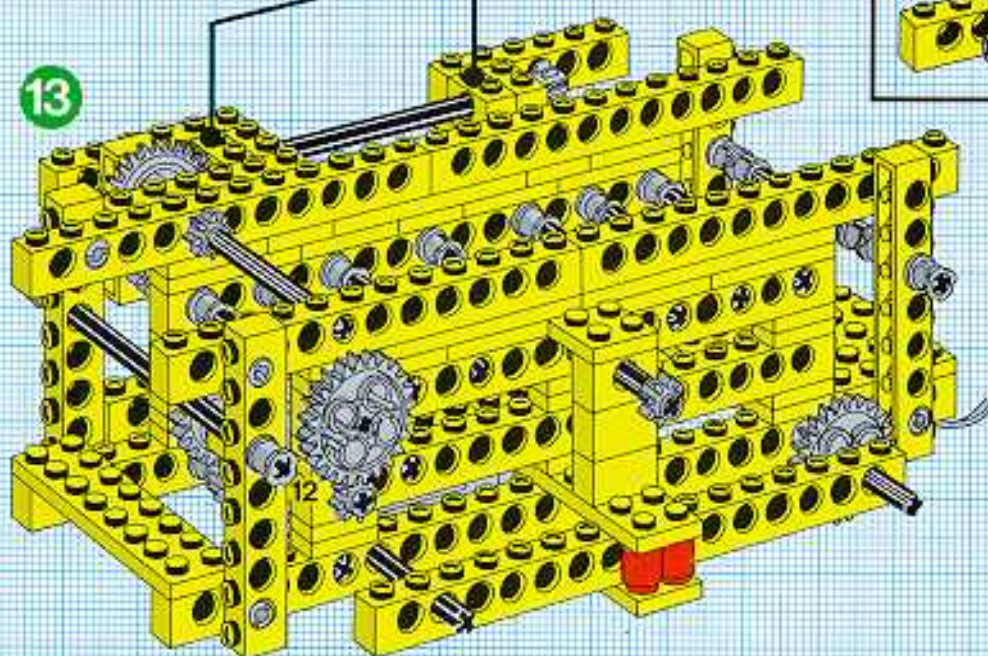
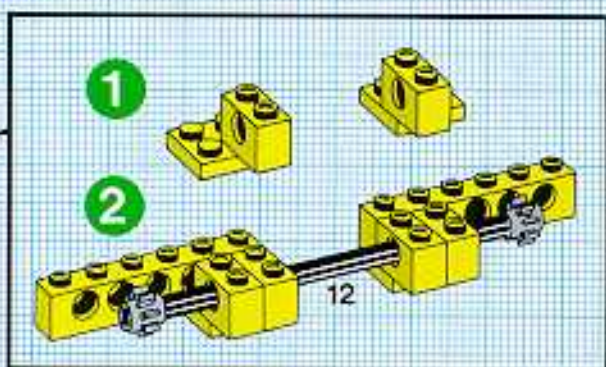
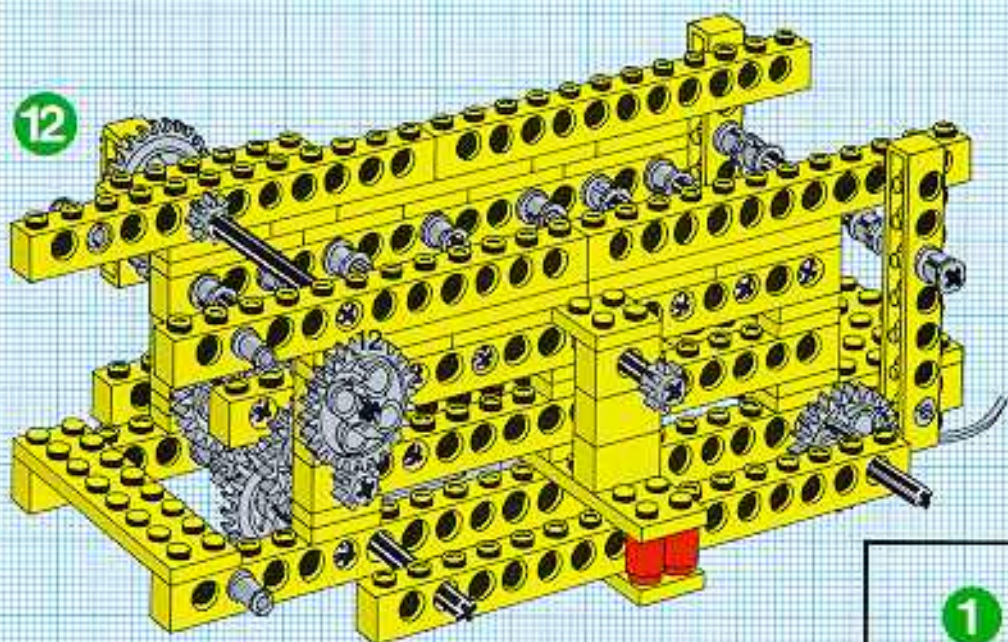
7



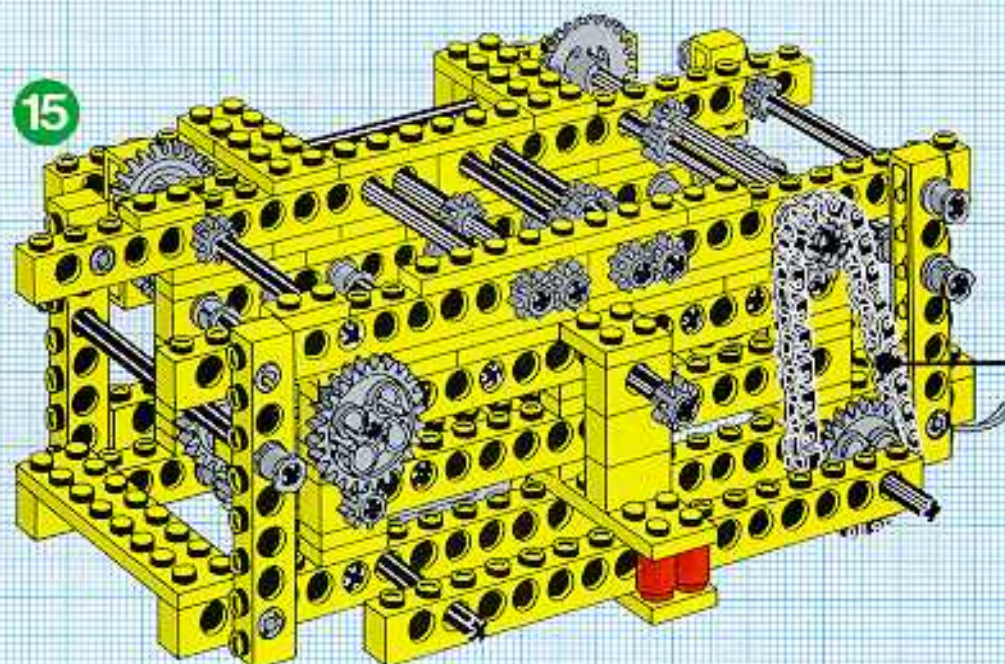
8







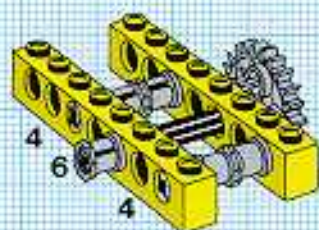
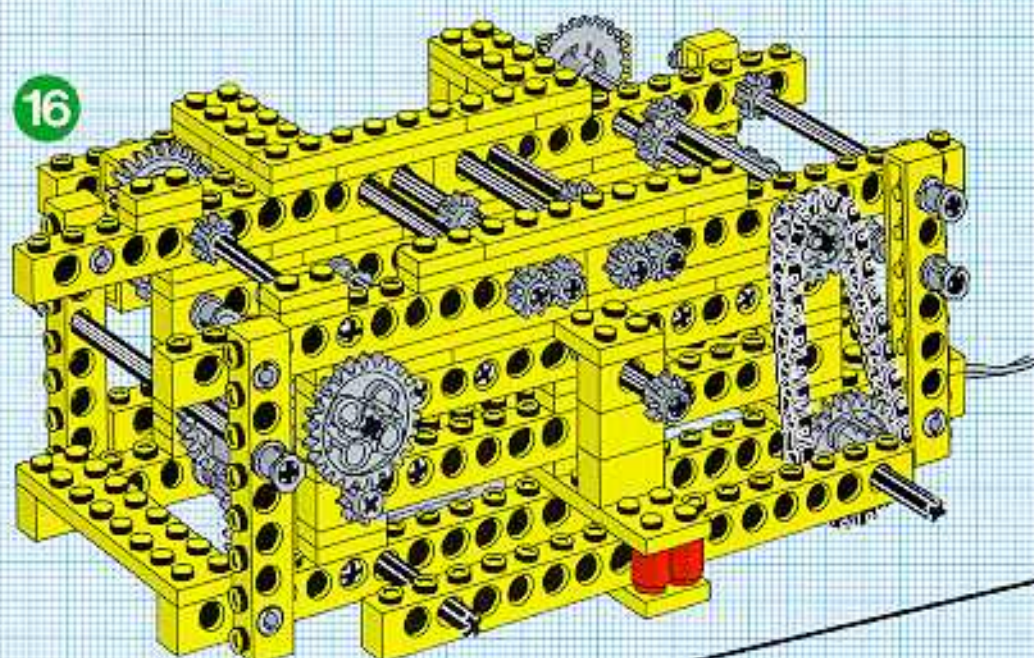
15



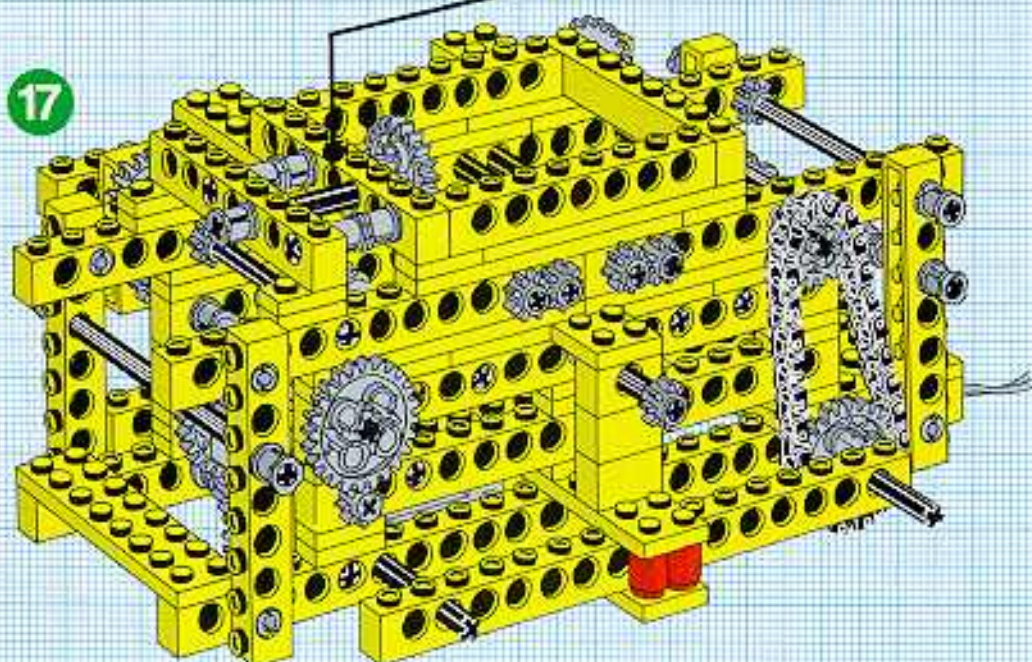
25x



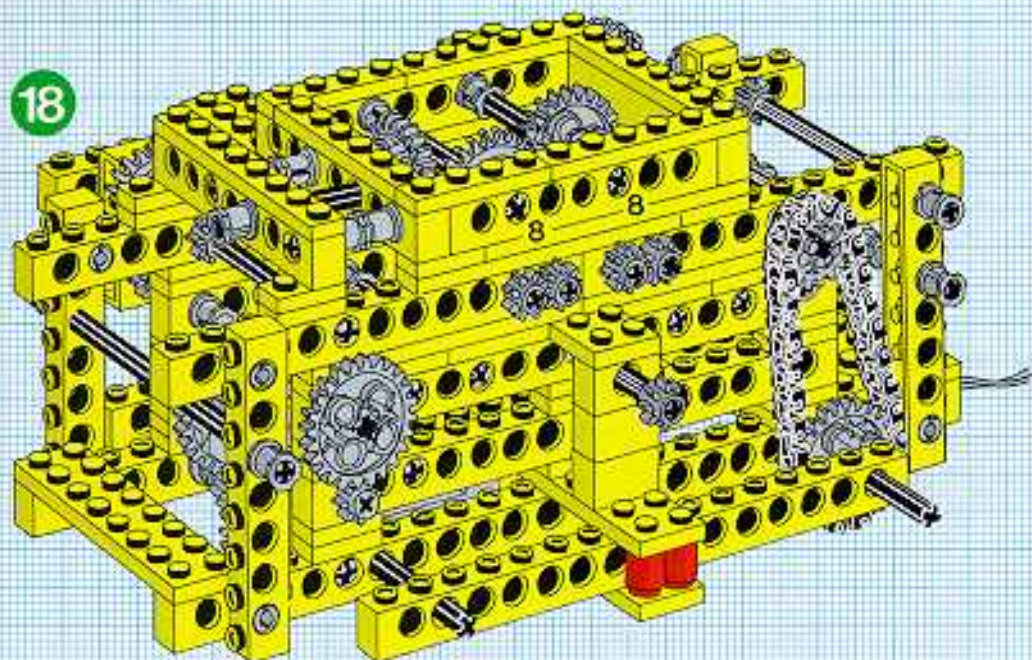
16



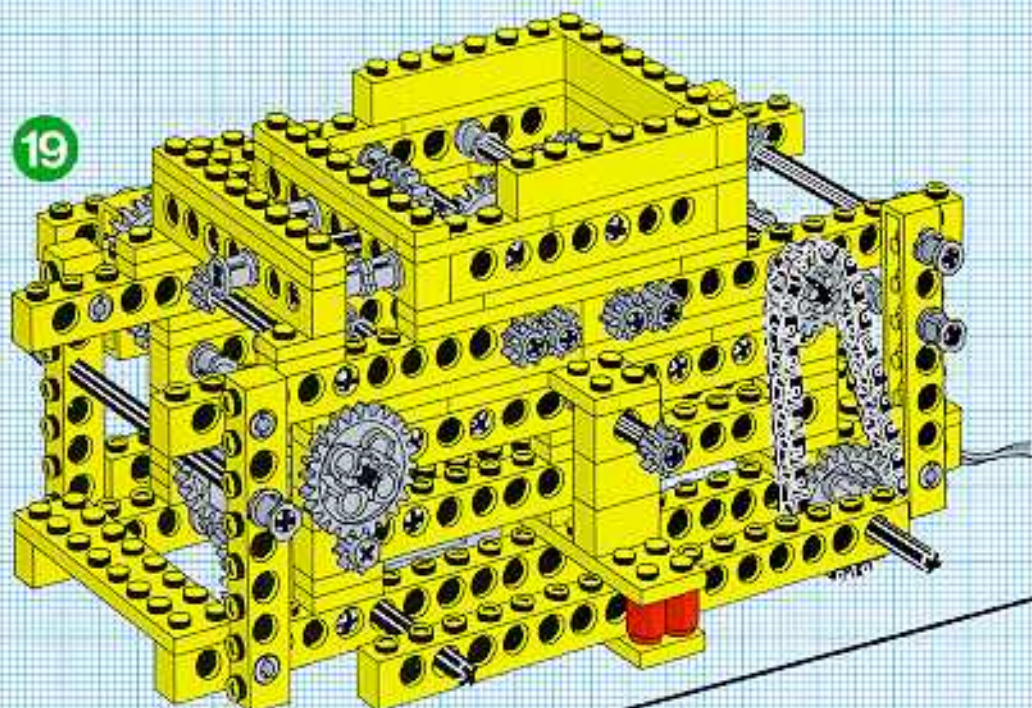
17



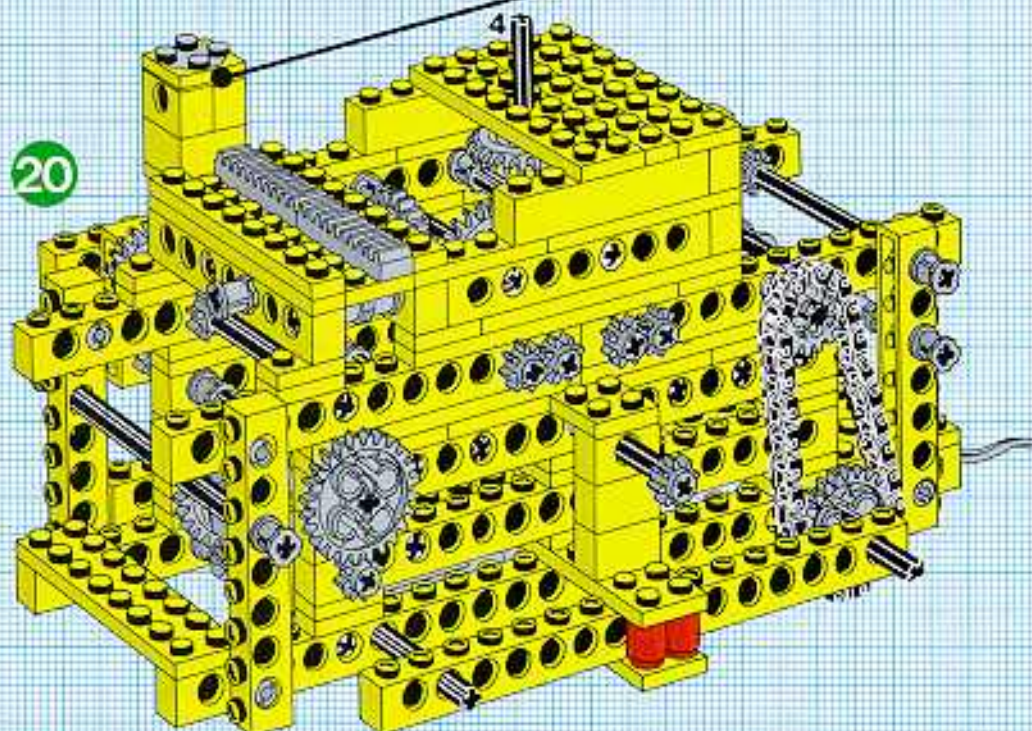
18



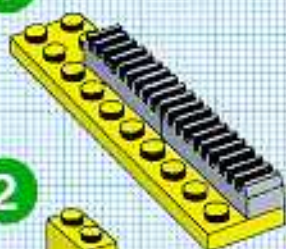
19



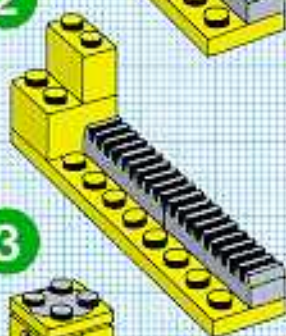
20



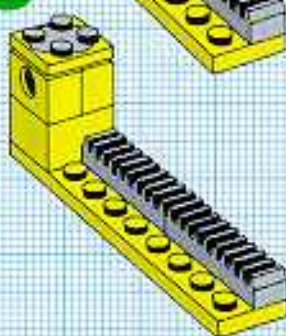
1

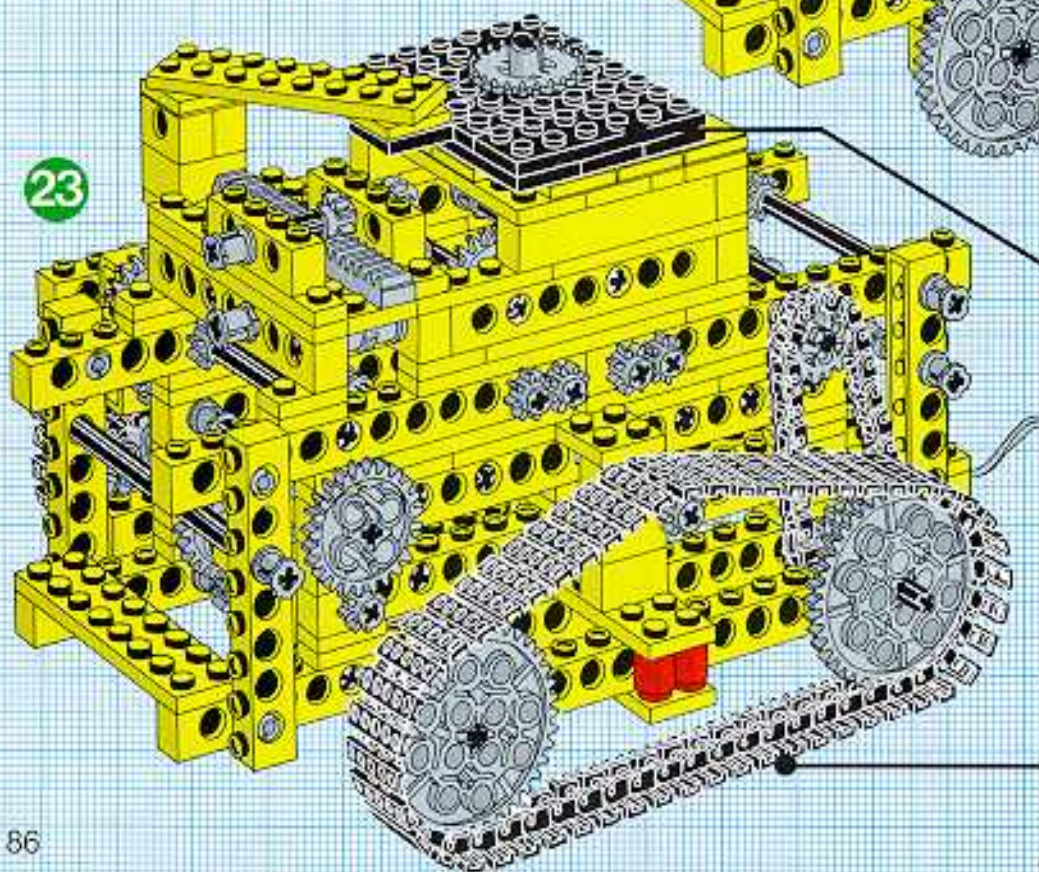
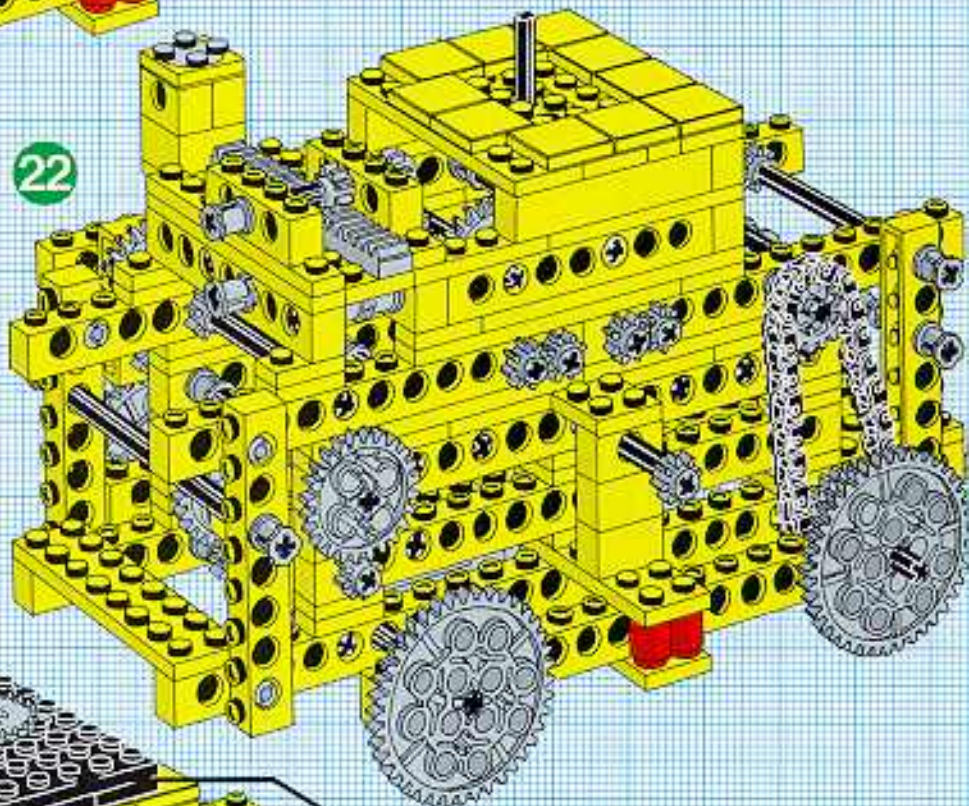
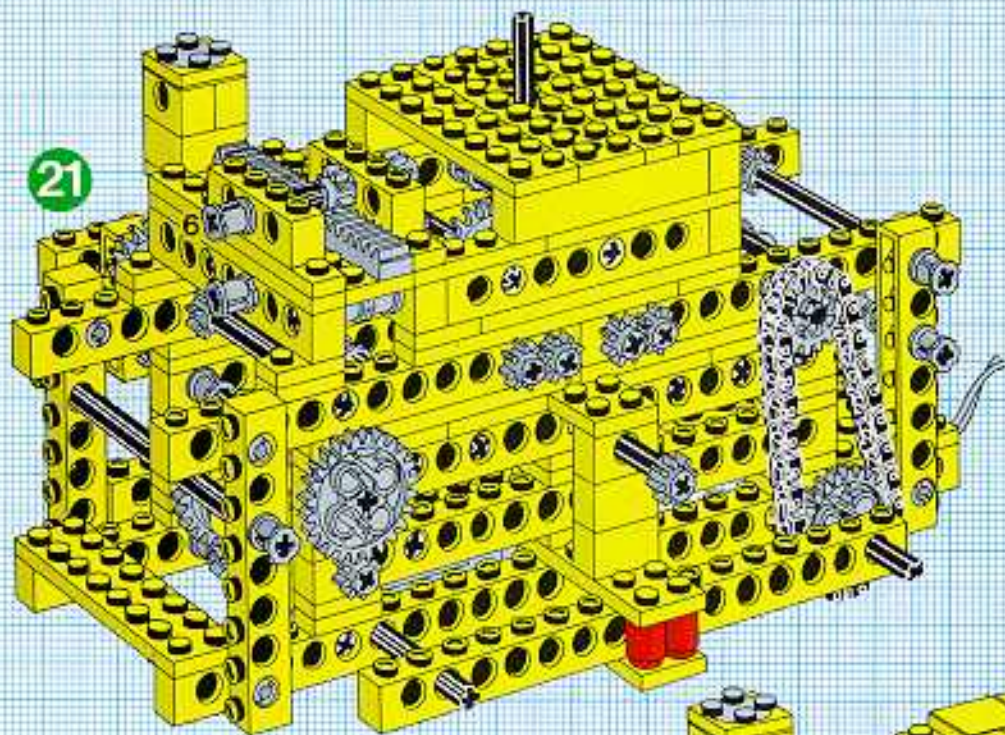


2



3





2x53

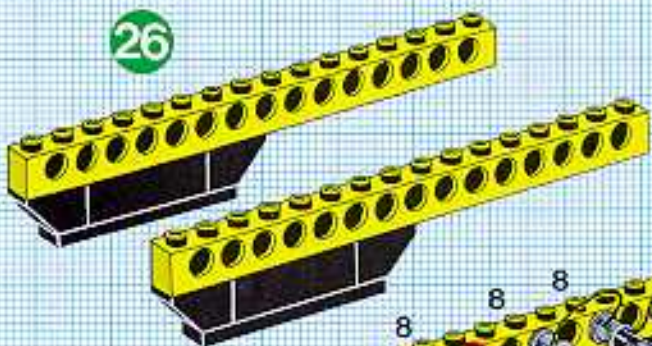
24



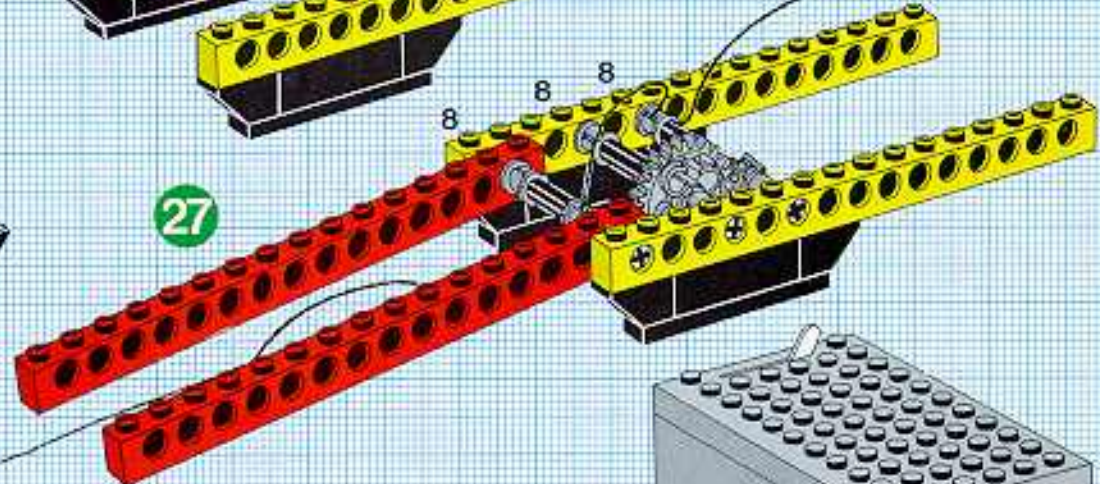
25



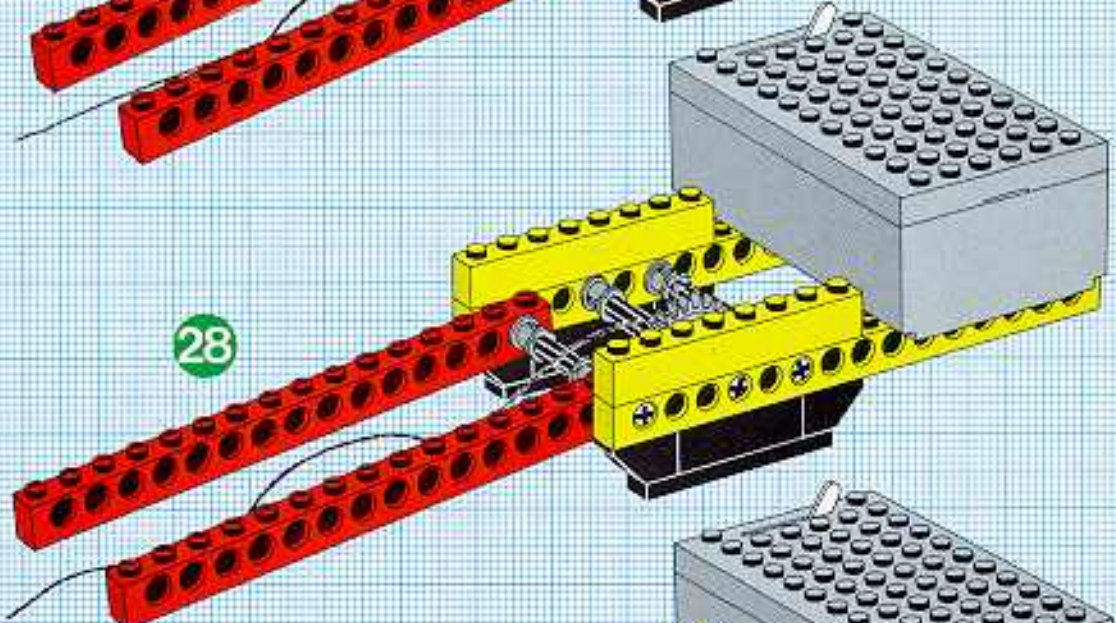
26



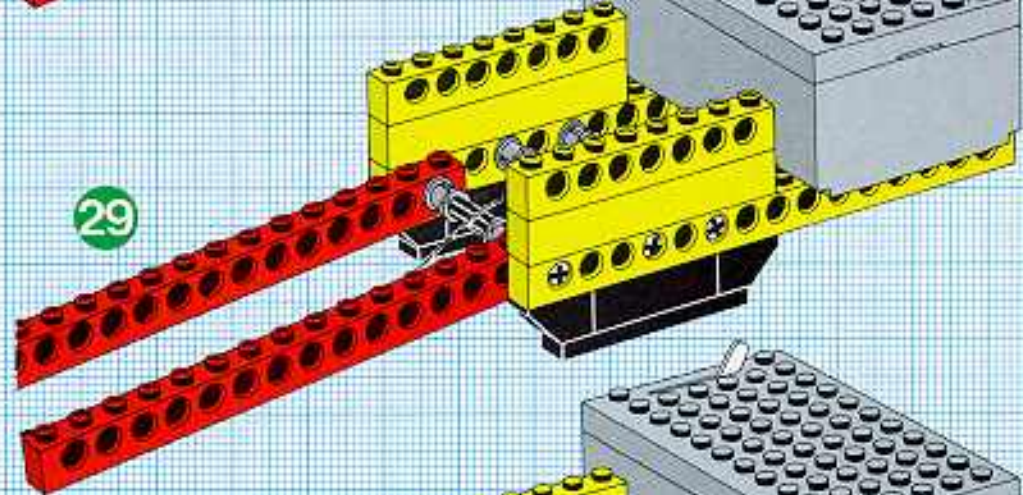
27



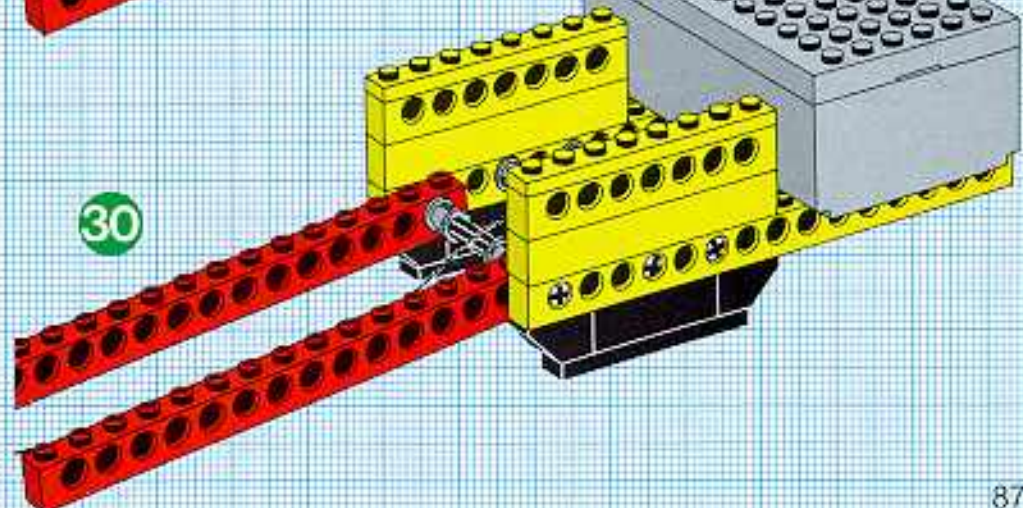
28



29



30



1



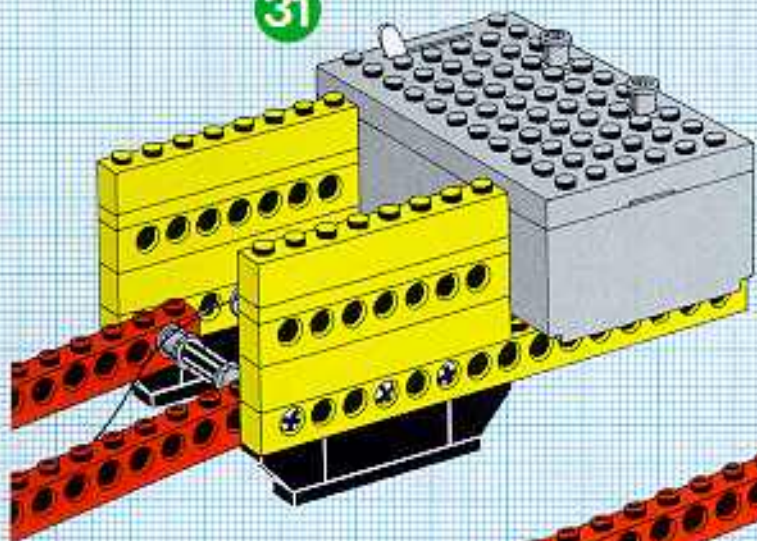
2



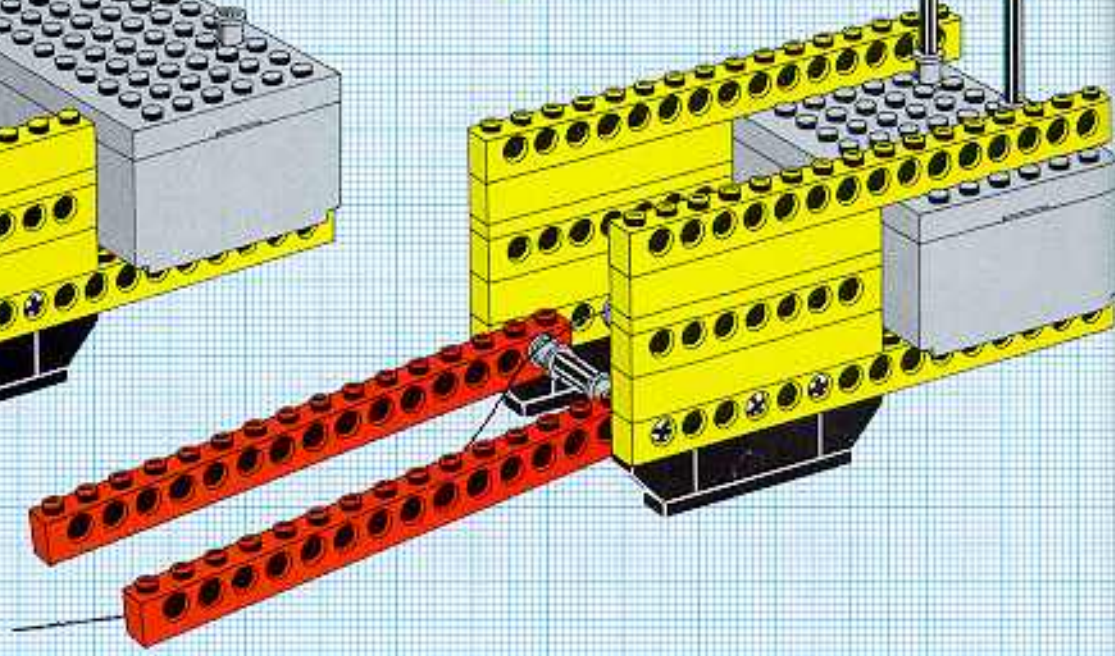
3



31



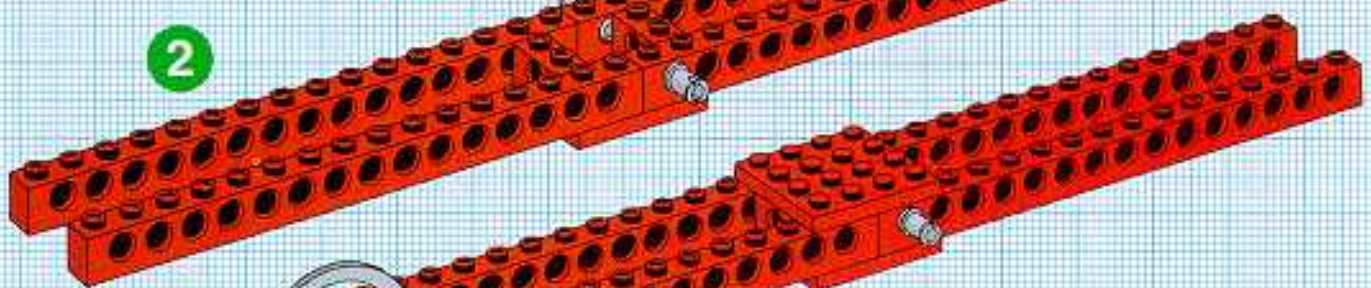
32



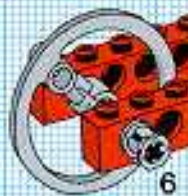
1



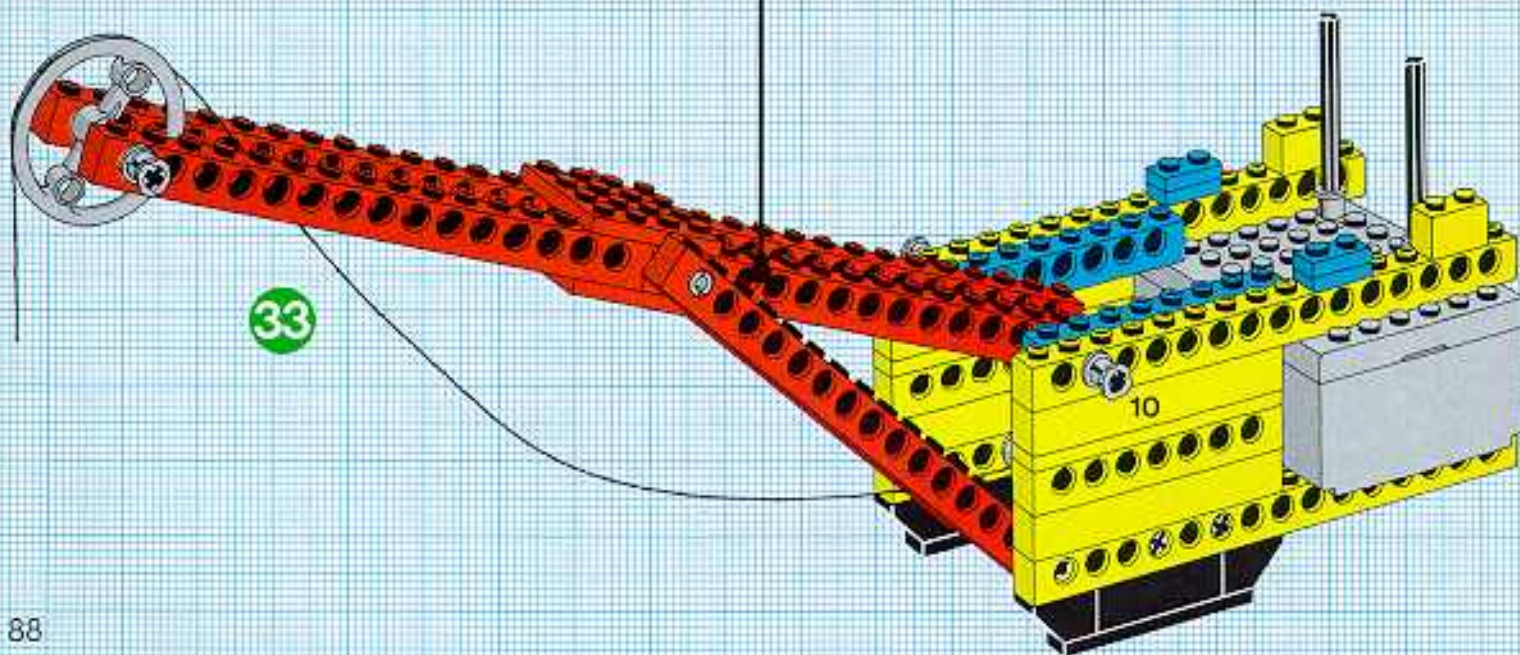
2

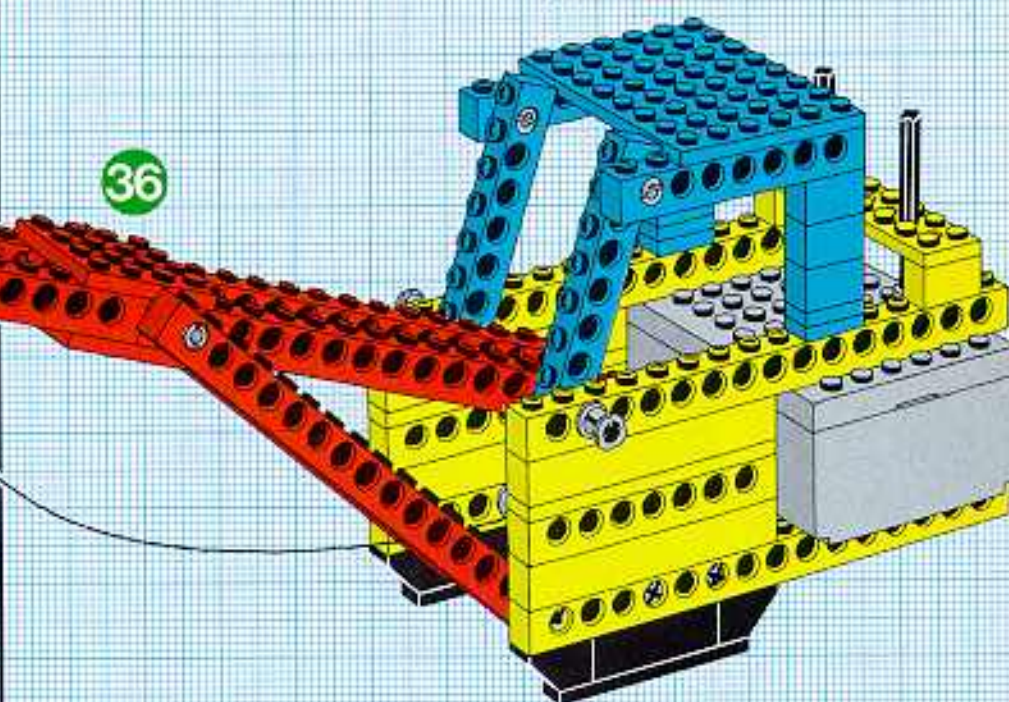
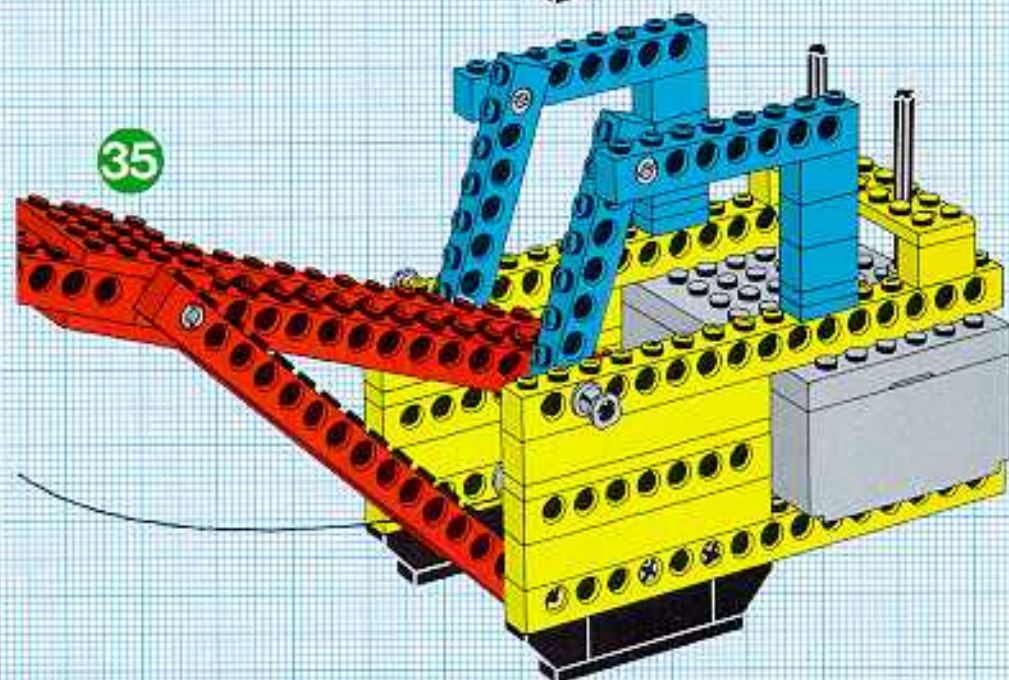
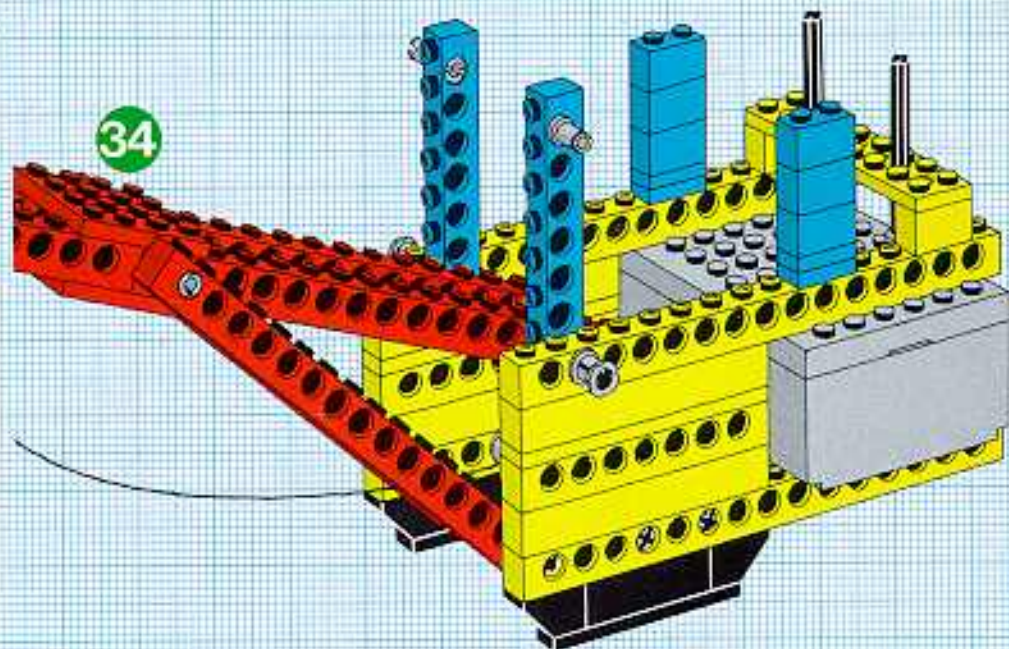
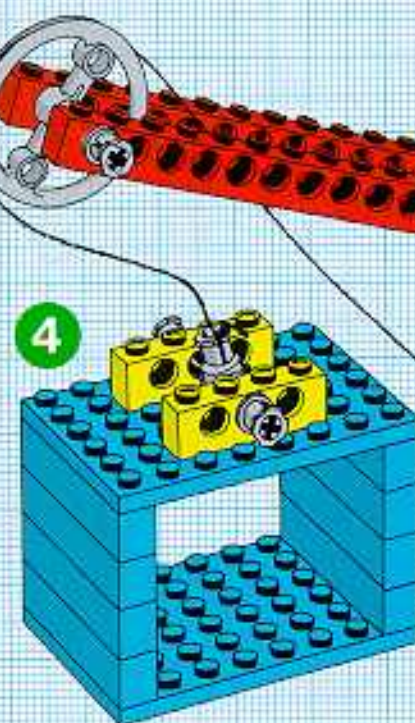
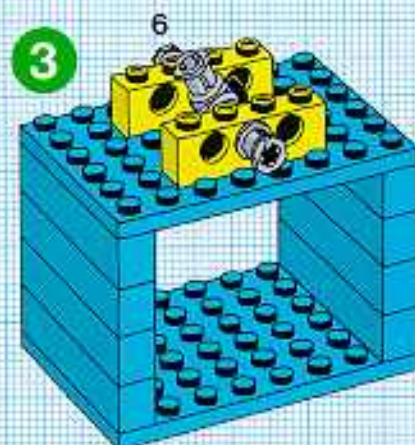
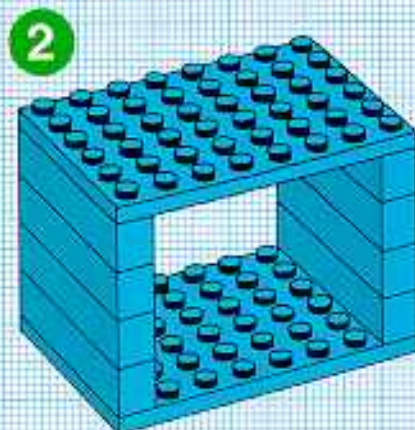
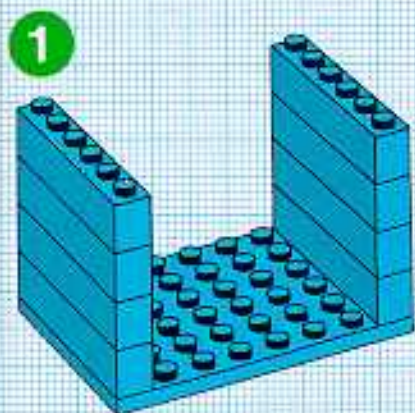


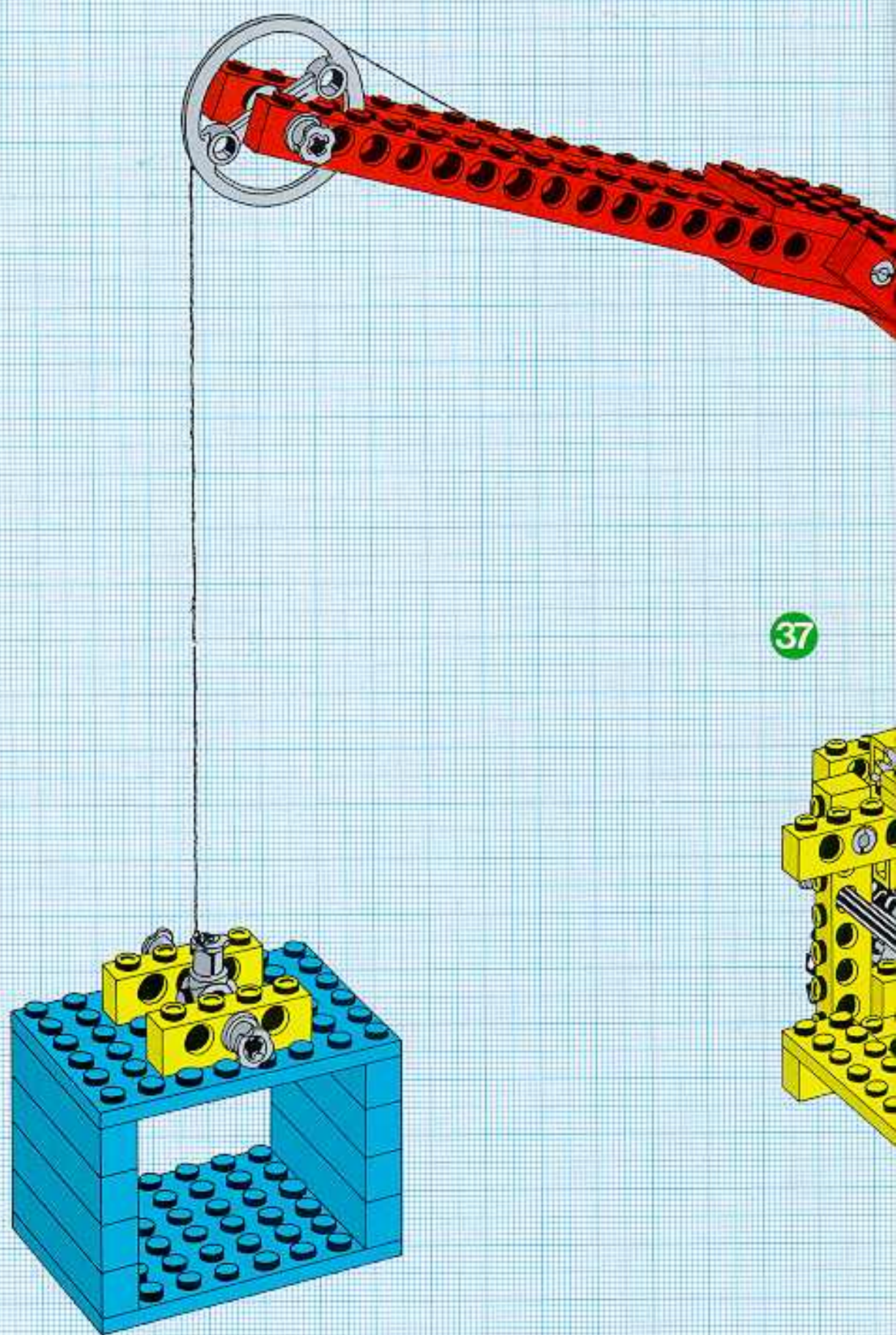
3



33







37

